

Part No.: TC-180400-30K

30dB Directional Coupler 2.92 Female 50Ω 18-40 GHz

Electrical:

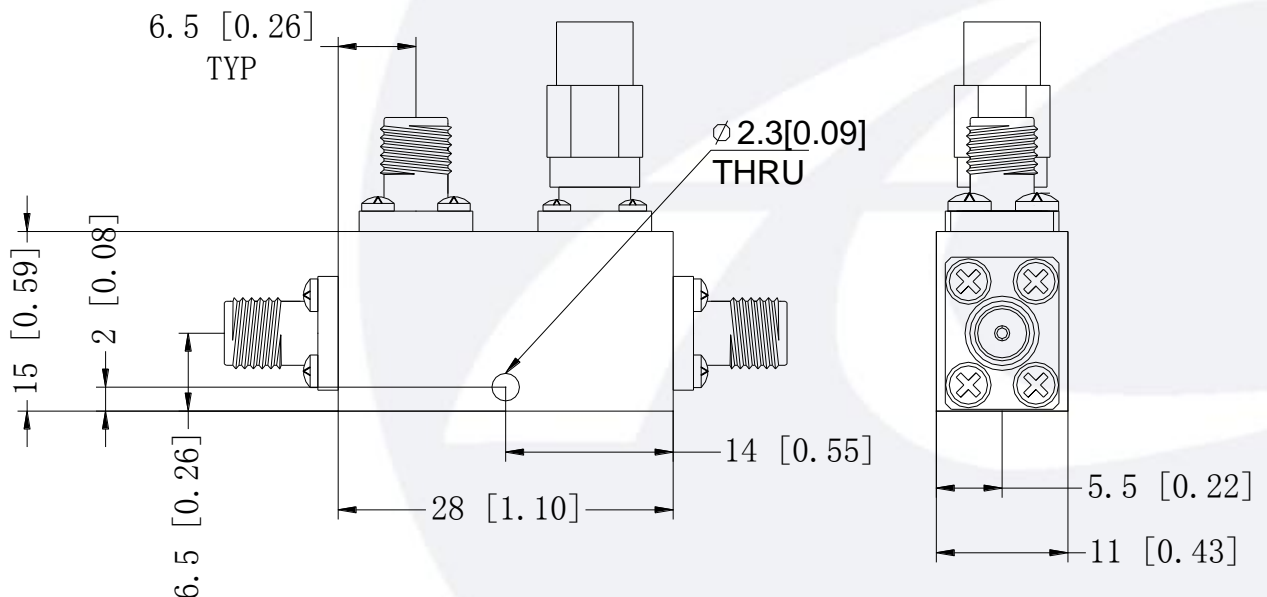
Frequency Range:	18-40 GHz
Coupling::	30± 1.0 db
Insertion Loss:	1.0db typ, 1.2db max
Directivity: :	12db typ, 10db min
VSWR:	1.7 max
Power Handling:	30 Watt
Impedance:	50 OHMS

Mechanical:

Temperature Range:	-45° C - +85° C
Connectors:	2.92-Female
Relative Humidity:	0 ~ 90%

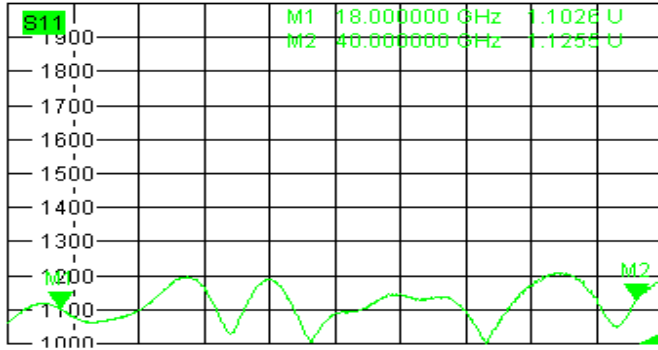
Outline Drawing:

Unit: mm



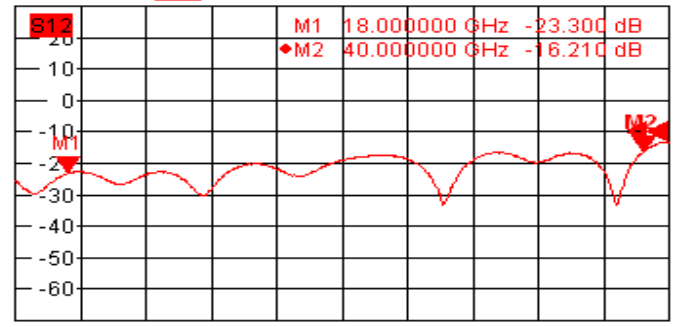


Trc1 **S11** SWR 100 mU/ Ref1 U Cal 1



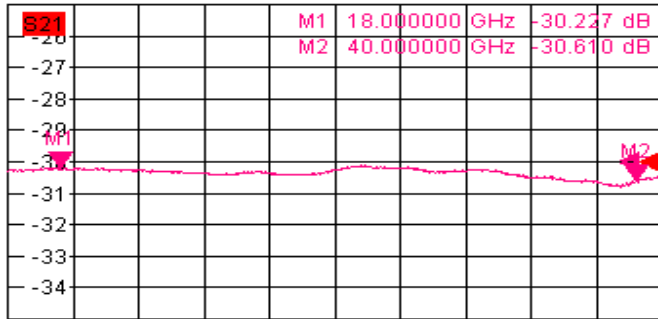
Ch1 fb Start 16 GHz Pb 0 dBm Stop 41 GHz

Trc2 **S12** dB Mag 10 dB / Ref-10 dB Cal Math 2
Mem5[Trc2] **S12** dB Mag 10 dB / Ref-10 dB Invisible



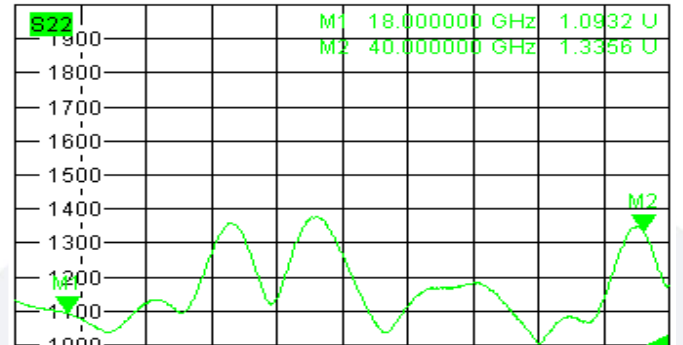
Ch1 fb Start 16 GHz Pb 0 dBm Stop 41 GHz

Trc3 **S21** dB Mag 1 dB / Ref-30 dB Invisible 3
Mem6[Trc3] **S21** dB Mag 1 dB / Ref-30 dB



Ch1 fb Start 16 GHz Pb 0 dBm Stop 41 GHz

Trc4 **S22** SWR 100 mU/ Ref1 U Cal 4



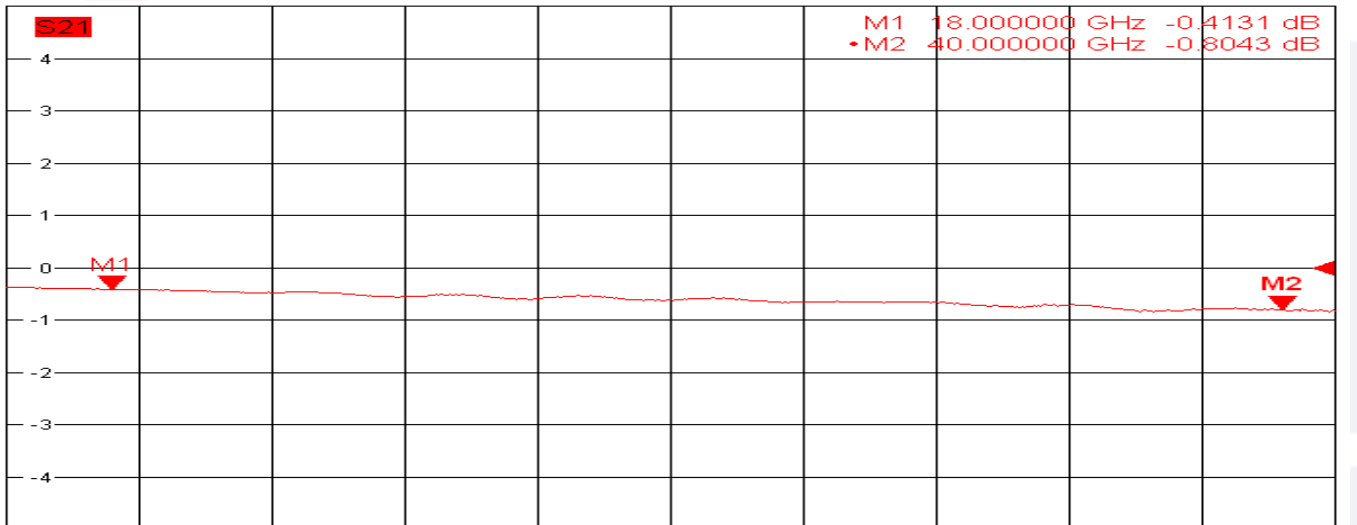
Ch1 fb Start 16 GHz Pb 0 dBm Stop 41 GHz

9/5/2019, 5:44 AM



Trc3 **S21** dB Mag 1 dB / Ref 0 dB Cal

3 (Max)



Ch1 fb Start 16 GHz

Pb 0 dBm

Stop 41 GHz

9/5/2019, 5:46 AM