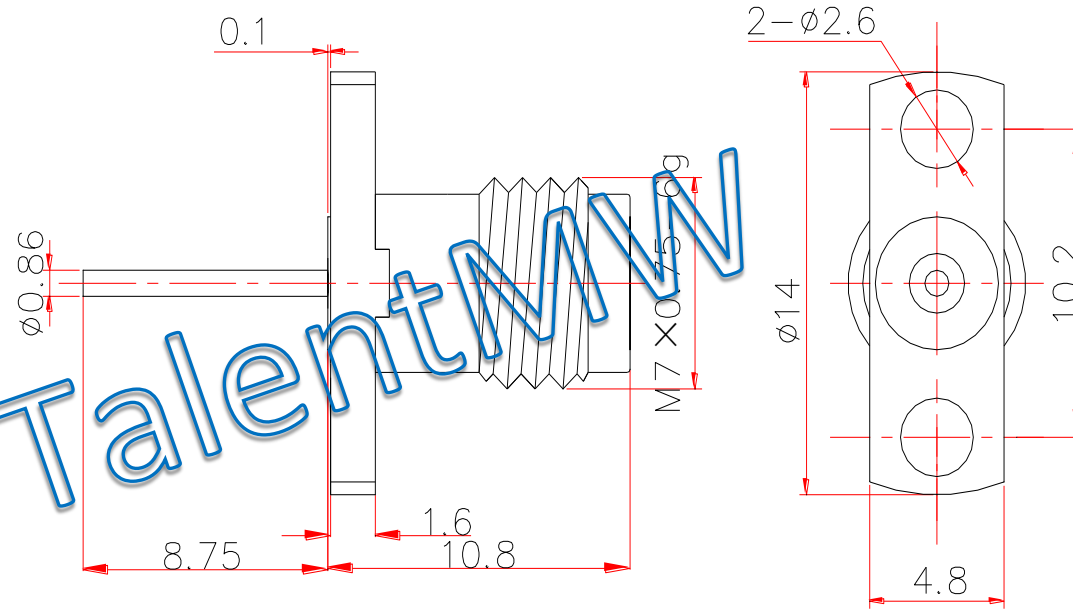


TalentMW



### Electrical & Environmental Characteristics

Impedance	50 Ohm
Insulation Resistance	3000 M $\Omega$
Operating Frequency	50GHz
Dielectric Withstanding Voltage	750 V
VSWR	1.15
Insertion Loss	0.05* $\sqrt{f\_GHz}$
Operating Temperature	-55~+165 $^{\circ}C$

### Material & Coat-Plating

Inner Conductor	Beryllium Copper, Gold
Dielectric	PEI
Body	Stainless Steel, Passivated
Coupling Nut	N/A

THIS DRAWING IS A CONTROLLED DOCUMENT		DWN	Suzhou Talent Microwave, Inc			
		CHK				
Unit mm	TOLERANCES UNLESS OTHERWISE SPECIFIED 0 PLC $\pm 0.25$ 1 PLC $\pm 0.15$ 2 PLC $\pm 0.12$ 3 PLC $\pm$ 3 PLC $\pm$ ANGLES $\pm 1^{\circ}$	APVD	Product Mode  <b>2.4-KFD50534</b> <b>2.4 Female Flange Connector</b>			
		PRODUCT SPEC				
		APPLICATION SPEC				
MATERIAL SEE TABLE	FINISH SEE TABLE	WEIGHT	SIZE A4	GAGE CODE 0T8L4	DRAWING NO	
		CUSTOMER DRAWING	SCALE 4:	SCALE 4: 1	SHEET 1 OF 1	RVE 1