

Part No.: RS2W0560-S

Power divider/Combiner 2 Way SMA 50Ω 0.5 to 6.0 GHz

电气特性 Electrical:

工作频率 Frequency Range:	0.5-6.0GHz
插入损耗 Insertion Loss:	≤1.1dB
驻波 VSWR:	≤1.30 : 1 (Max)
隔离 Isolation:	≥18dB
幅度平衡 Amplitude Balance:	≤±0.3dB
相位平衡 Phase Balance:	≤±5°
耐功率 Power Handling:	≤30Watt
阻抗 Impedance:	50 OHMS

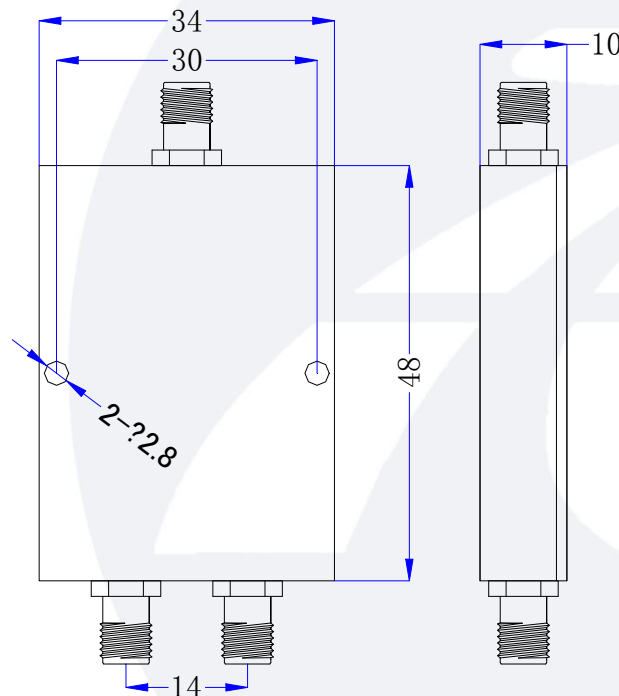


机械特性 Mechanical:

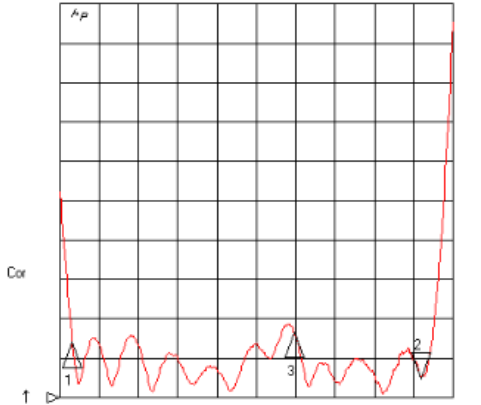
温度范围 Temperature Range:	-55° C - +85° C
接口 Connectors:	SMA-Female
相对湿度 Relative Humidity:	0 ~ 90%

外形尺寸 Outline Drawing:

Unit: mm



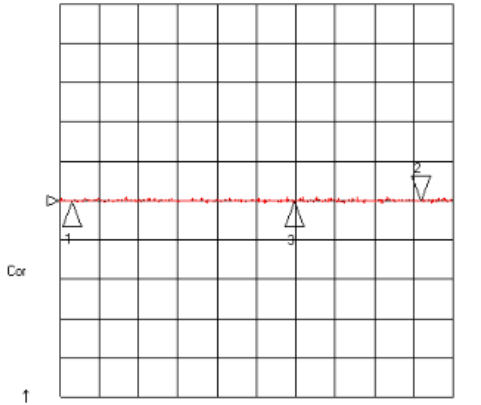
CH1 SWR 100 m / REF 1
S11 2 : 1.0501 6.000 000 000 GHz



CH1 Markers
1 : 1.1409
500 .000 MHz
3 : 1.1659
3.99741 GHz

START 300 .000 MHz STOP 6500 .000 MHz

CH3 LDG .3 dB / REF 0 dB
S12/M 2 : -.00100 dB 6.000 000 000 GHz

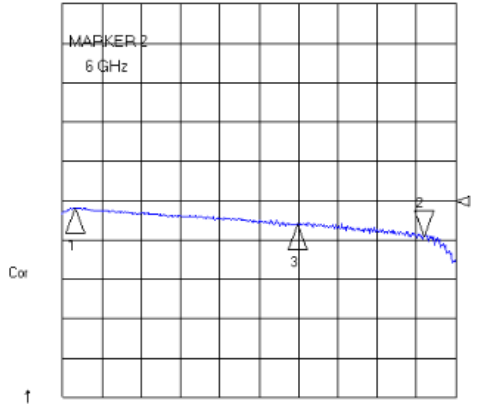


CH3 Markers
1 : .00500 dB
500 .000 MHz
3 : .00900 dB
3.99741 GHz

START 2002-1-1 00:16:15

7 May 2020 02:55:05

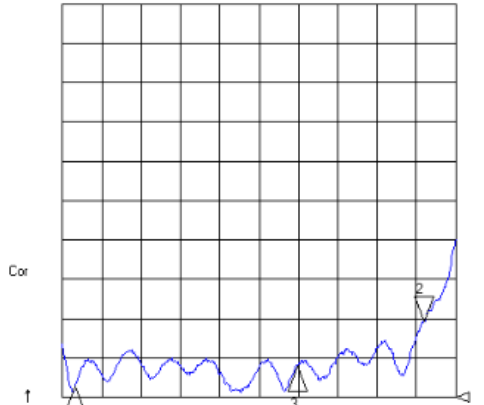
CH2 LOG 1.1 dB / REF -3 dB
S21/M 2 : -3.9840 dB 6.000 000 000 GHz



CH2 Markers
1 : -3.2010 dB
500 .000 MHz
3 : -3.6480 dB
3.99741 GHz

START 300 .000 MHz STOP 6500 .000 MHz

CH4 SWR 100 m / REF 1
S22 2 : 1.1940 6.000 000 000 GHz



CH4 Markers
1 : 1.0282
500 .000 MHz
3 : 1.0815
3.99741 GHz

START 1 300 .000 MHz STOP 6500 .000 MHz