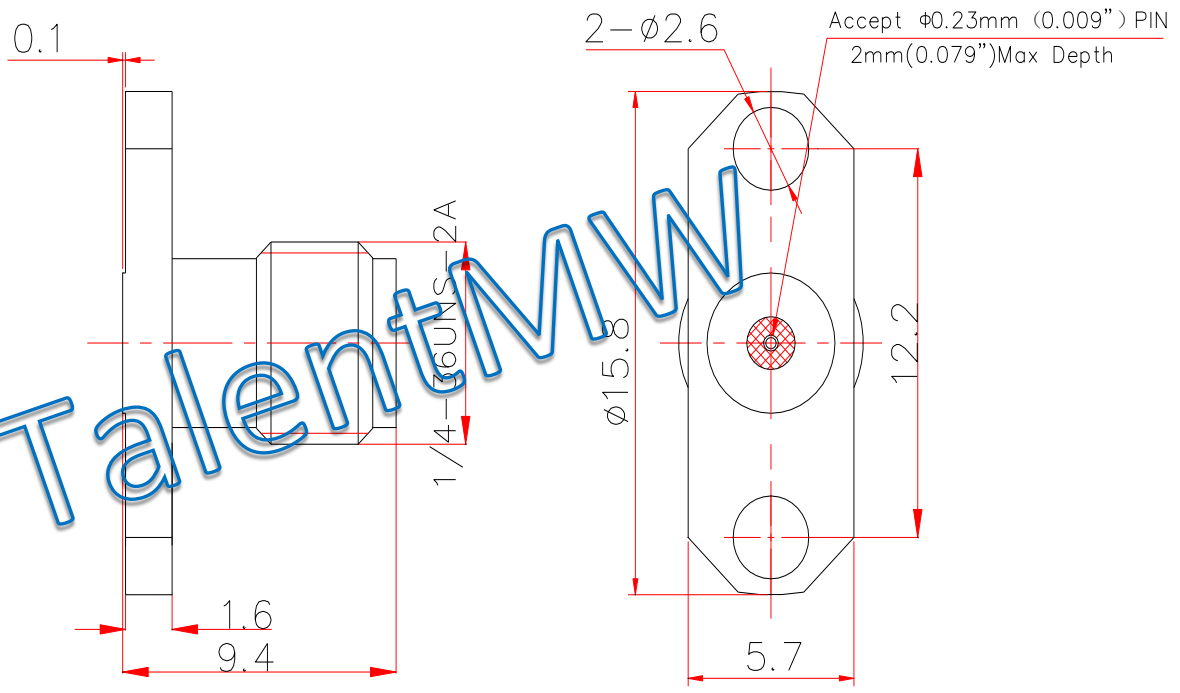


Talentmww



**Electrical & Environmental Characteristics**

Impedance	50 Ohm
Insulation Resistance	5000 M $\Omega$
Operating Frequency	26.5GHz
Dielectric Withstanding Voltage	1000 V
VSWR	1.15
Insertion Loss	0.05* $\text{Sqrt}(f\_GHz)$
Operating Temperature	-55~+165 $^{\circ}\text{C}$

**Material & Coat-Plating**

Inner Conductor	Beryllium Copper, Gold
Dielectric	PTFE
Body	Stainless Steel, Passivated
Coupling Nut	N/A

THIS DRAWING IS A CONTROLLED DOCUMENT		DWN	Suzhou Talent Microwave, Inc			
		CHK				
Unit mm	TOLERANCES UNLESS OTHERWISE SPECIFIED 0 PLC $\pm 0.25$ 1 PLC $\pm 0.15$ 2 PLC $\pm 0.12$ 3 PLC $\pm$ 3 PLC $\pm$ ANGLES $\pm 1^{\circ}$	APVD	Product Mode  <b>SMA-KFD80409</b> SMA Female Flange Connector			
		PRODUCT SPEC				
		APPLICATION SPEC				
MATERIAL SEE TABLE	FINISH SEE TABLE	WEIGHT	SIZE A4	GAGE CODE OT8L4	DRAWING NO	
		CUSTOMER DRAWING	SCALE 4:	SCALE 4: 1	SHEET 1 OF 1	RVE 1