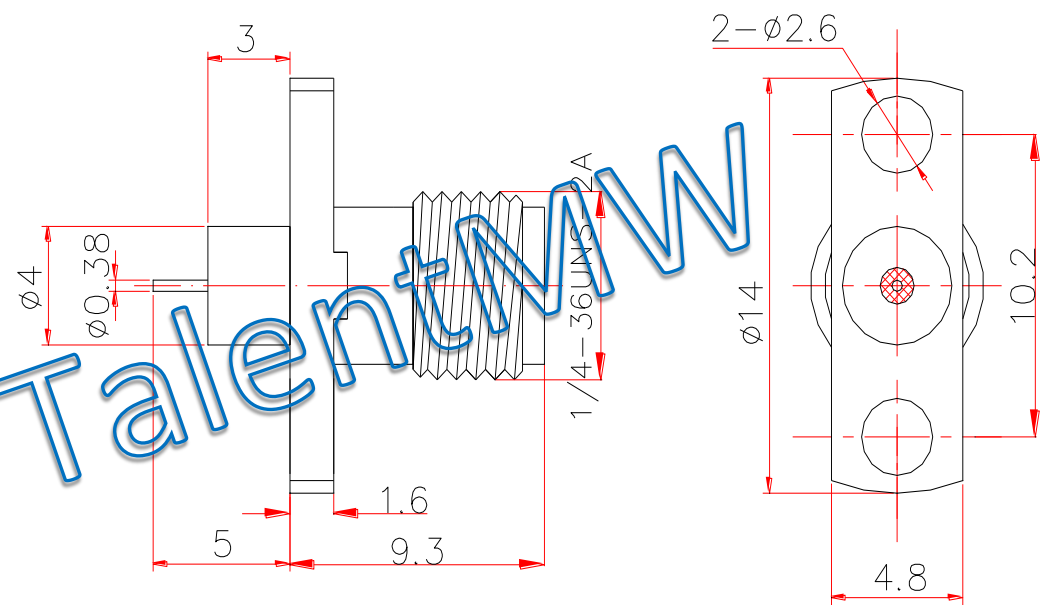


TalentW



**Electrical & Environmental Characteristics**

Impedance	50 Ohm
Insulation Resistance	5000 MΩ
Operating Frequency	26.5GHz
Dielectric Withstanding Voltage	1000 V
VSWR	1.15
Insertion Loss	0.05* $\sqrt{f\_GHz}$
Operating Temperature	-55~+165°C

**Material & Coat-Plating**

Inner Conductor	Beryllium Copper, Gold
Dielectric	PTFE
Body	Stainless Steel, Passivated
Coupling Nut	N/A

THIS DRAWING IS A CONTROLLED DOCUMENT		DWN	Suzhou Talent Microwave, Inc		
		CHK			
Unit mm	TOLERANCES UNLESS OTHERWISE SPECIFIED 0 PLC ±0.25 1 PLC ±0.15 2 PLC ±0.12 3 PLC ± 3 PLC ± ANGLES ±1°	APVD	Product Mode <b>SMA-KFD70502</b> SMA Female Flange Connector		
		PRODUCT SPEC			
		APPLICATION SPEC			
		SIZE	GAGE CODE	DRAWING NO	
MATERIAL SEE TABLE		WEIGHT	A4	OT8L4	
FINISH SEE TABLE		CUSTOMER DRAWING		SCALE 4: 1	SHEET 1 OF 1 RVE 1