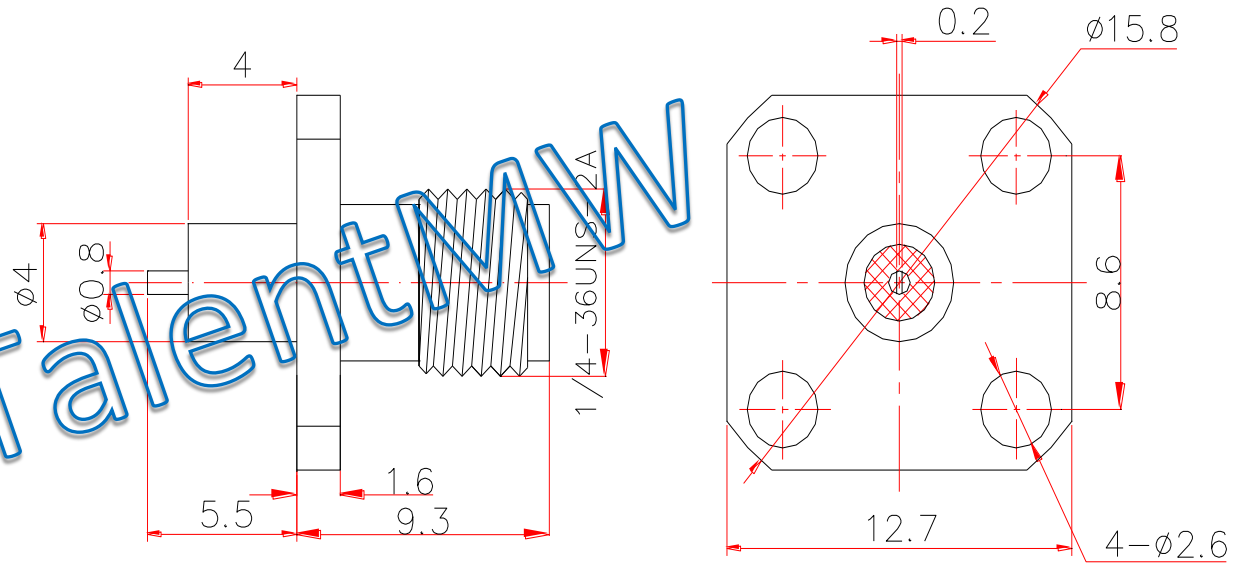


TalentMw



Electrical & Environmental Characteristics

Impedance	50 Ohm
Insulation Resistance	5000 MΩ
Operating Frequency	26.5GHz
Dielectric Withstanding Voltage	1000 V
VSWR	1.15
Insertion Loss	0.05* $\sqrt{f_{GHz}}$
Operating Temperature	-55~+165°C

Material & Coat-Plating

Inner Conductor	Beryllium Copper, Gold
Dielectric	PTFE
Body	Stainless Steel, Passivated
Coupling Nut	N/A

THIS DRAWING IS A CONTROLLED DOCUMENT		DWN	Suzhou Talent Microwave, Inc			
		CHK				
Unit mm	TOLERANCES UNLESS OTHERWISE SPECIFIED 0 PLC ±0.25 1 PLC ±0.15 2 PLC ±0.12 3 PLC ± 3 PLC ± ANGLES ±1°	APVD	Product Mode SMA-KFD70112 SMA Female Flange Connector			
		PRODUCT SPEC				
		APPLICATION SPEC				
		SIZE	GAGE CODE	DRAWING NO		
MATERIAL SEE TABLE		WEIGHT	A4	OT8L4		
FINISH SEE TABLE		CUSTOMER DRAWING		SCALE 4: 1	SHEET 1 OF 1	RVE 1