

Coaxial Fixed Terminations

Product Function and Characteristics

Coaxial Fixed Terminations are used in absorbing energy of RF and Microwave System, they are commonly used as loads of Antenna and Transmitter.

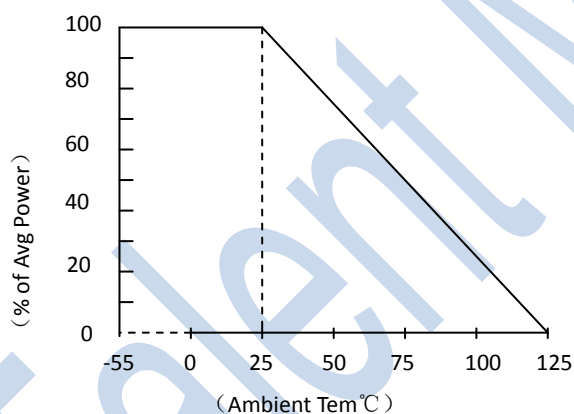
The serial product features include wide frequency band, low VSWR, small dimensions, high power, excellent capacity in anti-burnout etc.

Order Information

TT XXX — XX — XX
 ① ② ③ ④

- ① Type.
- ② Average Power (W)
- ③ Frequency (GHz)
- ④ Connector Type: 2.92

Power Derating Curve Information



The power of termination will change with ambient temperatures. At higher temperatures the power will descending linearly.

Temperature Characteristic Information

Operation Temperature: $-55^{\circ}\text{C} \sim +125^{\circ}\text{C}$

Storage Temperature: $-55^{\circ}\text{C} \sim +125^{\circ}\text{C}$

Our company has strong ability of design and test, as for other production with special request, all can be designed and produced specially, supplying the goods by negotiating.

Product Reference Guide

Model Number: TT50-40-2.92

Average Power: 50W

Connection Type: 2.92

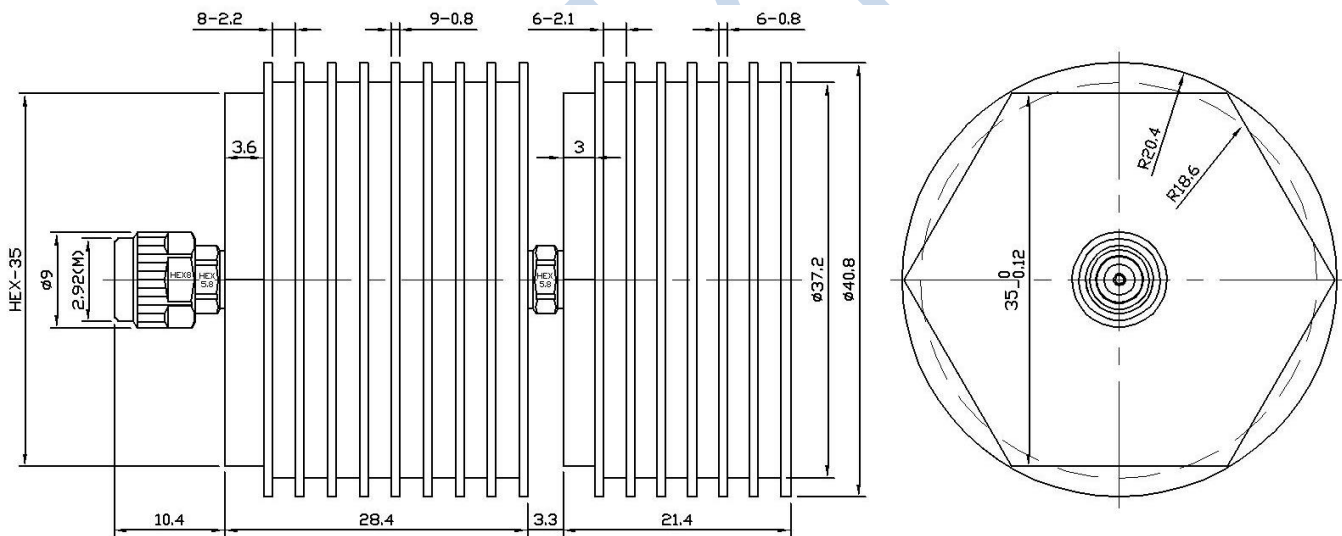
Temperature: -55 to +125C

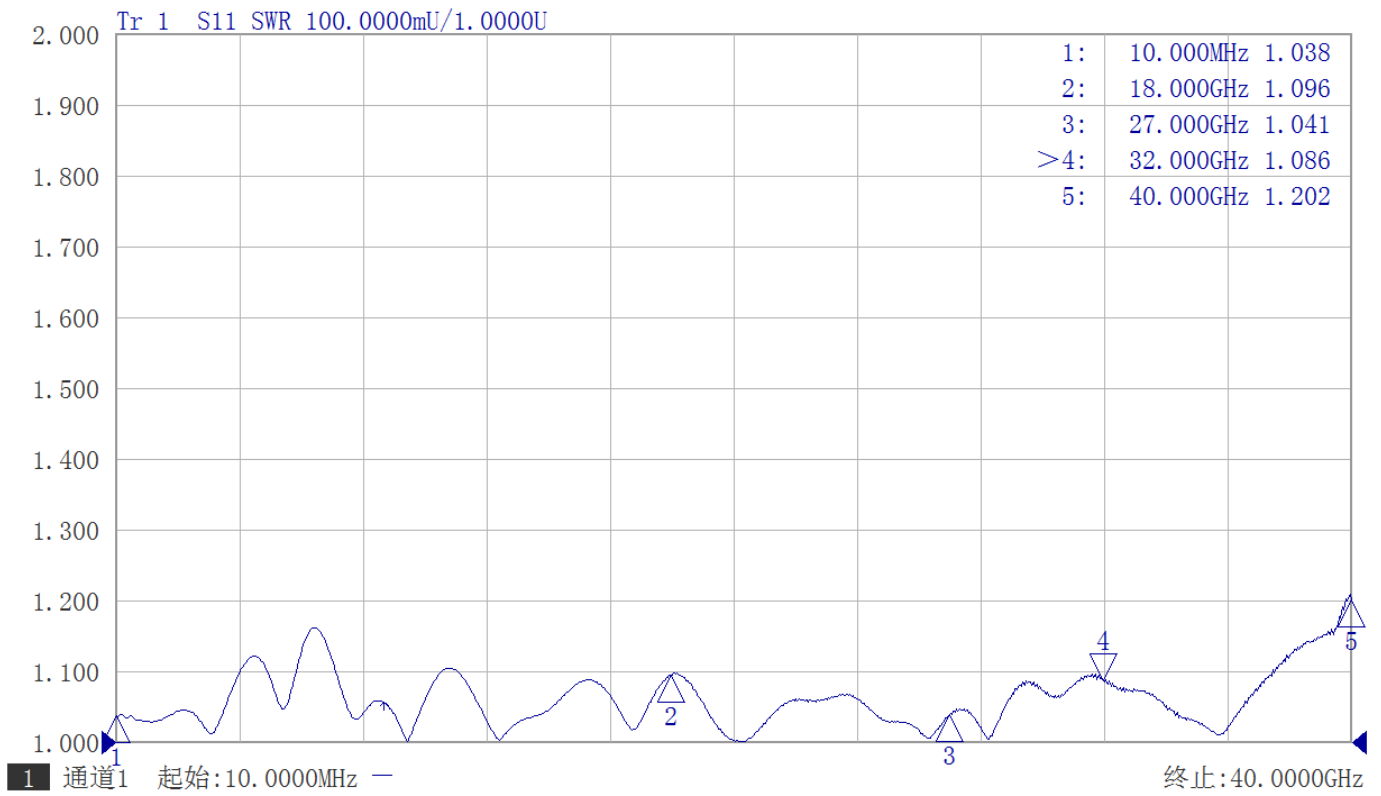
Material: Aluminum

Dimensions: as below

Model Number	Frequency Range(GHz)	Max VSWR
TT50-40-2.92A	DC-40GHZ	1.3

Unit: mm





Talent MW