

SP3T to SP6T Electromechanical Switch

Pulse Latching , DC to 40 GHz, 2.92mm, Terminated,D-SUB

电气参数 Electrical Characteristics:

参数Parameter	条件Condition
频率范围 Frequency Range	DC-40GHz
阻抗 RF Impedance	50 Ohms
开关模式 Operation Mode	Pulse Latching
开关顺序 Switch Sequence	Break before make
切换时间 Switching time	15 ms Max
开关寿命 Standard Actuator Life	2 million Min
负载功率 Termination Power CW	2 W
驱动电压 Actuator voltage Available	12 24 28 V
驱动电流 Actuator current	350 185 160 mA



射频特性 RF Specifications:

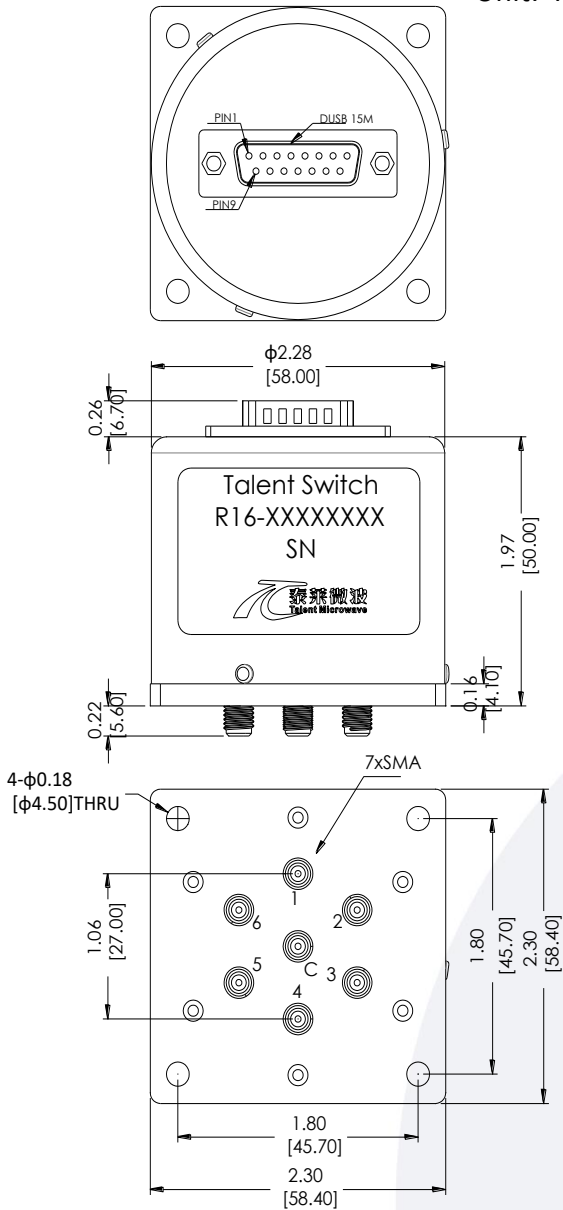
频率范围 Frequency (GHz)	DC-6	6-12	12-18	18-26.5	26.5-40
插损 Insertion Loss (dB max.)	0.3	0.4	0.5	0.8	1.3
隔离 Isolation (dB min.)	70	60	60	55	50
驻波 VSWR (max.)	1.3:1	1.4:1	1.5:1	1.9:1	2.1:1
平均功率 RF Power CW (Watts max.)	80	50	45	15	8

环境和物理特性 Environmental And Physical Characteristics:

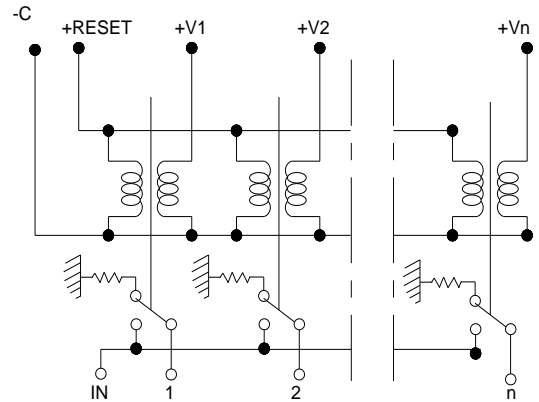
参数Parameter	条件 Condition
操作温度 Operating Temperature	-25°C to +65°C(Standard) -55°C - +85°C(Optional)
震动 Vibration(operating)	10G RMS, 20-2000HZ
冲击 Shock(non operating)	50G, 1/2Sine, 12msec
射频接口 Connector Type	2.92mm Female
控制接口 Control Connector	D-SUB 15PIN Male
重量 Weight	350g Max

外形尺寸 Outline Drawing:

Unit: Inch(mm)



原理图 Schematic:



Pin NO	FUNCTION	RF Connect Used			
		SP3T	SP4T	SP5T	SP6T
1	V1	1	1	1	1
2	V2		2	2	2
3	V3	3		3	3
4	V4		4	4	4
5	V5	5	5	5	5
6	V6				6
7	-COM				
8	VR(Reset)				
9	NC				
10	NC				
11	NC				
12	NC				
13	NC				
14	NC				
15	NC				

标准型号 Part Number:

标准型号 Part Number				驱动电压 Actuator voltage	可选项 Option
SP3T	SP4T	SP5T	SP6T		
R13-KL12040-DT	R14-KL12040-DT	R15-KL12040-DT	R16-KL12040-DT	12 V	-S(-55°C - +85°C)
R13-KL24040-DT	R14-KL24040-DT	R15-KL24040-DT	R16-KL24040-DT	24 V	
R13-KL28040-DT	R14-KL28040-DT	R15-KL28040-DT	R16-KL28040-DT	28 V	

典型曲线 Typical Performance Data:

