

SP7T to SP8T Electromechanical Switch

Pulse Latching , DC to 18 GHz, SMA, Terminated, D-SUB

电气参数 Electrical Characteristics:

参数 Parameter	条件 Condition
频率范围 Frequency Range	DC-18GHz
阻抗 RF Impedance	50 Ohms
开关模式 Operation Mode	Pulse Latching
开关顺序 Switch Sequence	Break before make
切换时间 Switching time	15 ms Max
开关寿命 Standard Actuator Life	1 million Min
负载功率 Termination Power CW	2 W
驱动电压 Actuator voltage Available	12 24 28 V
驱动电流 Actuator current	350 185 160 mA



射频特性 RF Specifications:

频率范围 Frequency (GHz)	DC-6	6-12	12-18
插损 Insertion Loss (dB max.)	0.3	0.4	0.5
隔离 Isolation (dB min.)	80	70	60
驻波 VSWR (max.)	1.3:1	1.4:1	1.5:1
平均功率 RF Power CW (Watts max.)	80	50	45

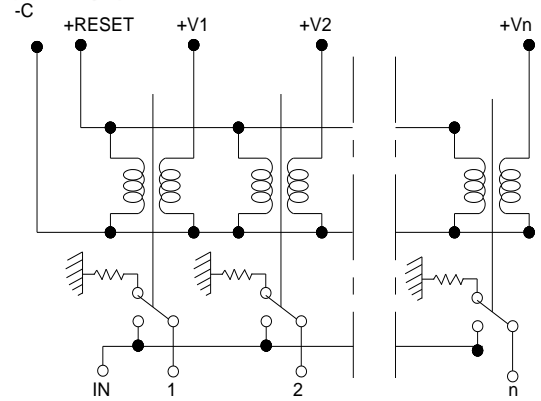
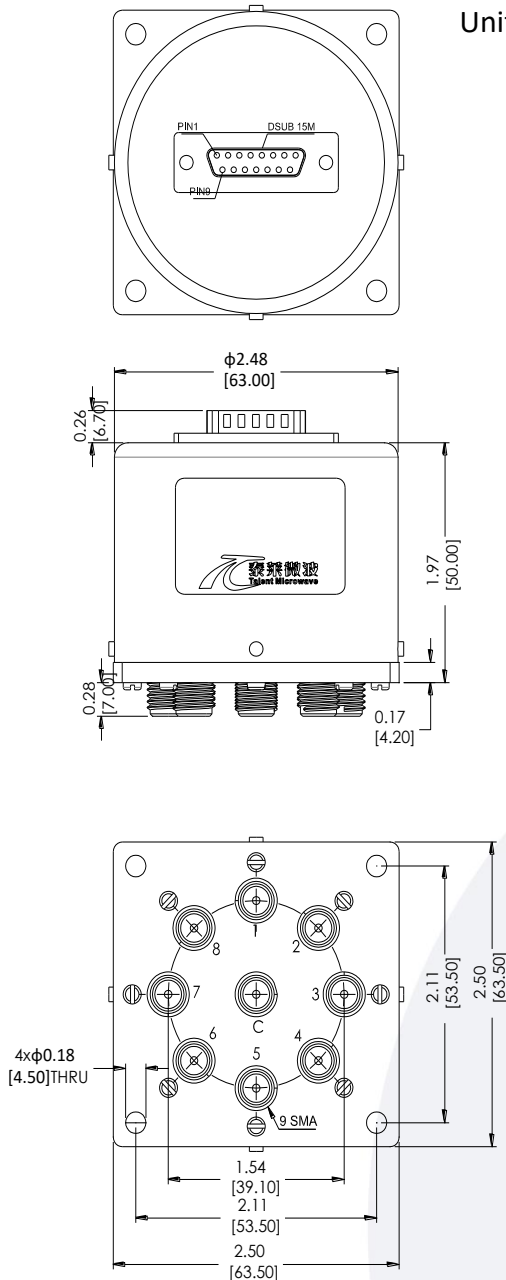
环境和物理特性 Environmental And Physical Characteristics:

参数 Parameter	条件 Condition
操作温度 Operating Temperature	-25°C to +65°C (Standard) -55°C - +85°C (Optional)
震动 Vibration (operating)	10G RMS, 20-2000HZ
冲击 Shock (non operating)	50G, 1/2 Sine, 12msec
射频接口 Connector Type	SMA Female
控制接口 Control Connector	D-SUB 15PIN Male
重量 Weight	330g Max

外形尺寸 Outline Drawing:

原理图 Schematic:

Unit: Inch(mm)



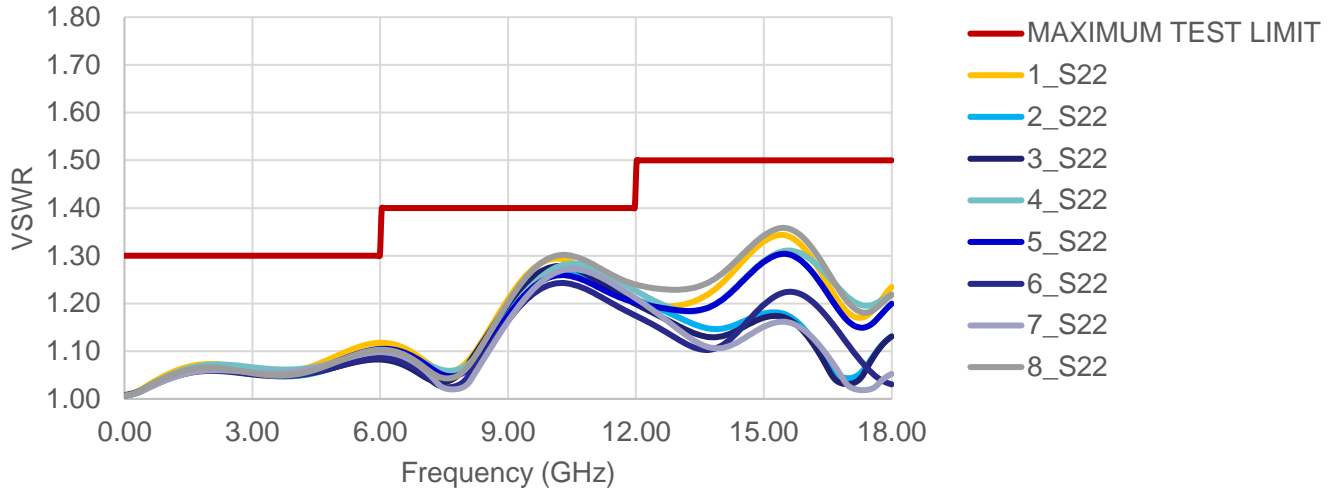
Pin NO	FUNCTION	RF Connect Used	
		SP7T	SP8T
1	V1	1	1
2	V2	2	2
3	V3	3	3
4	V4	4	4
5	V5	5	5
6	V6	6	6
7	V7	7	7
8	V8		8
9	-COM		
10	VR(Reset)		
11	NC		
12	NC		
13	NC		
14	NC		
15	NC		

标准型号 Part Number:

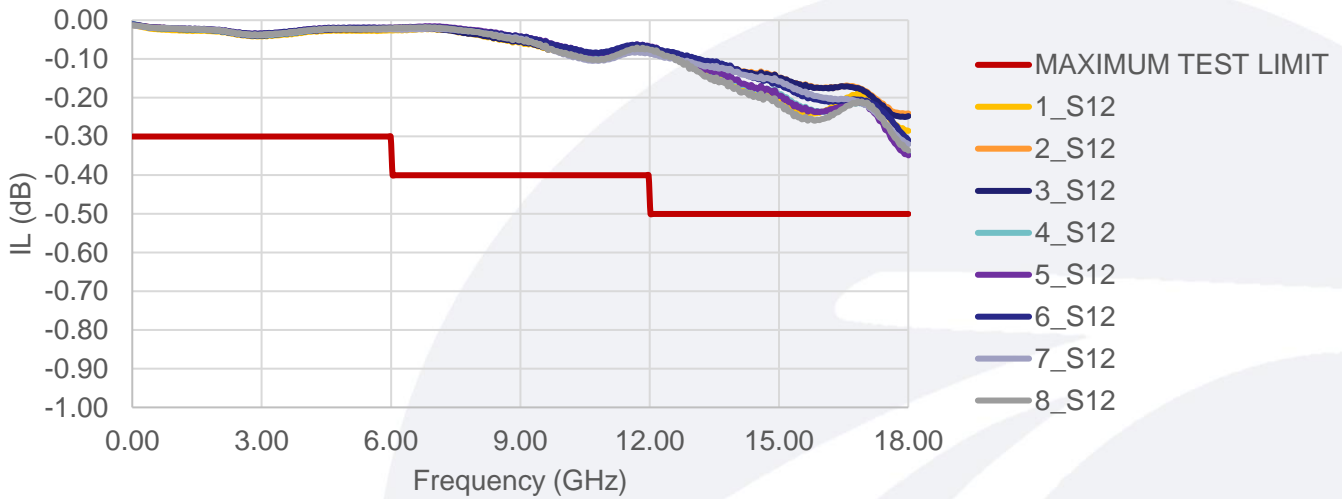
标准型号 Part Number		驱动电压 Actuator voltage	可选项 Option
SP7T	SP8T		
R17-SL12018-DT	R18-SL12018-DT	12 V	-S(-55°C - +85°C)
R17-SL24018-DT	R18-SL24018-DT	24 V	
R17-SL28018-DT	R18-SL28018-DT	28 V	

典型曲线 Typical Performance Data:

VSWR



INSERTION LOSS



ISOLATION

