

SP7T to SP8T Electromechanical Switch

Normally Open , DC to 18 GHz, SMA, D-SUB

电气参数 Electrical Characteristics:

参数 Parameter	指标 Value
频率范围 Frequency Range	DC-18 GHz
阻抗 RF Impedance	50 Ohms
开关模式 Operation Mode	Normally Open
开关顺序 Switch Sequence	Break before make
切换时间 Switching time	15 ms Max
开关寿命 Standard Actuator Life	2 million Min
驱动电压 Actuator Voltage Available	12 24 28 V
驱动电流 Actuator current	290 150 130 mA



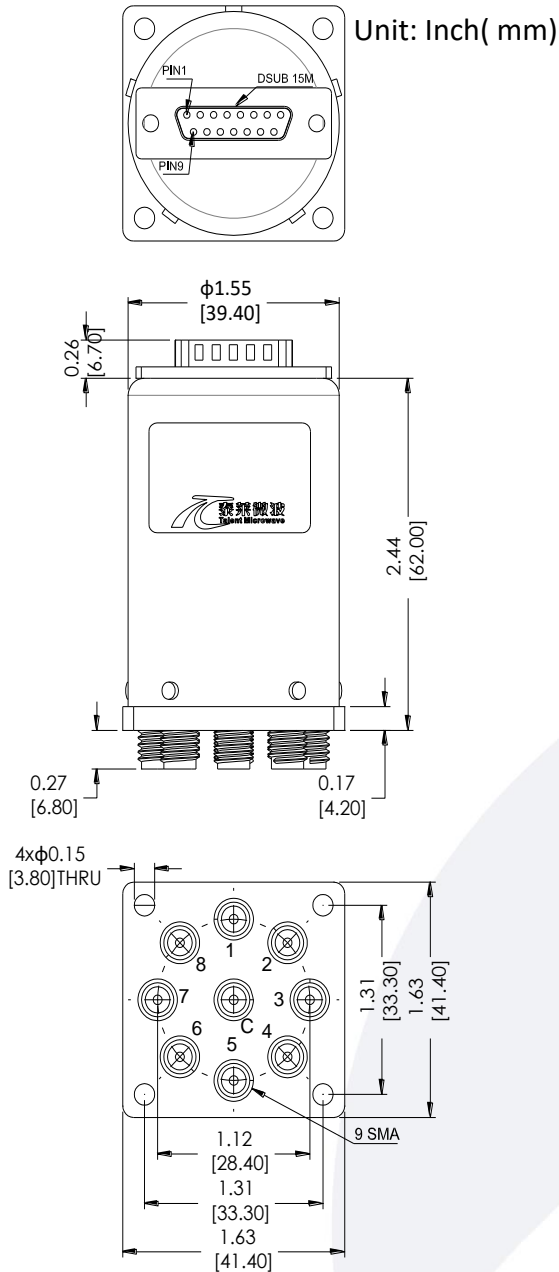
射频特性 RF Specifications:

频率范围 Frequency (GHz)	DC-4	4-8	8-12.4	12.4-18
插损 Insertion Loss (dB max.)	0.2	0.3	0.4	0.6
隔离 Isolation (dB min.)	75	65	60	60
驻波 VSWR (max.)	1.2:1	1.3:1	1.4:1	1.6:1
平均功率 RF Power CW (Watts max.)	100	70	60	45

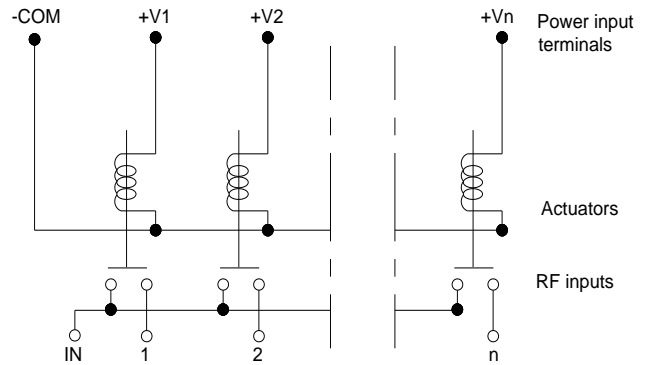
环境和物理特性 Environmental And Physical Characteristics:

参数 Parameter	指标 Value
操作温度 Operating Temperature	-25°C to +65°C (Standard) -55°C to +85°C (Optional)
震动 Vibration (operating)	10G RMS, 20-2000HZ
冲击 Shock (non operating)	50G, 1/2Sine, 12msec
射频接口 Connector Type	SMA Female
控制接口 Control Connector	D-SUB 15 PIN Male
重量 Weight	300g Max

外形尺寸 Outline Drawing:



原理图 Schematic:



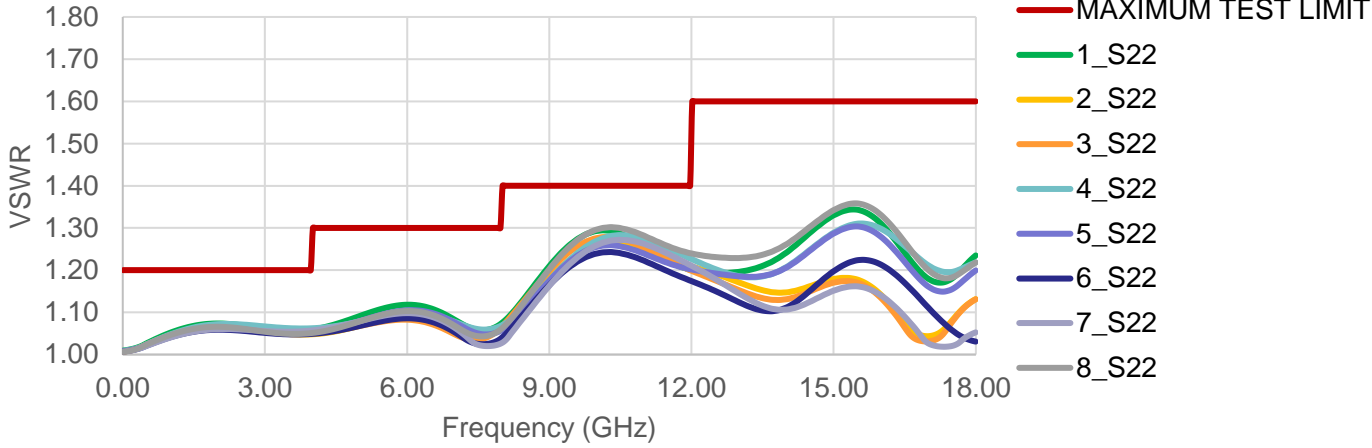
Pin NO	15 PIN D-SUB		RF Connect Used	
	FUNCTION	SP7T	SP8T	
1	V1	1	1	
2	V2	2	2	
3	V3	3	3	
4	V4	4	4	
5	V5	5	5	
6	V6	6	6	
7	V7	7	7	
8	V8			8
9	-COM			
10	NC			
11	NC			
12	NC			
13	NC			
14	NC			
15	NC			

标准型号 Part Number:

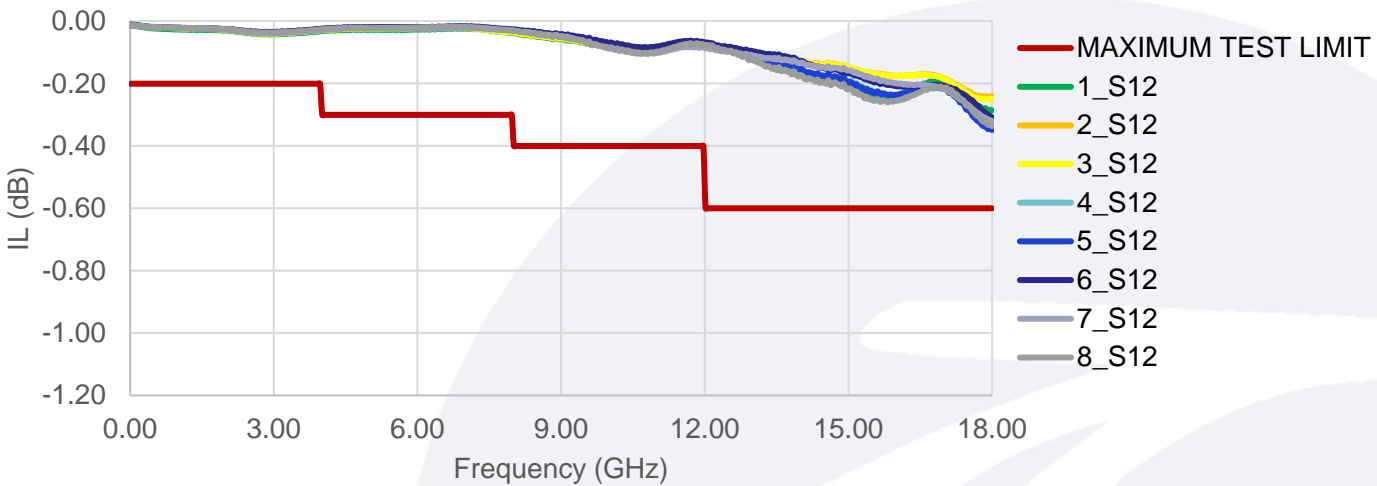
标准型号 Part Number		驱动电压 Actuator voltage	可选项 Option
SP7T	SP8T		
R17-SN12018-D	R18-SN12018-D	12 V	-S(-55°C - +85°C)
R17-SN24018-D	R18-SN24018-D	24 V	
R17-SN28018-D	R18-SN28018-D	28 V	

典型曲线 Typical Performance Data:

VSWR



INSERTION LOSS



ISOLATION

