

**Part No: TDCBVMVF-2**

5MHz-67GHz,60V,1.85mm Male-FeMale DC Block

**电气特性 Electrical:**

工作频率 Frequency:	5MHz-67GHz
插损 Insertion Loss:	0.7 dBMax
驻波 VSWR:	1.3Max
工作电压 DC Voltage:	60 VOLTS
阻抗 Impedance:	50 OHMS

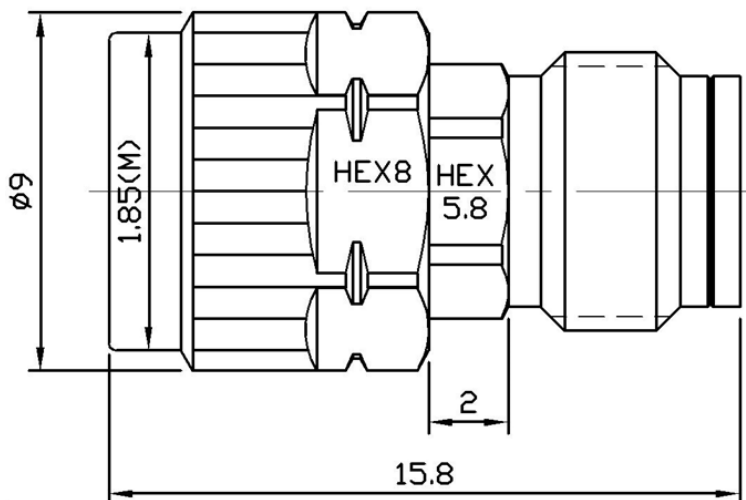


**机械特性 Mechanical:**

操作温度 Operation Temperature:	-55~+165°C
存储温度 Storage Temperature:	-55~+165°C
壳体 Body Material:	Stainless Steel 303
内导体 Center conductor:	Becu, Golden
接口 Connectors:	1.85mm Male to Female
相对湿度 Relative Humidity:	0 ~ 90%

**外形尺寸 Outline Drawing:**

Unit: mm



测试曲线 (Test Curve)

