

Flexible Ultra Low Loss Coax Cable Assembly

A22/2.92mm Female/2.92mm Female/DC-40 GHz

Model: A22-2.92F2.92F-L



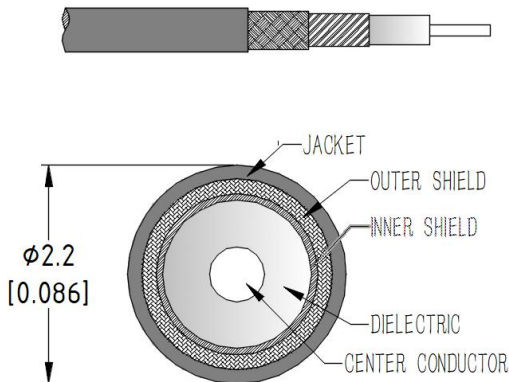
Features:

- Max Frequency 40 GHz
- VSWR max of 1.30
- Velocity of Propagation of 82%

Applications:

- Test & Measurement equipment
- Manufacturing lab
- WAN system equipment

Cable Cross Section:



Electrical Characteristics:

| Parameter | Min | Typ | Max | Units |
|---------------------------------------|-----|------------|-----|------------|
| Frequency Range | DC | | 40 | GHz |
| VSWR | | 1.25 | 1.3 | :1 |
| Velocity of propagation | | 82% | | |
| Shielding Effectiveness | 90 | | | dB |
| Capacitance | | | 81 | pF/m |
| Phase Stability Vs. Flexure@40GHz | | ± 3 | | $^{\circ}$ |
| Amplitude Stability Vs. Flexure@40GHz | | ± 0.03 | | dB |
| Phase Stability Vs. Temperature | | | 550 | PPM |

Environmental And Physical Characteristics:

| Description | Parameter | Units |
|-----------------------|-------------|--------------------|
| Cable Diameter | 2.2 | mm |
| Cable Jacket | FEP | |
| Min. Bending Radius | 11 | mm |
| Typical Flex life | 50000 | |
| Operating Temperature | -55 to +125 | $^{\circ}\text{C}$ |
| Storage Temperature | -55 to +165 | $^{\circ}\text{C}$ |

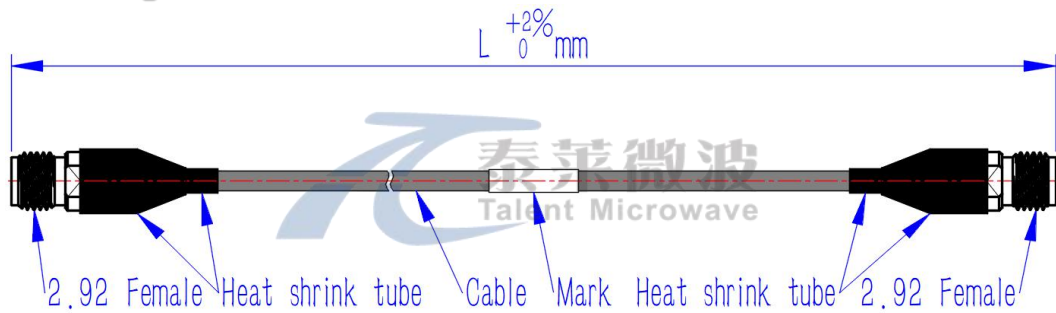
Cable Performance By Frequency

| Frequency | 2 GHz | 4 GHz | 6 GHz | 8 GHz | 12 GHz | 18 GHz | 26.5 GHz | 40GHz |
|----------------------------|-------|-------|-------|-------|--------|--------|----------|-------|
| Insertion Loss (dB/m Max.) | 0.91 | 1.30 | 1.60 | 1.86 | 2.31 | 2.87 | 3.54 | 4.44 |
| RF Power CW (W Max.) | 190 | 133 | 108 | 82 | 75 | 60 | 49 | 39 |

Connectors:

| Description | Connector 1 | Connector 2 |
|------------------------------|----------------------------|----------------------------|
| Type | 2.92mm Straight Female | 2.92mm Straight Female |
| Contact Material And Plating | Beryllium Copper,Gold | Beryllium Copper,Gold |
| Dielectric Type | PEI | PEI |
| Body Material And Plating | Passivated Stainless Steel | Passivated Stainless Steel |
| Insertion Loss (dB Max) | 0.05* $\sqrt{f_GHz}$ | 0.05* $\sqrt{f_GHz}$ |

Outline Drawing:



Ordering Information:

| Base Number | Length (Unit meters) | Armour | Phase/delay Matched |
|----------------|----------------------|---|---|
| A22-2.92F2.92F | -L | LEAVE BLANK(NOT REQUIRED) -A(默认黑色尼龙铠甲) -AS(不锈钢铠甲) -AP(PUR防水铠甲) -AT(透明铠甲) | LEAVE BLANK(NOT REQUIRED) -XXPS($\leq \pm XX$ PS) -XX $^\circ$ ($\pm XX^\circ$) |

Typical Performance Data:

Model:A22-2.92F2.92F-1m

| Frequency | 2 GHz | | 6 GHz | | 12 GHz | | 18 GHz | | 26.5 GHz | | 40GHz | |
|----------------|-------|------|-------|------|--------|------|--------|------|----------|------|-------|------|
| | Typ | Max | Typ | Max | Typ | Max | Typ | Max | Typ | Max | Typ | Max |
| Insertion Loss | 0.98 | 1.05 | 1.73 | 1.85 | 2.48 | 2.66 | 3.08 | 3.29 | 3.80 | 4.05 | 4.76 | 5.07 |
| VSWR | 1.03 | 1.05 | 1.05 | 1.10 | 1.10 | 1.15 | 1.15 | 1.20 | 1.20 | 1.25 | 1.25 | 1.30 |

