

## SP3T to SP6T Electromechanical Switch

Normally Open , DC to 18 GHz, N, TTL, D-SUB

### 电气参数 Electrical Characteristics:

| 参数Parameter                     | 指标 Value                |
|---------------------------------|-------------------------|
| 频率范围 Frequency Range            | DC-12.4 GHz             |
| 阻抗 RF Impedance                 | 50 Ohms                 |
| 开关模式 Operation Mode             | Normally Open           |
| TTL 电压 TTL Voltage              | 0-0.8 V(OFF)2.4-5 V(ON) |
| 开关顺序 Switch Sequence            | Break before make       |
| 切换时间 Switching time             | 15 ms Max               |
| 开关寿命 Standard Actuator Life     | 1 million Min           |
| 驱动电压 Actuator Voltage Available | 12 24 28 V              |
| 驱动电流 Actuator current           | 150 75 65 mA            |



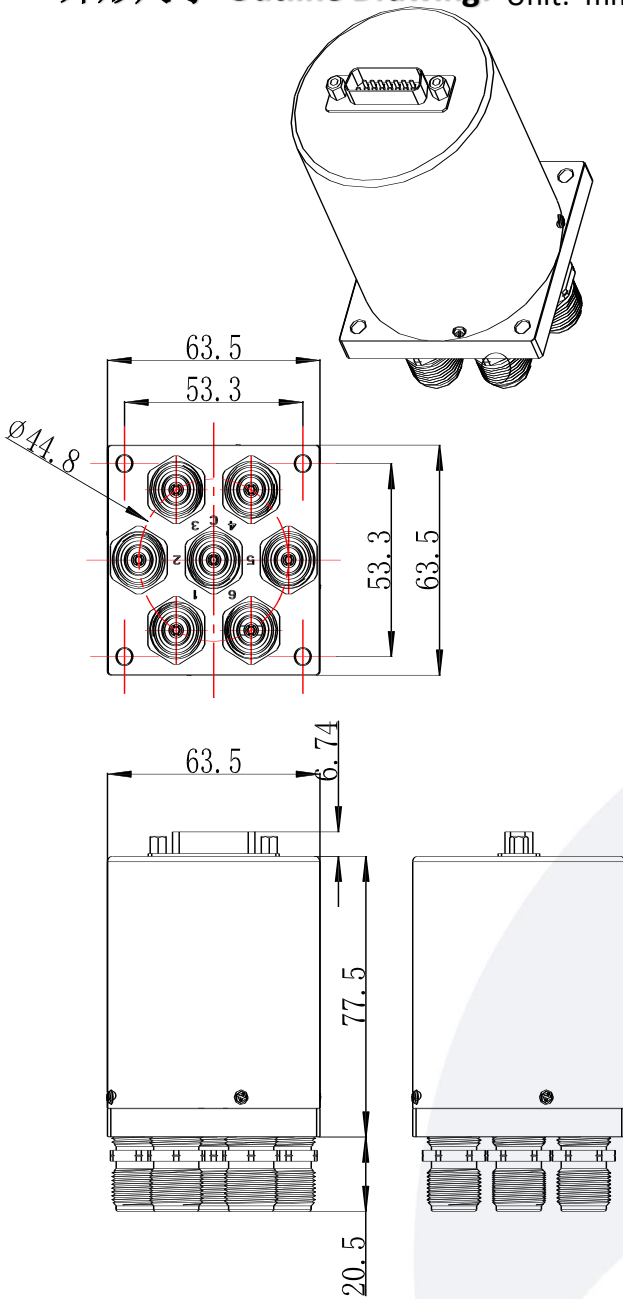
### 射频特性 RF Specifications:

| 频率范围 Frequency (GHz)          | DC-2  | 2-4   | 4-12.4 |
|-------------------------------|-------|-------|--------|
| 插损 Insertion Loss (dB max.)   | 0.3   | 0.5   | 0.7    |
| 隔离 Isolation (dB min.)        | 70    | 60    | 50     |
| 驻波 VSWR (max.)                | 1.3:1 | 1.5:1 | 1.7:1  |
| 平均功率 RF Power CW (Watts max.) | 220   | 170   | 100    |

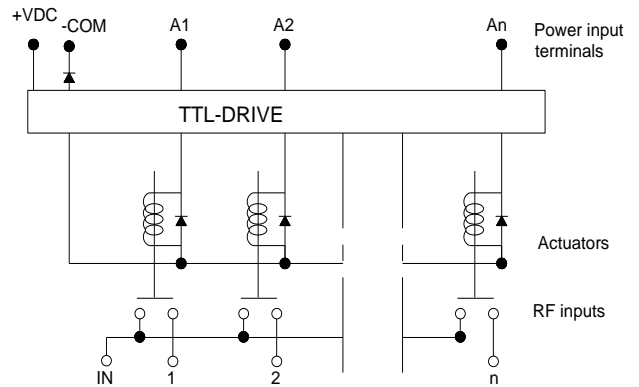
### 环境和物理特性 Environmental And Physical Characteristics:

| 参数Parameter                | 指标 Value   |
|----------------------------|--|
| 操作温度 Operating Temperature | -25°C to +65°C(Standard )<br>-55°C - +85°C(Optional) |
| 震动 Vibration(operating)    | 10G RMS, 20-2000HZ                                   |
| 冲击 Shock(non operating)    | 50G, 1/2Sine, 12msec                                 |
| 射频接口 Connector Type        | N Female   |
| 控制接口 Control Connector     | D-SUB 15 PIN Male                                    |
| 重量 Weight                  | 560g Max   |

**外形尺寸 Outline Drawing: Unit: mm**



**原理图 Schematic:**



| Pin NO | FUNCTION | RF Connect Used |      |      |      |
|--------|----------|-----------------|------|------|------|
|        |          | SP3T            | SP4T | SP5T | SP6T |
| 1      | A1       | 1               | 1    | 1    | 1    |
| 2      | A2       |                 | 2    | 2    | 2    |
| 3      | A3       | 3               |      | 3    | 3    |
| 4      | A4       |                 | 4    | 4    | 4    |
| 5      | A5       | 5               | 5    | 5    | 5    |
| 6      | A6       |                 |      |      | 6    |
| 7      | -COM     |                 |      |      |      |
| 8      | NC       |                 |      |      |      |
| 9      | NC       |                 |      |      |      |
| 10     | NC       |                 |      |      |      |
| 11     | NC       |                 |      |      |      |
| 12     | NC       |                 |      |      |      |
| 13     | NC       |                 |      |      |      |
| 14     | NC       |                 |      |      |      |
| 15     | +VDC     |                 |      |      |      |

**标准型号 Part Number:**

| 标准型号 Part Number |               |               |               | 驱动电压<br>Actuator<br>voltage | 可选项 Option           |
|------------------|---------------|---------------|---------------|-----------------------------|----------------------|
| SP3T             | SP4T          | SP5T          | SP6T          |                             |                      |
| R13-NN12T12-D    | R14-NN12T12-D | R15-NN12T12-D | R16-NN12T12-D | 12 V                        | -S(-55°C -<br>+85°C) |
| R13-NN24T12-D    | R14-NN24T12-D | R15-NN24T12-D | R16-NN24T12-D | 24 V                        |                      |
| R13-NN28T12-D    | R14-NN28T12-D | R15-NN28T12-D | R16-NN28T12-D | 28 V                        |                      |