

Part No.: RS2W000103-S

Power divider/Combiner 2Way SMA 50Ω 1 to 300 MHz

电气特性 Electrical:

工作频率 Frequency Range: 1-300 MHz

插入损耗 Insertion Loss: $\leq 0.5\text{dB}$

驻波 VSWR: $\leq 1.3 : 1$

隔离 Isolation: $\geq 20\text{dB}$ Max typ: 22dB

幅度平衡 Amplitude Balance: $\leq \pm 0.2\text{dB}$

相位平衡 Phase Balance: $\leq \pm 2^\circ$

耐功率 Power Handling: 10 Watt

反向功率: Reverse Power : 1W

阻抗 Impedance: 50 OHMS

机械特性 Mechanical :

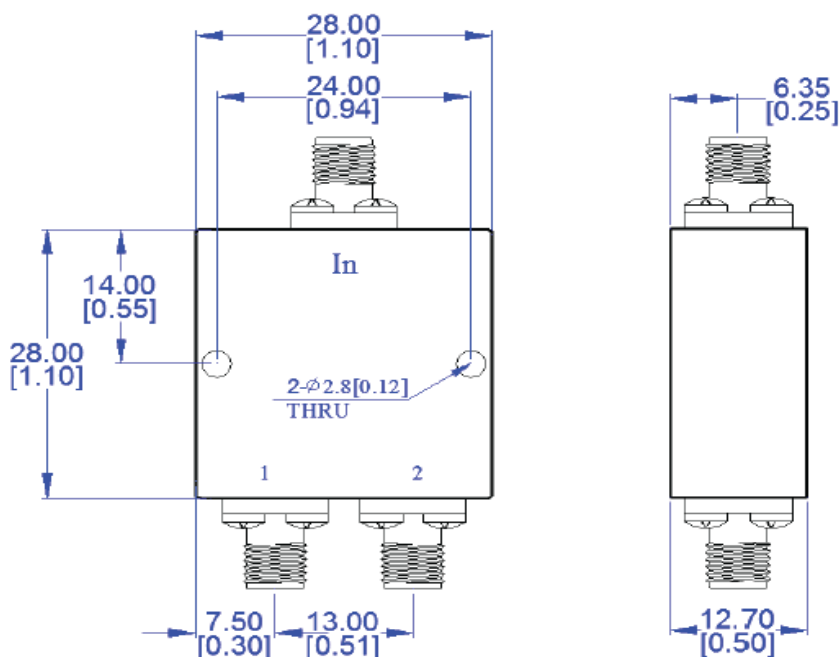
温度范围 Temperature Range: $-55^\circ\text{C} - +85^\circ\text{C}$

接口 Connectors: SMA-Female

相对湿度 Relative Humidity: 0 ~ 90%

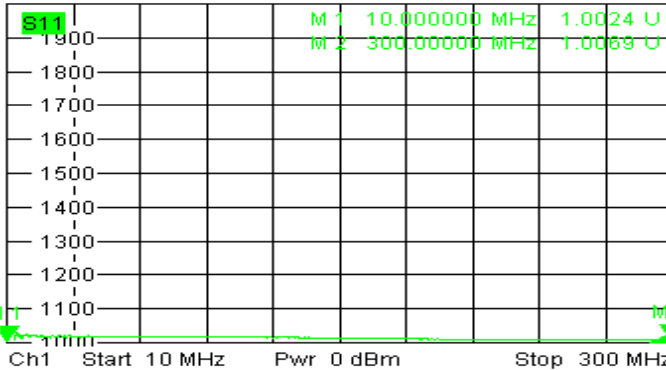
外形尺寸 Outline Drawing:

Unit: mm

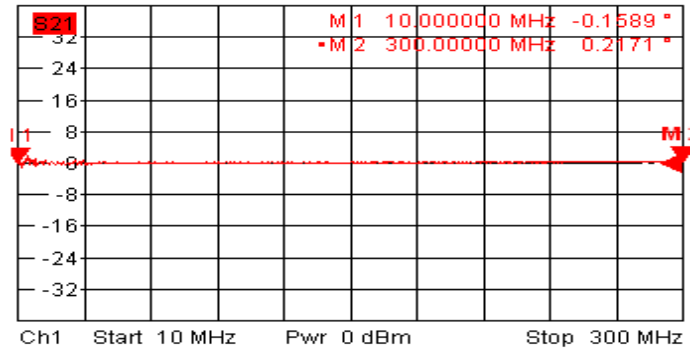




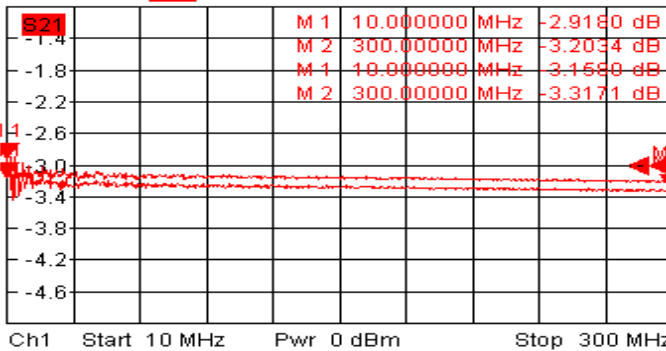
Trc1 **S11** SWR 100 mU/ Ref 1 U Cal 1



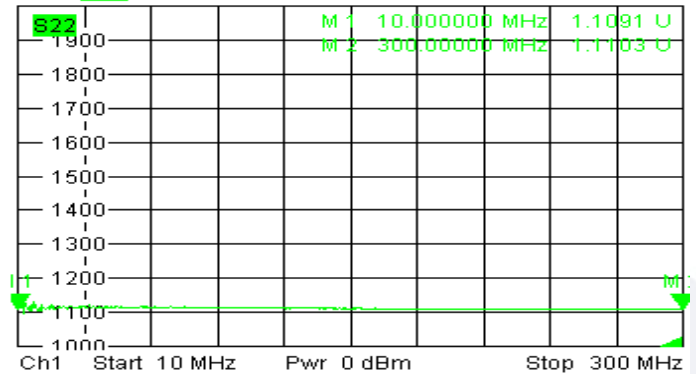
Trc2 **S21** Phase 8° / Ref 0° Cal Math 2
Mem5[Trc2] Phase 8° / Ref 0° Invisible



Trc3 **S21** dB Mag 0.4 dB / Ref -3 dB Cal 3
Mem6[Trc3] **S21** dB Mag 0.4 dB / Ref -3 dB



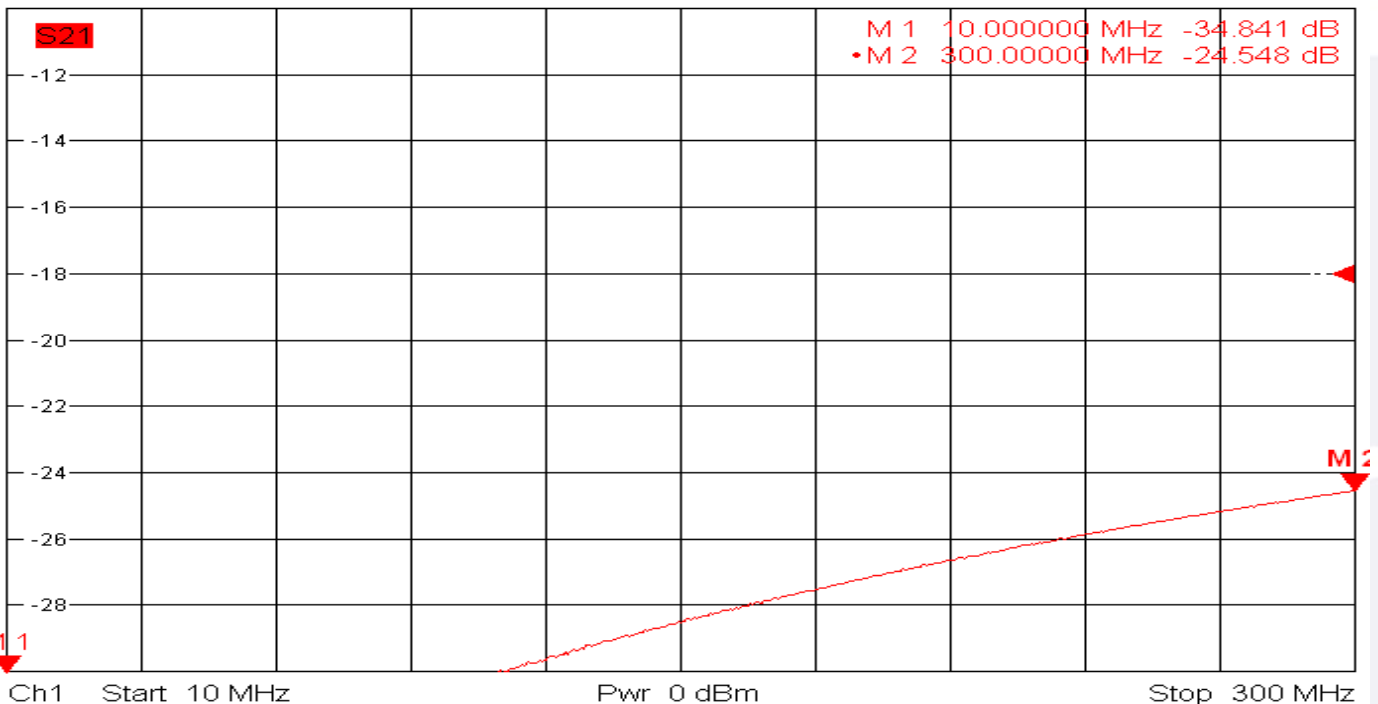
Trc4 **S22** SWR 100 mU/ Ref 1 U Cal 4



1/11/2019, 10:36 AM



Trc2 **S21** dB Mag 2 dB / Ref -18 dB Cal 2 of 4 (Max)
Mem5[Trc2] dB Mag 2 dB / Ref -18 dB Invisible



1/11/2019, 10:44 AM