

Part No.: RS2W0320-S

Power divider/Combiner 2 Way SMA 50Ω 0.3 to 2.0 GHz

电气特性 Electrical:

工作频率 Frequency Range: 0.3-2.0GHz
 插入损耗 Insertion Loss: $\leq 1.0\text{dB}$
 驻波 VSWR: $\leq 1.30 : 1$
 隔离 Isolation: $\geq 20\text{dB}$
 耐功率 Power Handling: $\leq 30\text{Watt}$
 阻抗 Impedance: 50 OHMS

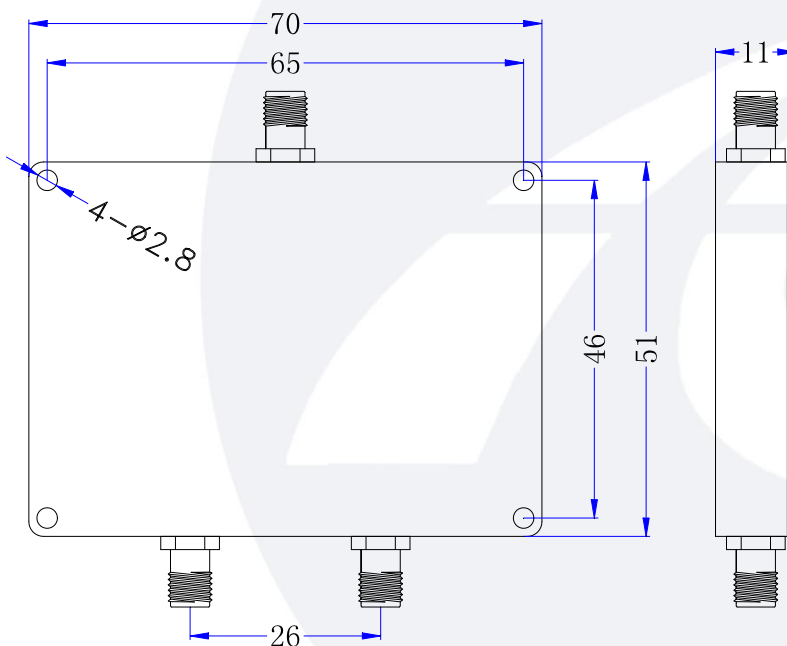


机械特性 Mechanical :

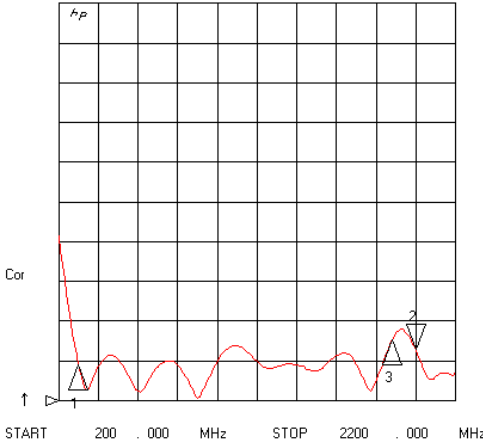
温度范围 Temperature Range: $-55^{\circ}\text{C} - +85^{\circ}\text{C}$
 接口 Connectors: SMA-Female
 相对湿度 Relative Humidity: 0 ~ 90%

外形尺寸 Outline Drawing:

Unit: mm

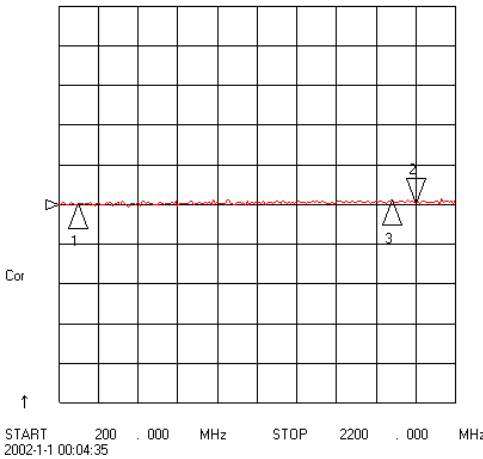


CH1 SWR 100 m / REF 1
S11 2 : 1. 1295 2. 000 000 000 GHz



CH1 Markers
1 : 1. 0903
300 . 000 MHz
3 : 1. 1551
1. 88020 GHz

CH3 LOG .3 dB/ REF 0 dB
S12/M 2 : . 01300 dB 2. 000 000 000 GHz

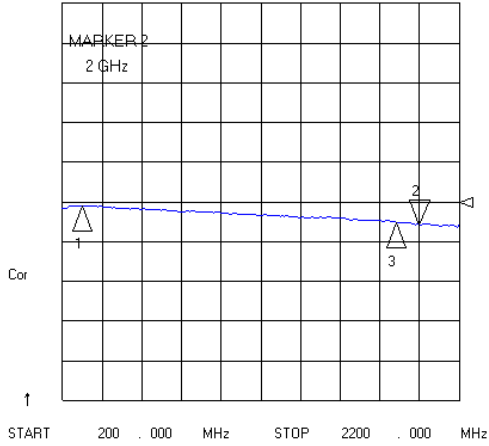


CH3 Markers
1 : . 01100 dB
300 . 000 MHz
3 : . 03300 dB
1. 88020 GHz

START 2002-1-1 00:04:35

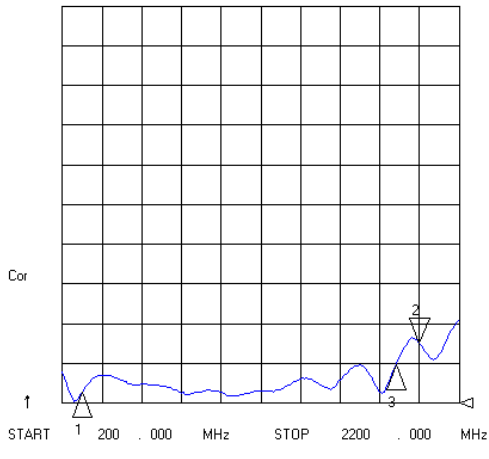
15 Mar 2019 07:30:58

CH2 LOG 1 dB/ REF -3 dB
S21 2 : -3 . 5710 dB 2. 000 000 000 GHz



CH2 Markers
1 : -3 . 0850 dB
300 . 000 MHz
3 : -3 . 5160 dB
1. 88020 GHz

CH4 SWR 100 m / REF 1
S22 2 : 1. 1512 2. 000 000 000 GHz



CH4 Markers
1 : 1. 0290
300 . 000 MHz
3 : 1. 0986
1. 88020 GHz