

Part No.: RS2W0330-S

Power divider/Combiner 2 Way SMA 50Ω 0.3 to 3.0 GHz



电气特性 Electrical:

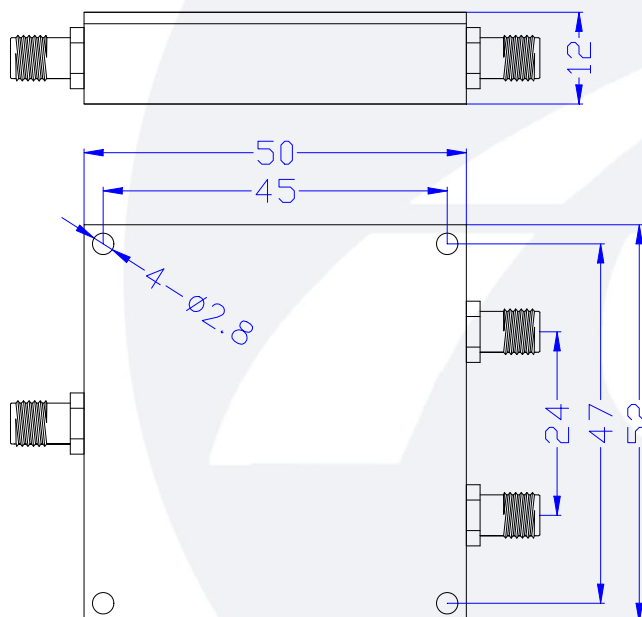
工作频率 Frequency Range:	0.3-3.0GHz
插入损耗 Insertion Loss:	≤1.3dB
驻波 VSWR:	≤1.40 : 1 (Max)
隔离 Isolation:	≥18dB
幅度平衡 Amplitude Balance:	≤±0.5dB
相位平衡 Phase Balance:	≤±5°
耐功率 Power Handling:	≤30Watt
阻抗 Impedance:	50 OHMS

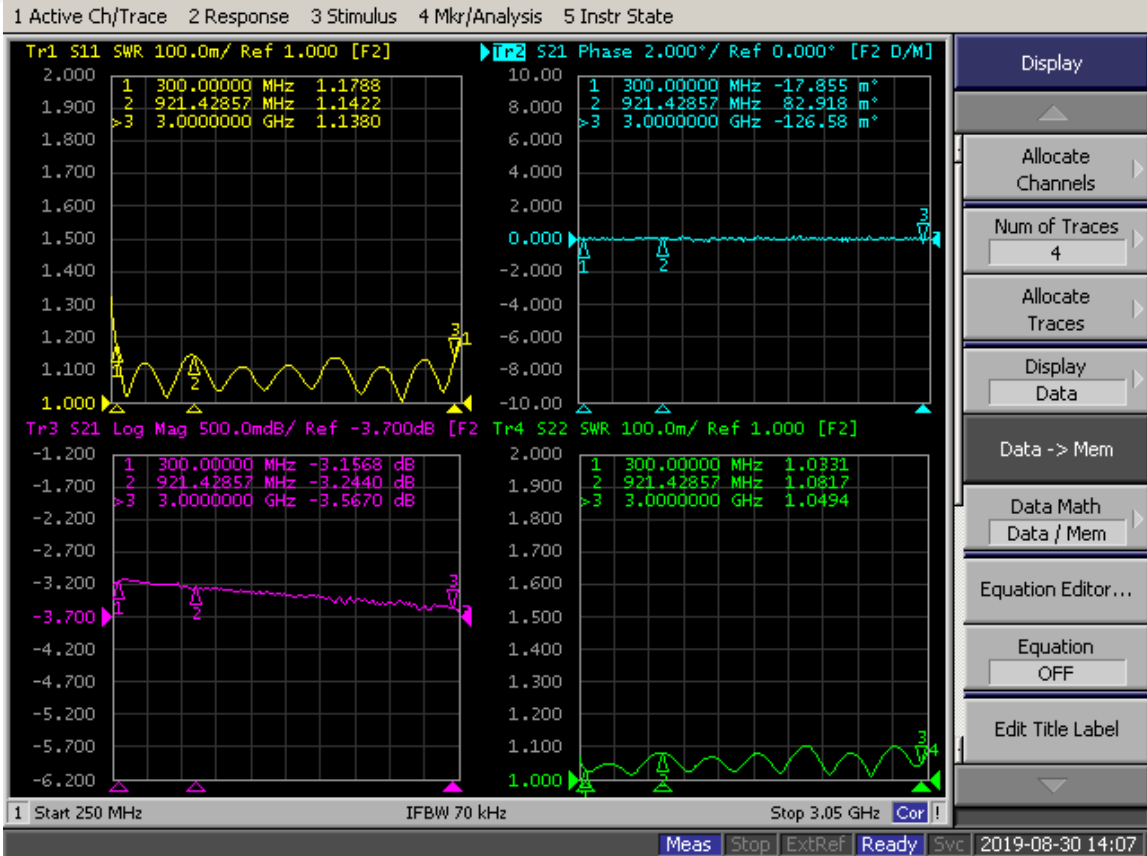
机械特性 Mechanical :

温度范围 Temperature Range:	-55° C - +85° C
接口 Connectors:	SMA-Female
相对湿度 Relative Humidity:	0 ~ 90%

外形尺寸 Outline Drawing:

Unit: mm





Display

Allocate Channels

Num of Traces 4

Allocate Traces

Display Data

Data -> Mem

Data Math Data / Mem

Equation Editor...

Equation OFF

Edit Title Label



System

Print

Abort Printing

Printer Setup...

Invert Image ON

Dump Screen Image...

Multiport Test Set Setup

Misc Setup

Backlight ON

Firmware Revision

