

Part No.: RS2W03860-S

Power divider/Combiner 2 Way SMA 50Ω 0.38 to 6 GHz

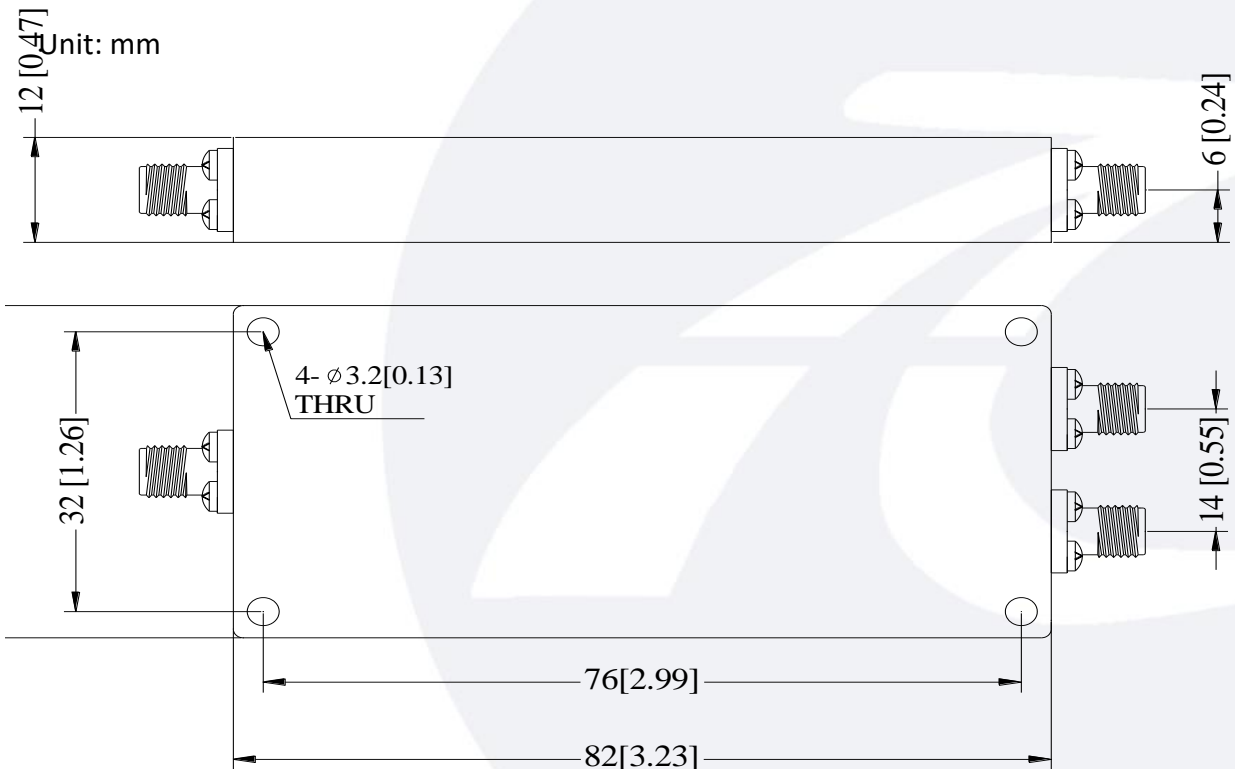
电气特性 Electrical:

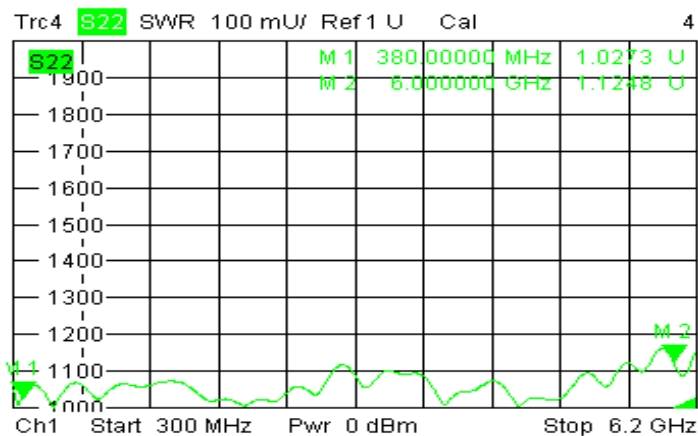
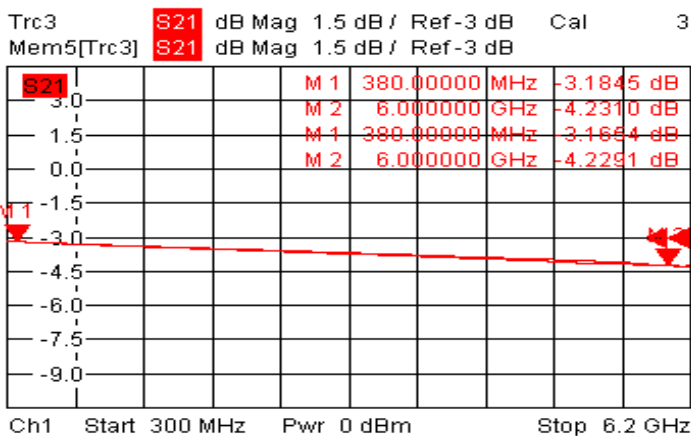
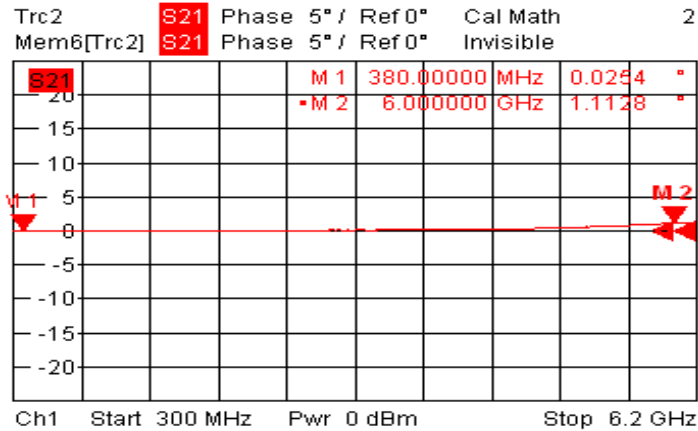
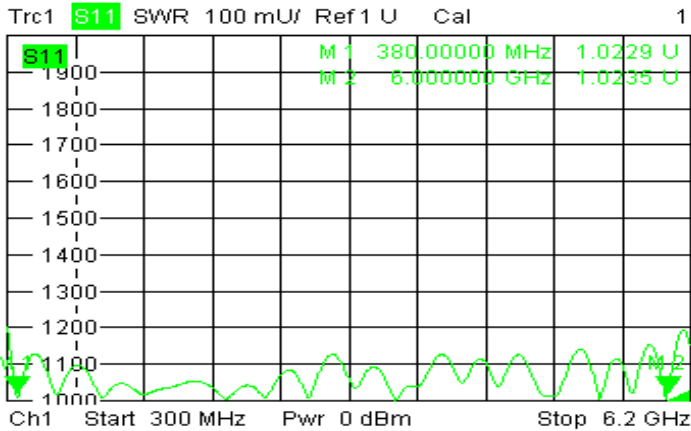
工作频率 Frequency Range: 0.38-6 GHz
 插入损耗 Insertion Loss: $\leq 1.6\text{dB}$
 驻波 VSWR: $\leq 1.35: 1$
 隔离 Isolation: $\geq 20\text{dB}$
 幅度平衡 Amplitude Balance: $\leq \pm 0.3\text{dB}$
 相位平衡 Phase Balance: $\leq \pm 3^\circ$
 耐功率 Power Handling: 30 Watt
 方向功率 Reverse Power : 2 Watt
 阻抗 Impedance: 50 OHMS

机械特性 Mechanical :

温度范围 Temperature Range: $-55^\circ\text{C} - +85^\circ\text{C}$
 接口 Connectors: SMA-Female
 相对湿度 Relative Humidity: 0 ~ 90%

外形尺寸 Outline Drawing:



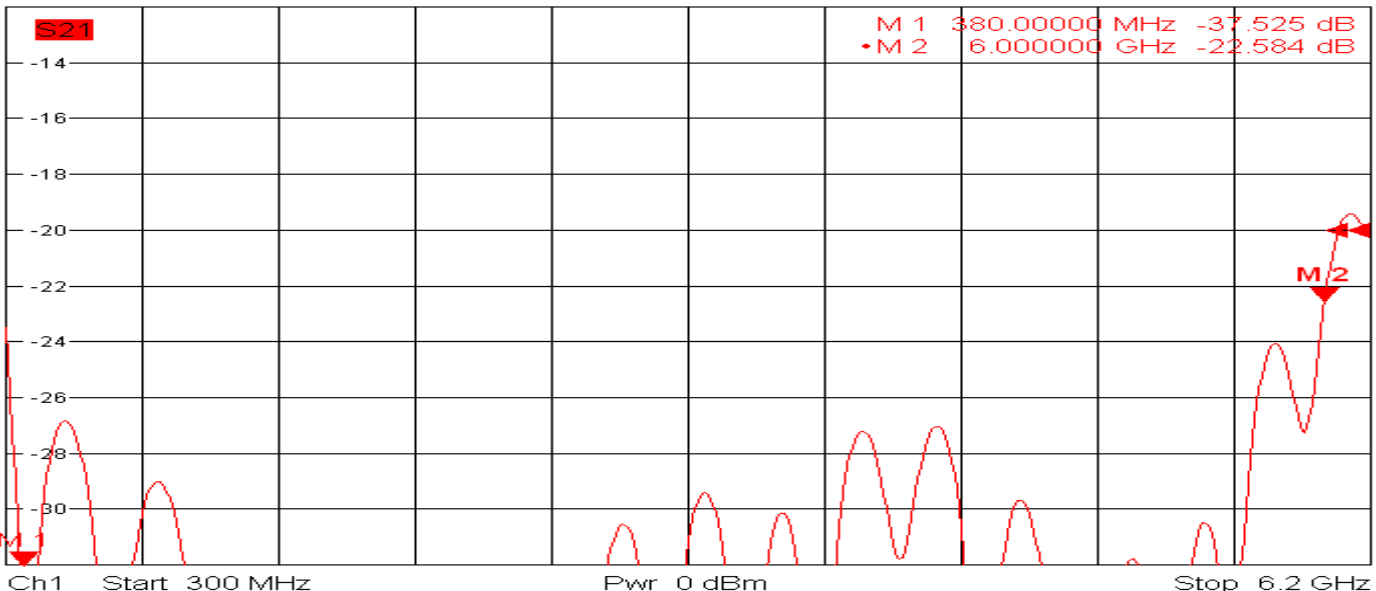


10/26/2019, 2:52 PM



Trc2 **S21** dB Mag 2 dB / Ref -20 dB Cal Invisible 2 of 4 (Max)

Mem6[Trc2] **S21** dB Mag 2 dB / Ref -20 dB Invisible



10/26/2019, 2:52 PM