

Part No.: RS2W0410-S

Power divider/Combiner 2 Way SMA 50Ω 0.4 to 1.0 GHz

电气特性 Electrical:

工作频率 Frequency Range:	0.4-1.0GHz
插入损耗 Insertion Loss:	≤0.6dB
驻波 VSWR:	≤1.30 : 1 (Max)
隔离 Isolation:	≥22dB
幅度平衡 Amplitude Balance:	≤±0.35dB
相位平衡 Phase Balance:	≤±3°
耐功率 Power Handling:	≤30Watt
阻抗 Impedance:	50 OHMS

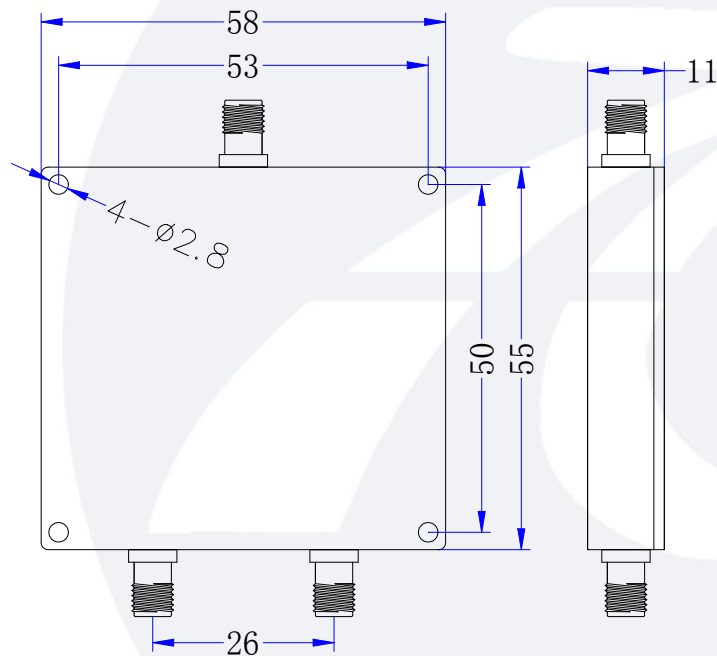


机械特性 Mechanical:

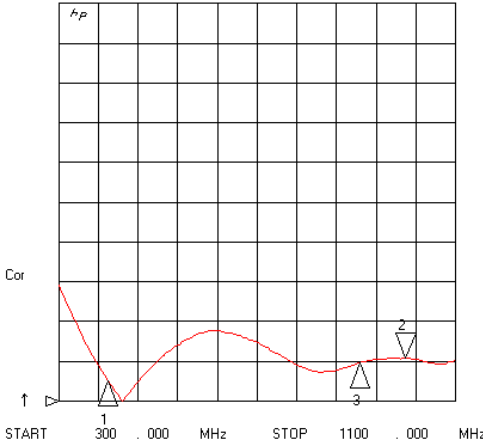
温度范围 Temperature Range:	-55° C - +85° C
接口 Connectors:	SMA-Female
相对湿度 Relative Humidity:	0 ~ 90%

外形尺寸 Outline Drawing:

Unit: mm



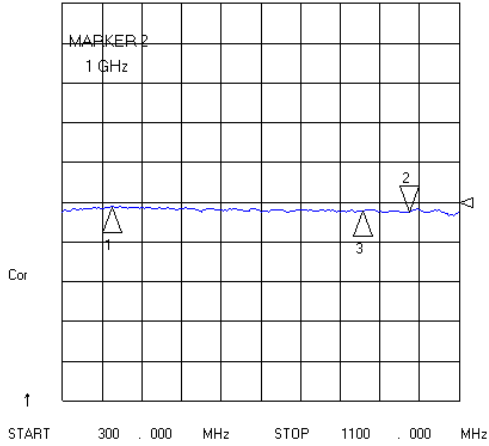
CH1 SWR 100 m / REF 1
S11 2 : 1. 1079 1. 000 000 000 GHz



CH1 Markers
1 : 1. 0503
400 . 000 MHz
3 : 1. 0967
907 . 120 MHz

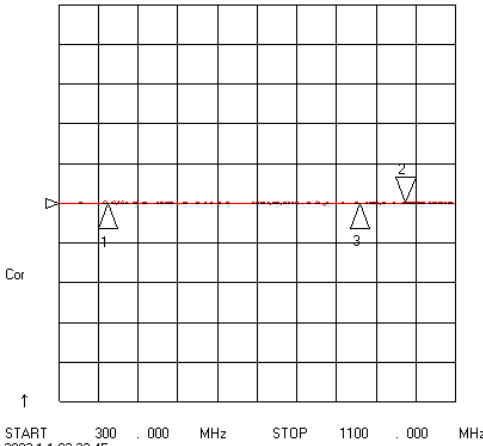
4 Nov 2019 07:38:10

CH2 LOG 6 dB / REF -3 dB
S21 2 : -3 . 1430 dB 1. 000 000 000 GHz



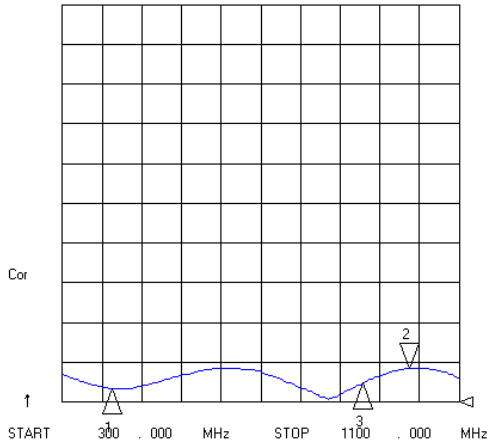
CH2 Markers
1 : -3 . 0750 dB
400 . 000 MHz
3 : -3 . 1240 dB
907 . 120 MHz

CH3 PHA 3 ° / REF 0 °
S12/M 2 : 87 . 891 m ° 1. 000 000 000 GHz



CH3 Markers
1 : 4. 1199 m °
400 . 000 MHz
3 : 41 . 583 m °
907 . 120 MHz

CH4 SWR 100 m / REF 1
S22 2 : 1. 0856 1. 000 000 000 GHz



CH4 Markers
1 : 1. 0343
400 . 000 MHz
3 : 1. 0482
907 . 120 MHz