

**Part No.: RS2W0520-S**

**Power divider/Combiner 2 Way SMA 50Ω 0.5 to 2.0 GHz**

### 电气特性 Electrical:

工作频率 Frequency Range:	0.5-2.0GHz
插入损耗 Insertion Loss:	≤0.5dB
驻波 VSWR:	≤1.30 : 1 (Max)
隔离 Isolation:	≥18dB
幅度平衡 Amplitude Balance:	≤±0.3dB
相位平衡 Phase Balance:	≤±5°
耐功率 Power Handling:	≤30Watt
阻抗 Impedance:	50 OHMS

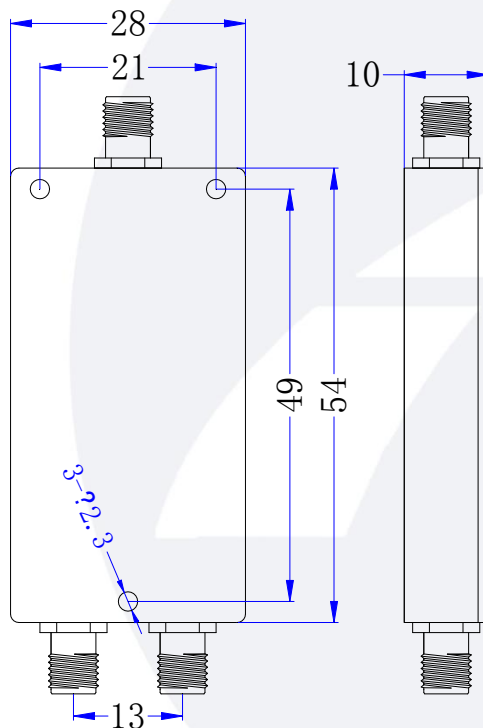


### 机械特性 Mechanical:

温度范围 Temperature Range:	-55° C - +85° C
接口 Connectors:	SMA-Female
相对湿度 Relative Humidity:	0 ~ 90%

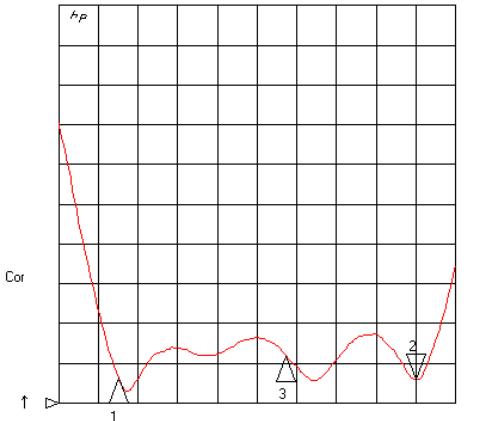
### 外形尺寸 Outline Drawing:

Unit: mm

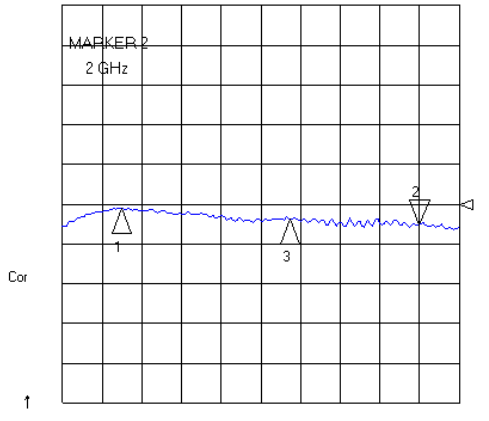


15 Mar 2019 07:47:14

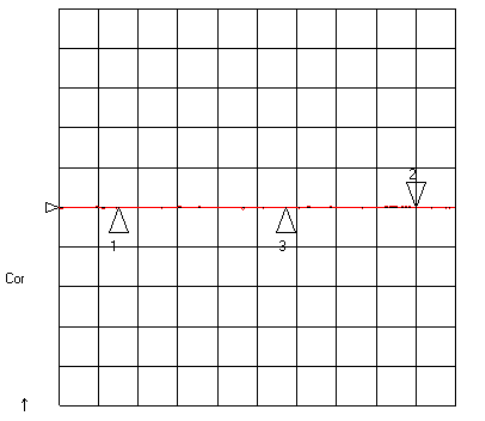
CH1 SWR 100 m / REF 1  
S11 2 : 1.0591 2.000 000 000 GHz



CH2 LOG 5 dB / REF -3 dB  
S21 2 : -3.2570 dB 2.000 000 000 GHz



CH3 PHA 5 ° / REF 0 °  
S12/M 2 : -17.853 m ° 2.000 000 000 GHz



CH4 SWR 100 m / REF 1  
S22 2 : 1.0123 2.000 000 000 GHz

