

Part No.:RS2W1080-S

Power divider/Combiner 2 Way SMA 50Ω 1 to 8GHz

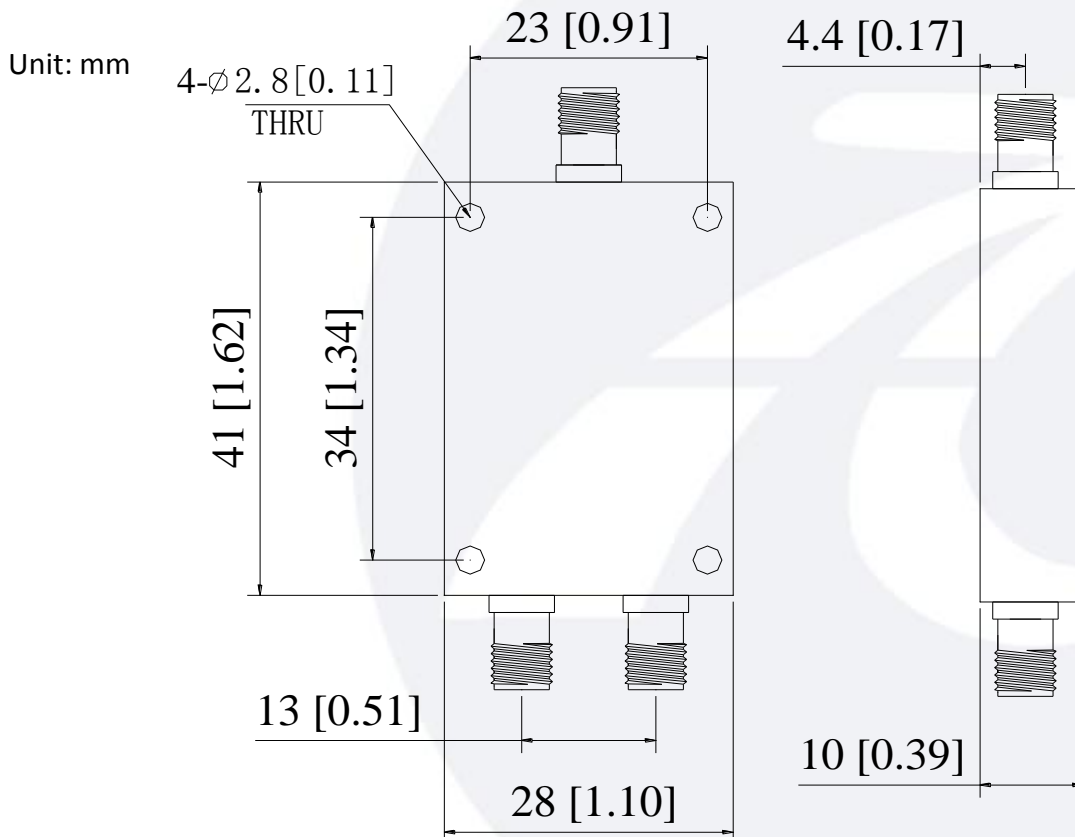
电气特性 Electrical:

工作频率 Frequency Range: 1-8 GHz
 插入损耗 Insertion Loss: ≤1.0dB
 驻波 VSWR: ≤1.5 : 1
 隔离 Isolation: ≥20dB
 幅度平衡 Amplitude Balance: ≤±0.4dB
 相位平衡 Phase Balance: ≤±5°
 耐功率 Power Handling: 30 Watt
 阻抗 Impedance: 50 OHMS

机械特性 Mechanical :

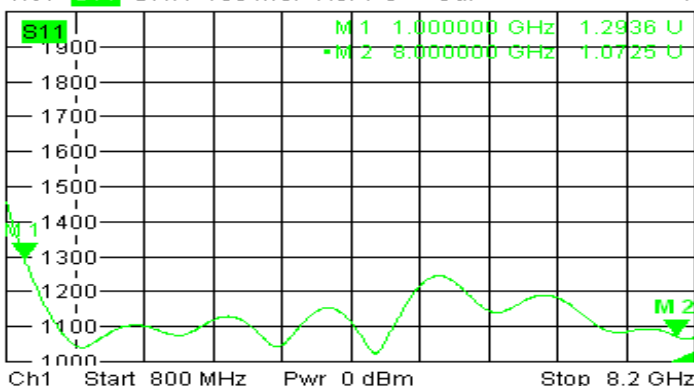
温度范围 Temperature Range: -55° C - +85° C
 接口 Connectors: SMA-Female
 相对湿度 Relative Humidity: 0 ~ 90%

外形尺寸 Outline Drawing:

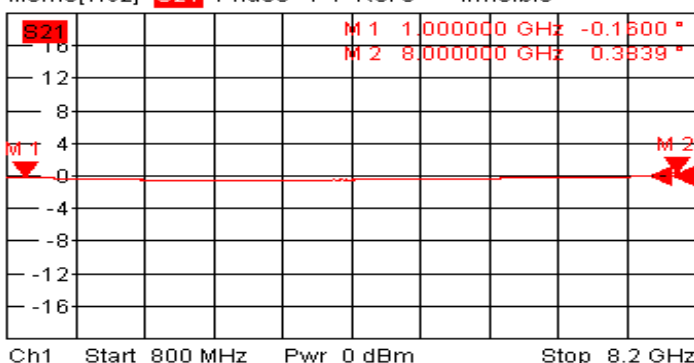




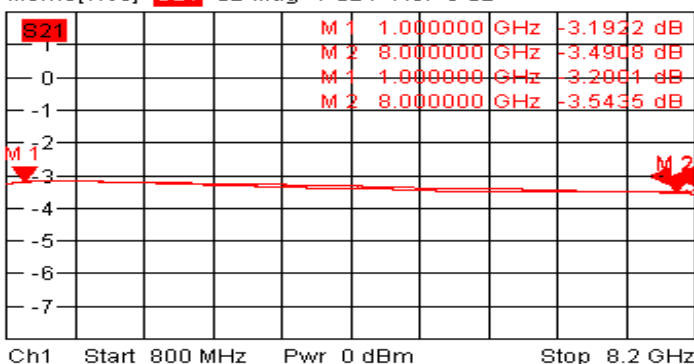
Trc1 **S11** SWR 100 mU/ Ref1 U Cal 1



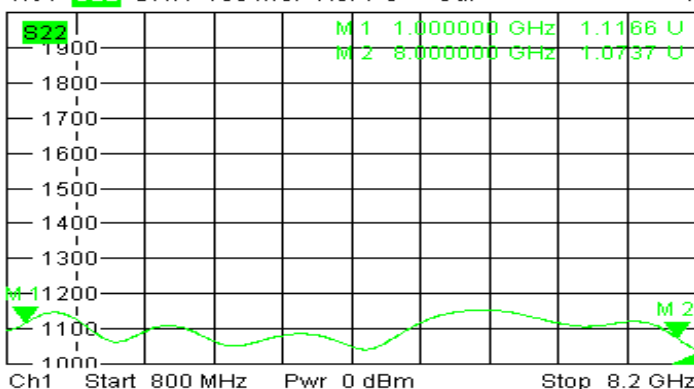
Trc2 **S21** Phase 4° / Ref 0° Cal Math 2
Mem6[Trc2] **S21** Phase 4° / Ref 0° Invisible



Trc3 **S21** dB Mag 1 dB / Ref -3 dB Cal 3
Mem5[Trc3] **S21** dB Mag 1 dB / Ref -3 dB



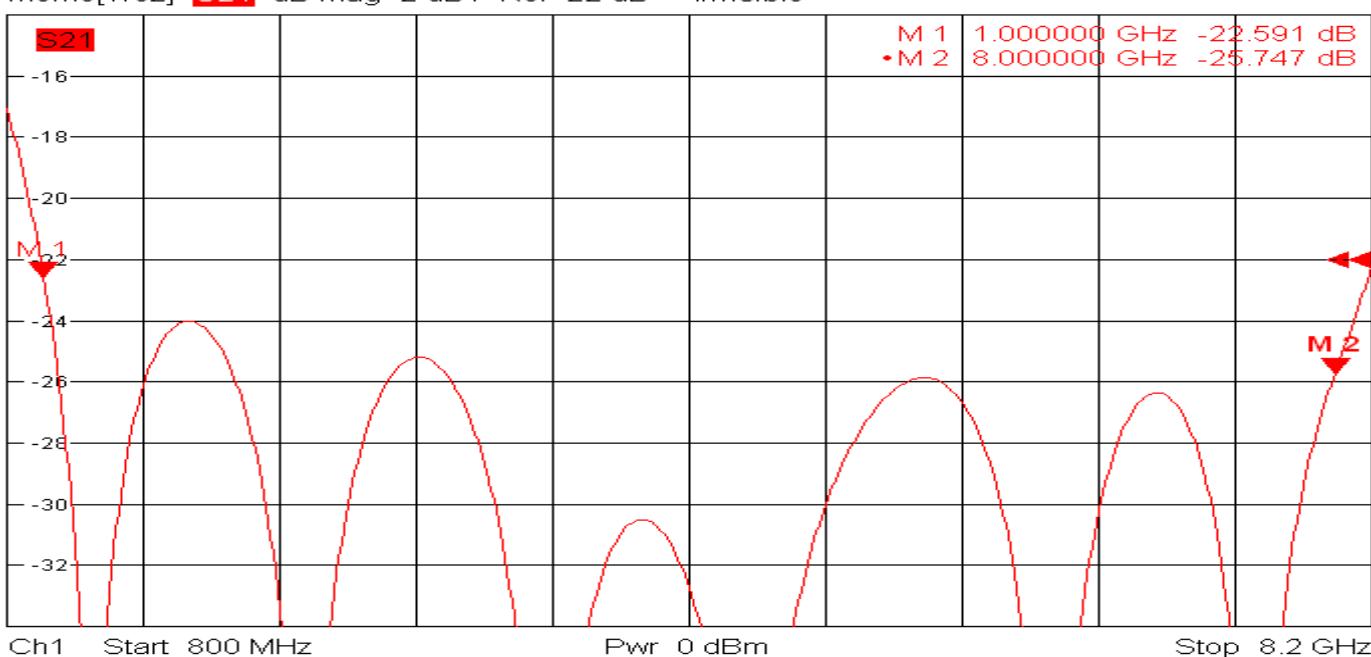
Trc4 **S22** SWR 100 mU/ Ref1 U Cal 4



8/29/2019, 11:14 AM



Trc2 **S21** dB Mag 2 dB / Ref -22 dB Cal 2 of 4 (Max)
Mem6[Trc2] **S21** dB Mag 2 dB / Ref -22 dB Invisible



8/29/2019, 11:25 AM