

Part No.: RRS2W20124-N

Power divider/Combiner 2Way N 50Ω 2 to 12.4 GHz

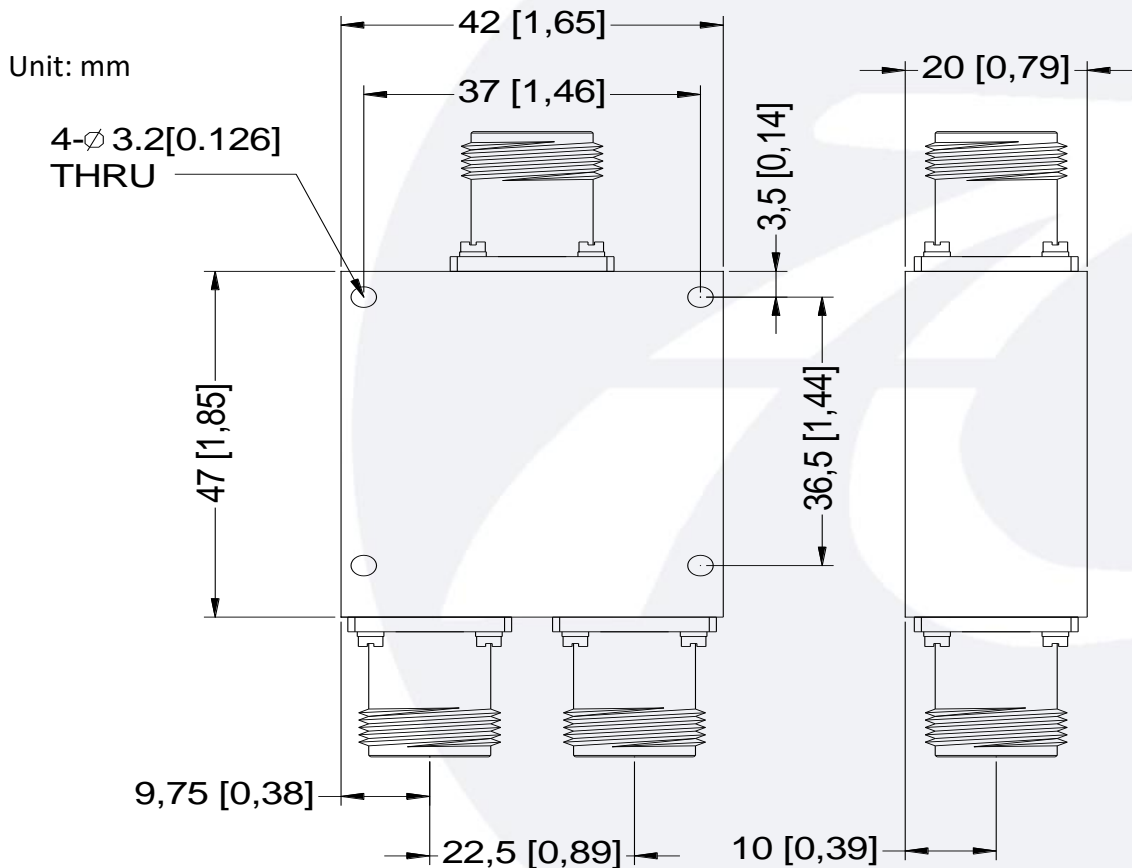
电气特性 Electrical:

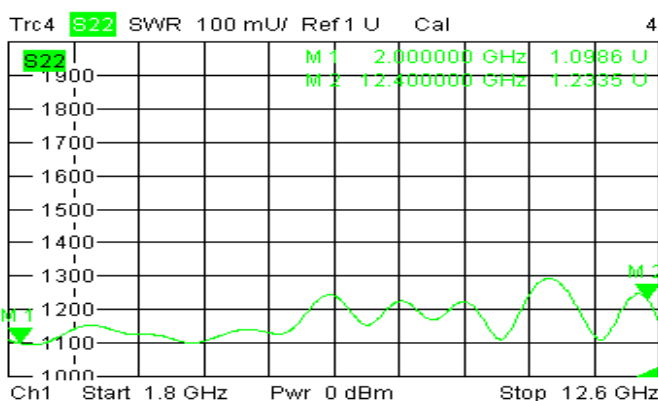
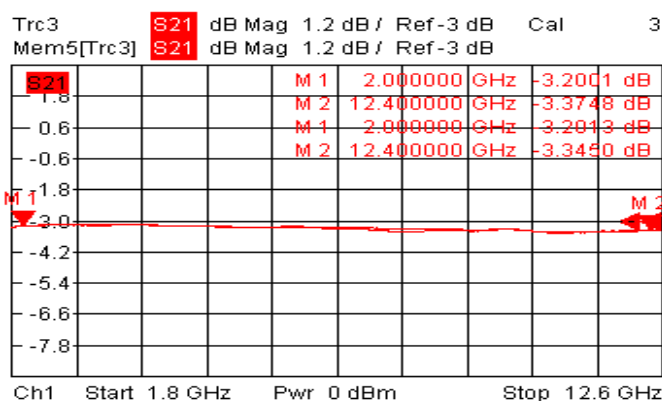
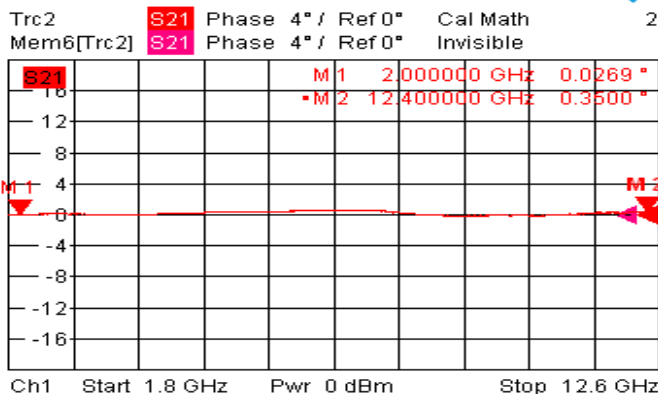
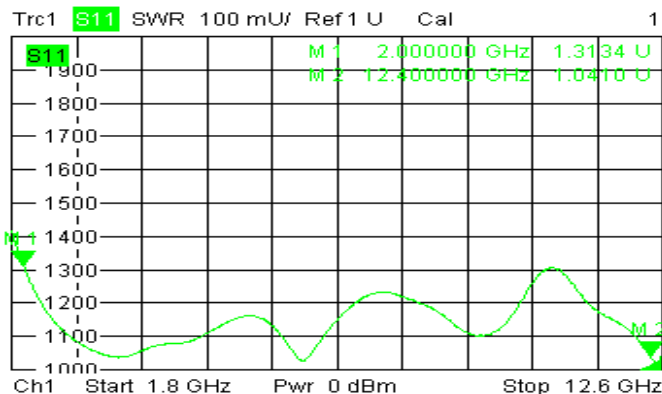
工作频率 Frequency Range: 2-12.4 GHz
 插入损耗 Insertion Loss: ≤1.2dB
 驻波 VSWR: ≤1.5 : 1
 隔离 Isolation: ≥18dB
 幅度平衡 Amplitude Balance: ≤±0.4dB
 相位平衡 Phase Balance: ≤±5°
 耐功率 Power Handling: 20 Watt
 阻抗 Impedance: 50 OHMS

机械特性 Mechanical :

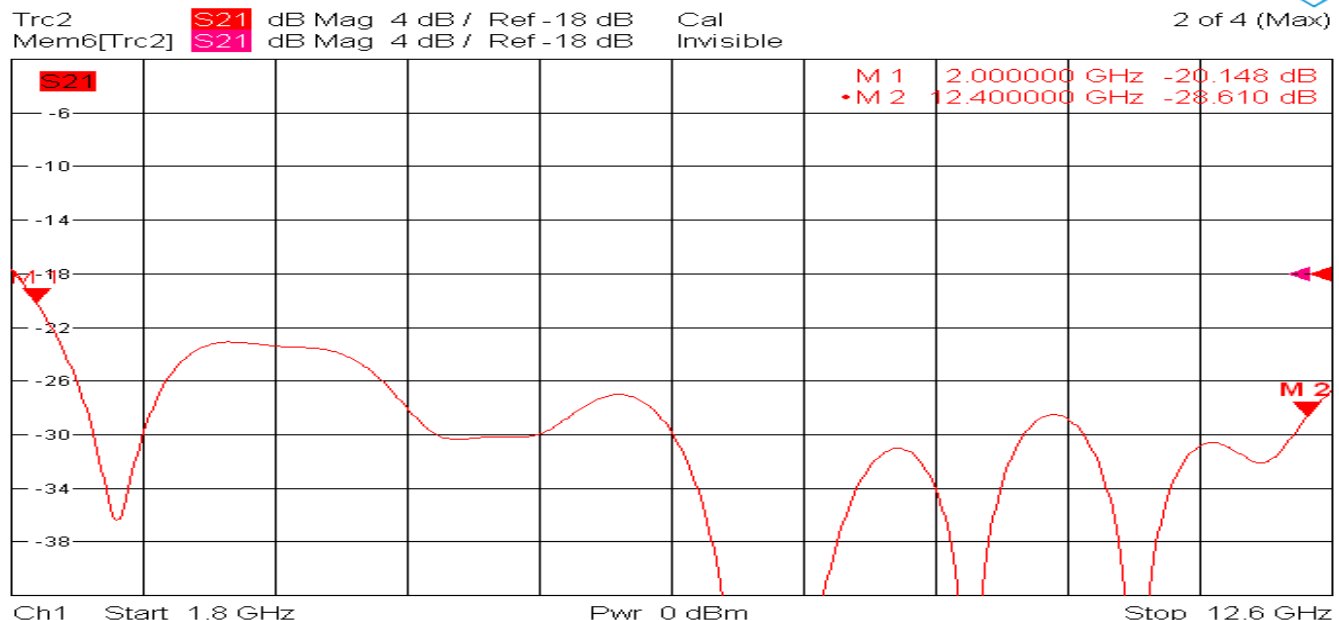
温度范围 Temperature Range: -55° C - +85° C
 接口 Connectors: N-Female
 相对湿度 Relative Humidity: 0 ~ 90%

外形尺寸 Outline Drawing:





11/4/2019, 10:47 AM



11/4/2019, 11:05 AM