

**Part No.: RS2W20124-S**

**Power divider/Combiner 2 Way SMA 50Ω 2 to 12.4 GHz**

**电气特性 Electrical:**

工作频率 Frequency Range:	2-12.4GHz
插入损耗 Insertion Loss:	≤1.2dB
驻波 VSWR:	≤1.50 : 1
隔离 Isolation:	≥18dB
幅度平衡 Amplitude Balance:	≤±0.6dB
相位平衡 Phase Balance:	≤±5°
耐功率 Power Handling:	30Watt
阻抗 Impedance:	50 OHMS

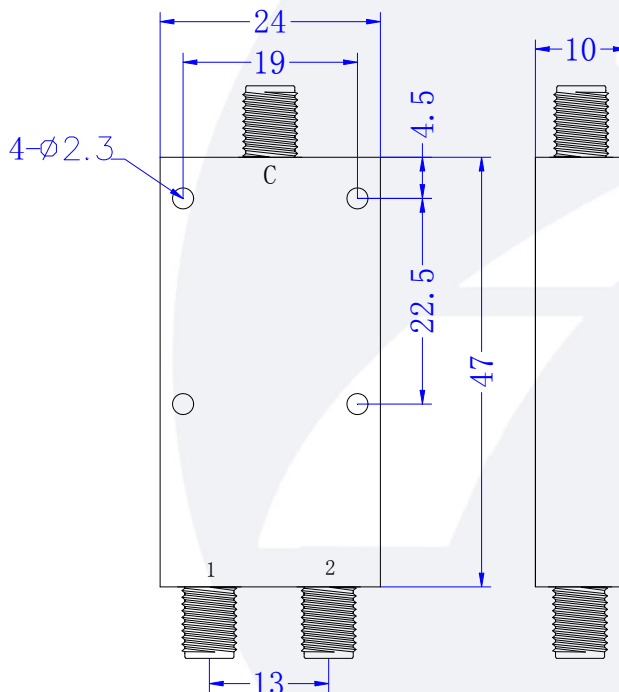


**机械特性 Mechanical :**

温度范围 Temperature Range:	-55° C - +85° C
接口 Connectors:	SMA-Female
相对湿度 Relative Humidity:	0 ~ 90%

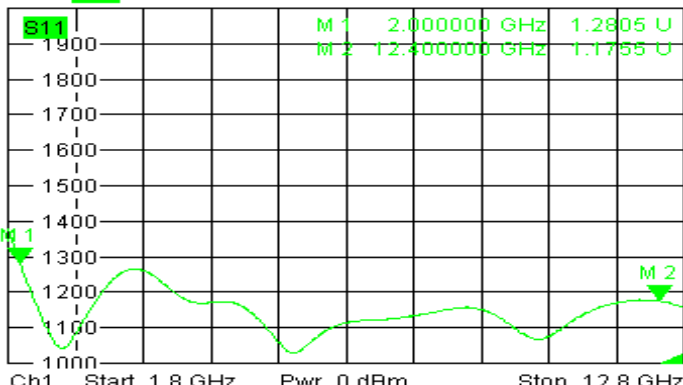
**外形尺寸 Outline Drawing:**

Unit: mm

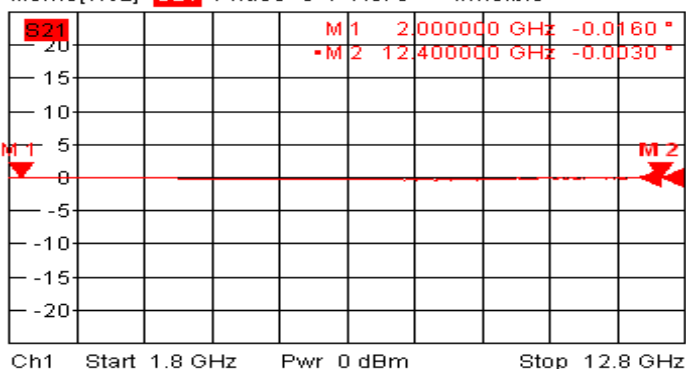




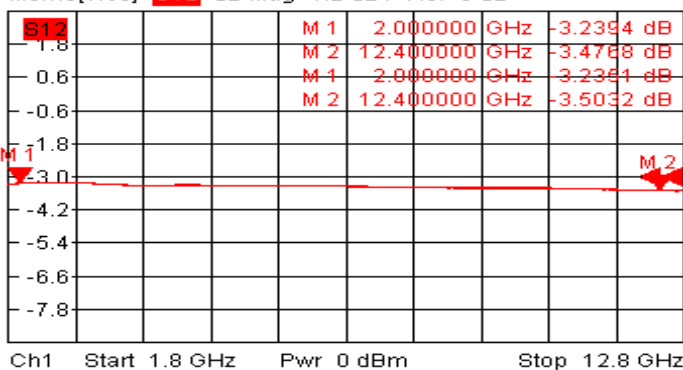
Trc1 **S11** SWR 100 mU/ Ref 1 U Cal 1



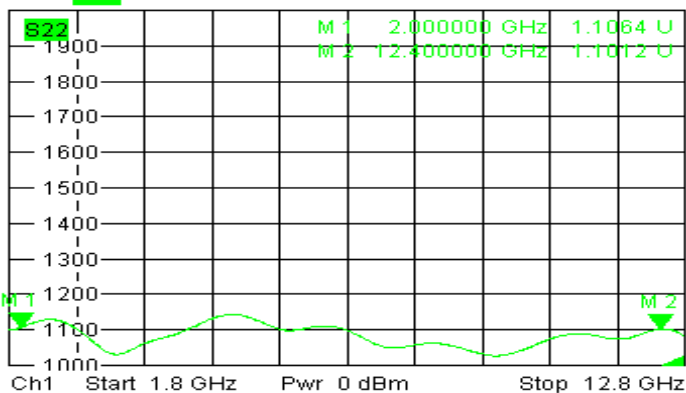
Trc2 **S21** Phase 5° / Ref 0° Cal Math 2  
Mem6[Trc2] **S21** Phase 5° / Ref 0° Invisible



Trc3 **S12** dB Mag 1.2 dB / Ref -3 dB Cal 3  
Mem5[Trc3] **S12** dB Mag 1.2 dB / Ref -3 dB



Trc4 **S22** SWR 100 mU/ Ref 1 U Cal 4



Trc2 **S21** dB Mag 2 dB / Ref -18 dB Cal  
Mem6[Trc2] **S21** dB Mag 2 dB / Ref -18 dB Invisible

2 of 4 (Max)

