

**Part No.: RS2W40180-S**

**Power divider/Combiner 2 Way SMA 50Ω 4 to 18 GHz**

### 电气特性 Electrical:

工作频率 Frequency Range:	4-18GHz
插入损耗 Insertion Loss:	≤1.2dB
驻波 VSWR:	≤1.50 : 1
隔离 Isolation:	≥16dB
幅度平衡 Amplitude Balance:	≤±0.4dB
相位平衡 Phase Balance:	≤±5°
耐功率 Power Handling:	30Watt
阻抗 Impedance:	50 OHMS

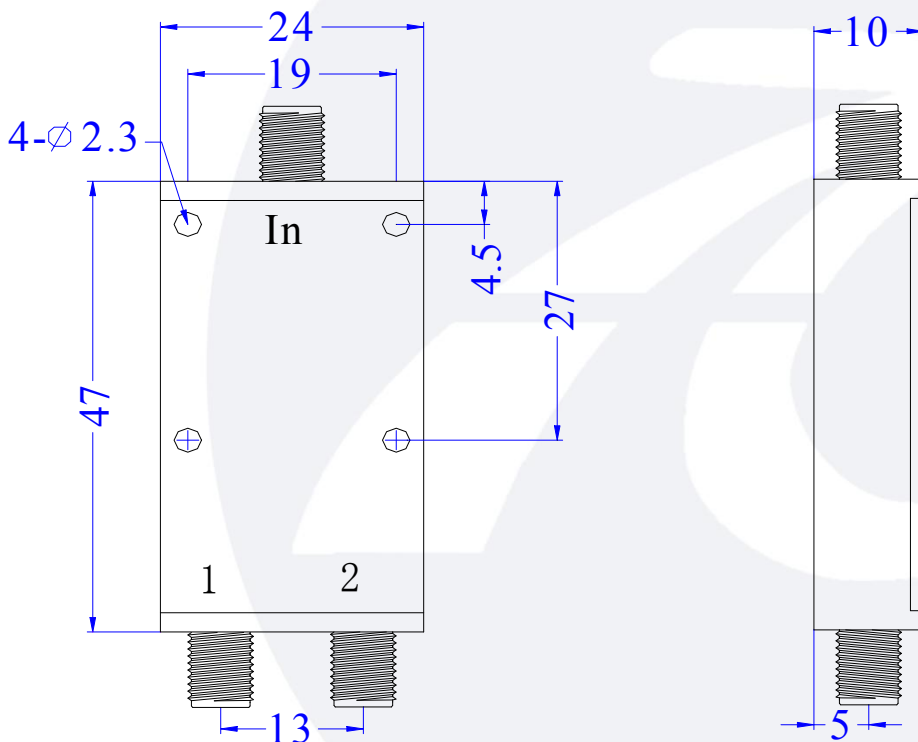


### 机械特性 Mechanical :

温度范围 Temperature Range:	-45° C - +85° C
接口 Connectors:	SMA-Female
相对湿度 Relative Humidity:	0 ~ 90%

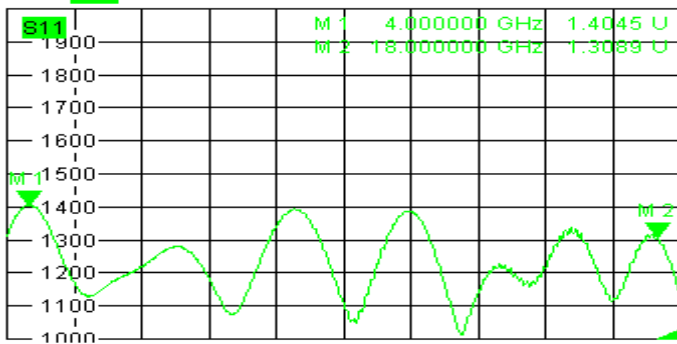
### 外形尺寸 Outline Drawing:

Unit: mm

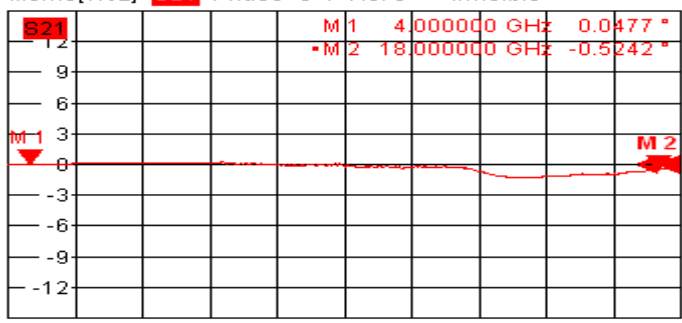




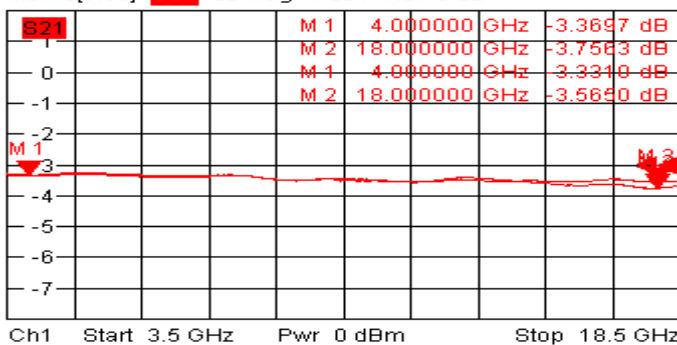
Trc1 **S11** SWR 100 mU/ Ref 1 U Cal 1



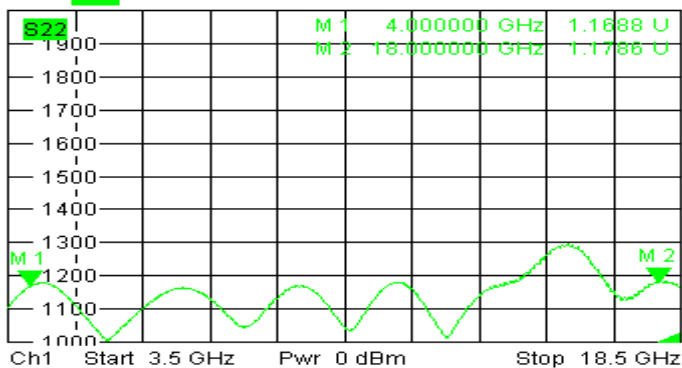
Trc2 **S21** Phase 3° / Ref 0° Cal Math 2  
Mem5[Trc2] **S21** Phase 3° / Ref 0° Invisible



Trc3 **S21** dB Mag 1 dB / Ref -3 dB Cal 3  
Mem6[Trc3] **S21** dB Mag 1 dB / Ref -3 dB



Trc4 **S22** SWR 100 mU/ Ref 1 U Cal 4



Trc2 **S21** dB Mag 2 dB / Ref -18 dB  
Mem5[Trc2] **S21** dB Mag 2 dB / Ref -18 dB

Cal Invisible 2 of 4 (Max)

