

Part No.: RS2W60265-S

Power divider/Combiner 2 Way SMA 50Ω 6 to 26.5 GHz

电气特性 Electrical:

工作频率 Frequency Range: 6-26.5 GHz

插入损耗 Insertion Loss: $\leq 1.1\text{dB}$

驻波 VSWR: $\leq 1.7/1.5: 1$

隔离 Isolation: $\geq 16\text{dB}$

幅度平衡 Amplitude Balance: $\leq \pm 0.3\text{dB}$

相位平衡 Phase Balance: $\leq \pm 3^\circ$

耐功率 Power Handling: 30 Watt

方向功率 Reverse Power : 2 Watt

阻抗 Impedance: 50 OHMS

机械特性 Mechanical :

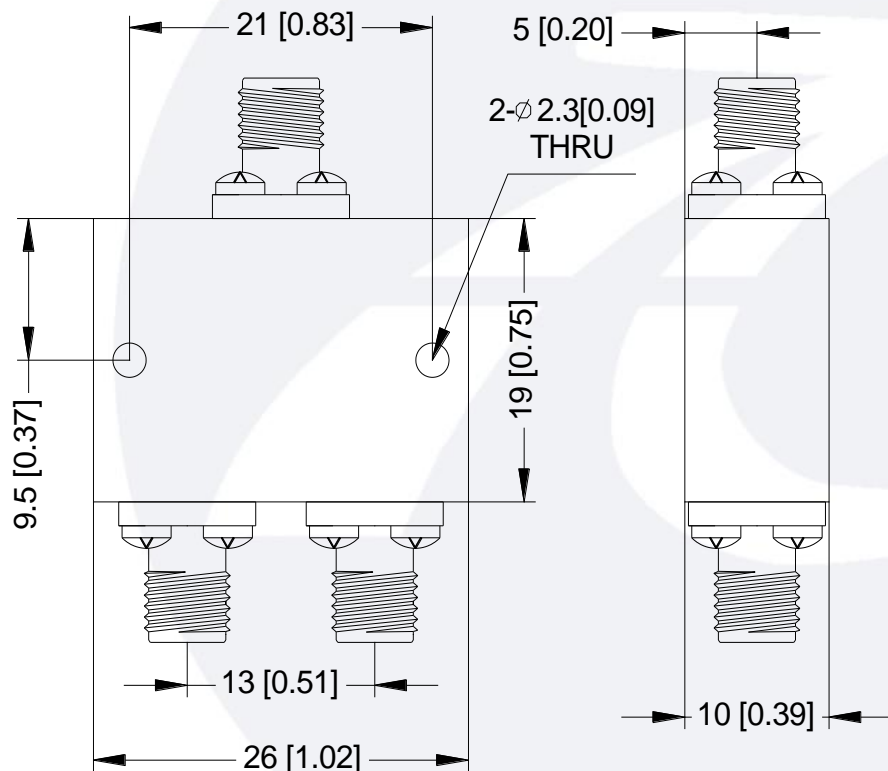
温度范围 Temperature Range: $-55^\circ\text{C} - +85^\circ\text{C}$

接口 Connectors: SMA-Female

相对湿度 Relative Humidity: 0 ~ 90%

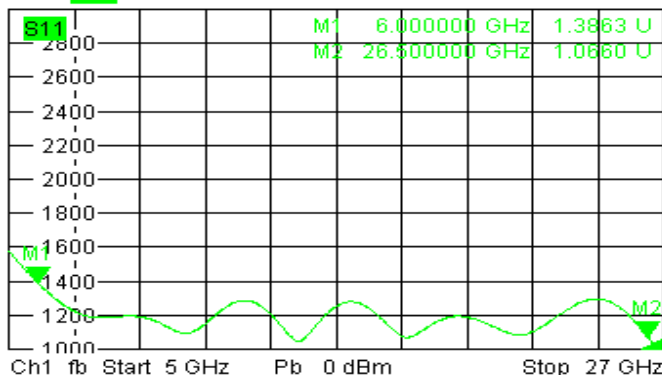
外形尺寸 Outline Drawing:

Unit: mm

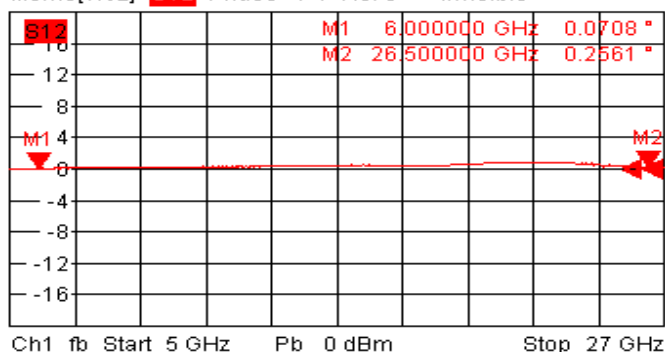




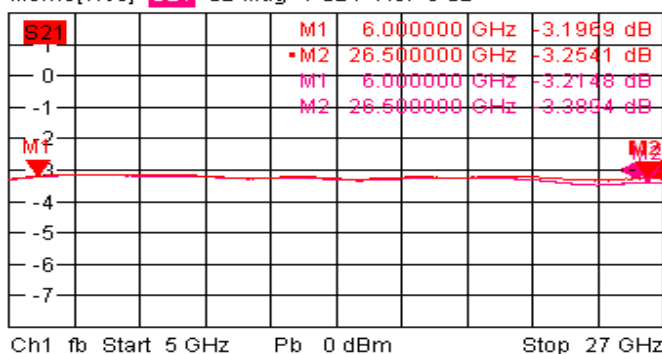
Trc1 **S11** SWR 200 mU/ Ref1 U Cal 1



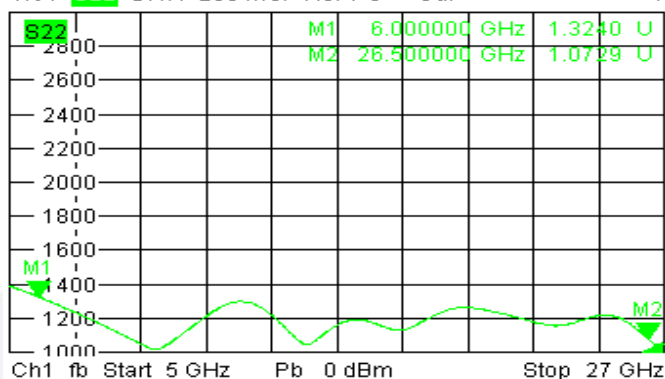
Trc2 **S12** Phase 4° / Ref 0° Cal Math 2
Mem5[Trc2] **S12** Phase 4° / Ref 0° Invisible



Trc3 **S21** dB Mag 1 dB / Ref -3 dB Cal 3
Mem6[Trc3] **S21** dB Mag 1 dB / Ref -3 dB



Trc4 **S22** SWR 200 mU/ Ref1 U Cal 4

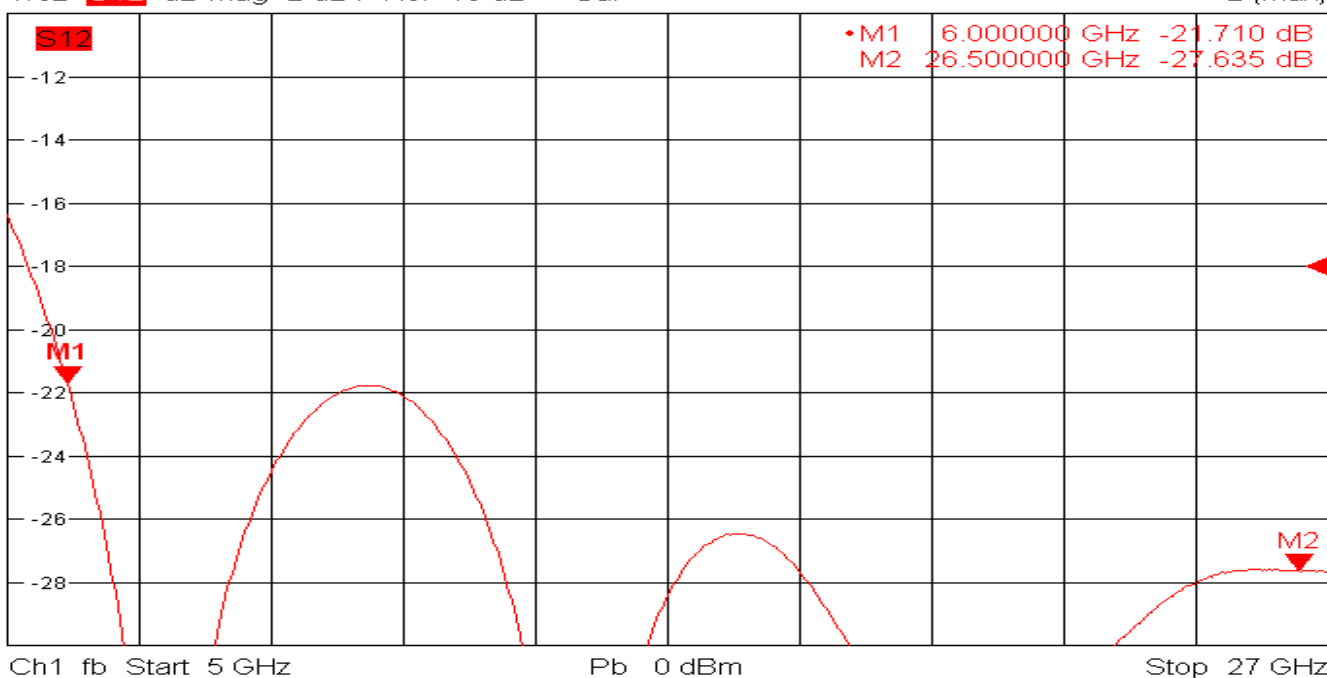


2/18/2020, 2:27 AM



Trc2 **S12** dB Mag 2 dB / Ref -18 dB Cal

2 (Max)



2/18/2020, 3:01 AM