

Part No.: TC-0460-30S

30dB Directional Coupler SMA- Female 50Ω 400-6000MHz

电气特性 Electrical:

工作频率 Frequency Range: 400-6000MHz
 耦合度 Coupling: $30 \pm 1.5\text{dB}$
 插入损耗 Insertion Loss: $\leq 1.0\text{dB}$
 驻波 VSWR: $\leq 1.5:1$
 方向性 Directivity: $\geq 10\text{dB}$
 耐功率 Power Handling: 30Watt
 阻抗 Impedance: 50Ω

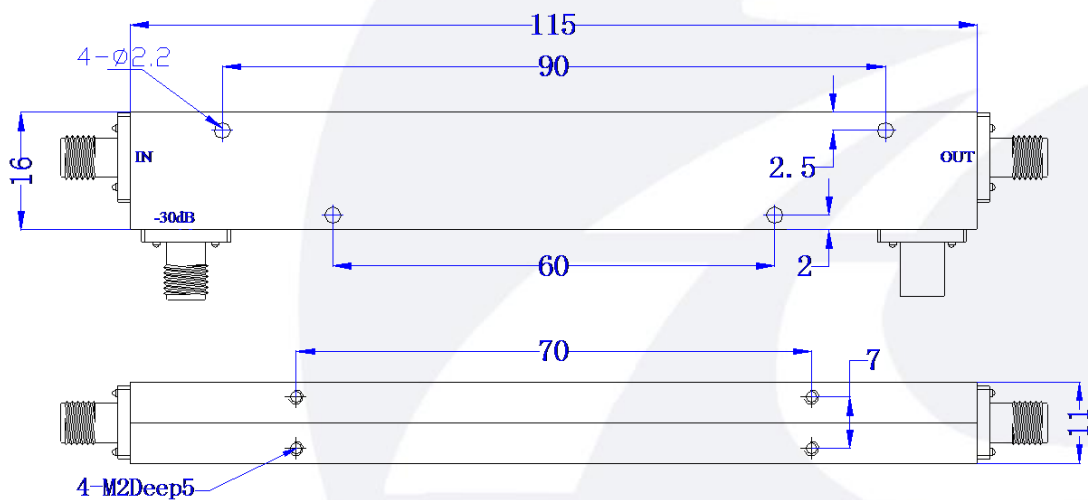


机械特性 Mechanical:

温度范围 Temperature Range: $-40^{\circ}\text{C} - +80^{\circ}\text{C}$
 接口 Connectors: SMA-Female
 相对湿度 Relative Humidity: 0 ~ 90%

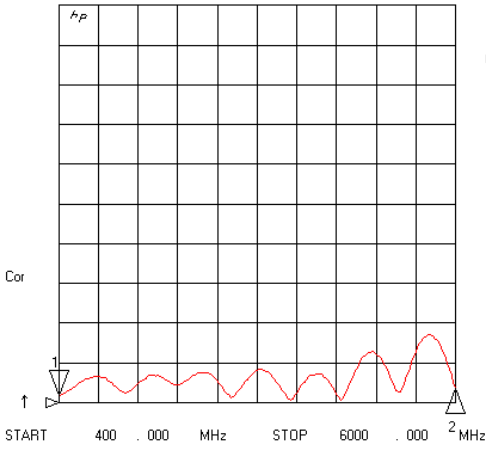
外形尺寸 Outline Drawing:

Unit: mm

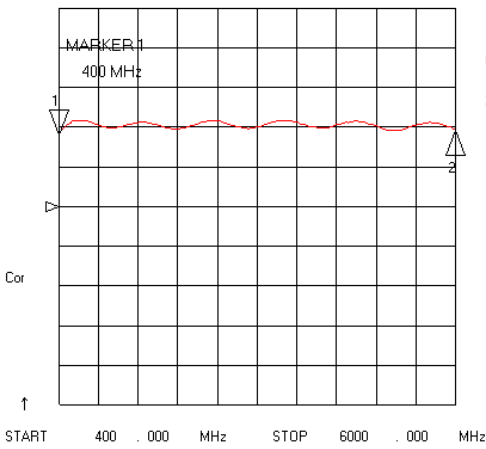


21 Apr 2017 12:28:34

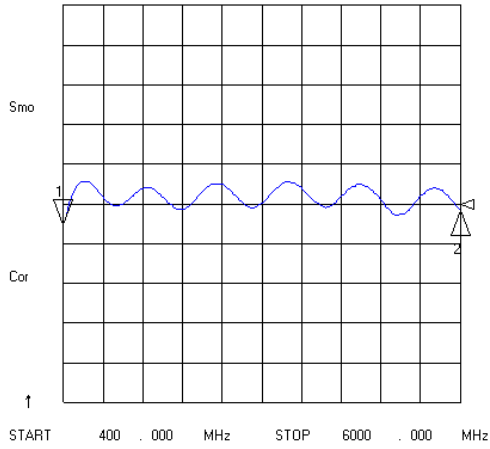
CH1 SWR 100 m / REF 1
S11 1 : 1.0167 .400 000 000 GHz



CH3 LOG 5 dB / REF -40 dB
S21 1 : -30.900 dB .400 000 000 GHz



CH2 LOG 1.5 dB / REF -30 dB
S21 1 : -30.783 dB .400 000 000 GHz



CH4 SWR 100 m / REF 1
S22 1 : 1.0276 .400 000 000 GHz

