

**Part No.:TC-10670-10-1.85**

**10dB Directional Coupler 1.85 Female 50Ω 1-67 GHz**

**电气特性 Electrical:**

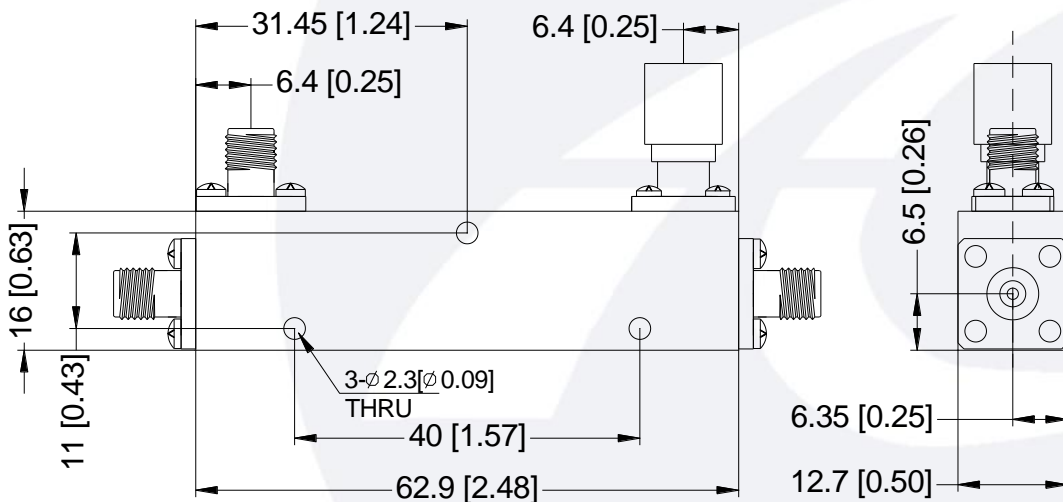
工作频率 Frequency Range: 1-67 GHz  
 耦合度 Coupling:: 10± 3.6 db  
 插入损耗 Insertion Loss: 2.6db typ, 3.2db max  
 方向性 Directivity: : 10db typ, 8db min  
 驻波 VSWR: 1.7 max  
 耐功率 Power Handling: 50 Watt  
 阻抗 Impedance: 50 OHMS

**机械特性 Mechanical:**

温度范围 Temperature Range: -45° C - +85° C  
 接口 Connectors: 1.85-Female  
 相对湿度 Relative Humidity: 0 ~ 90%

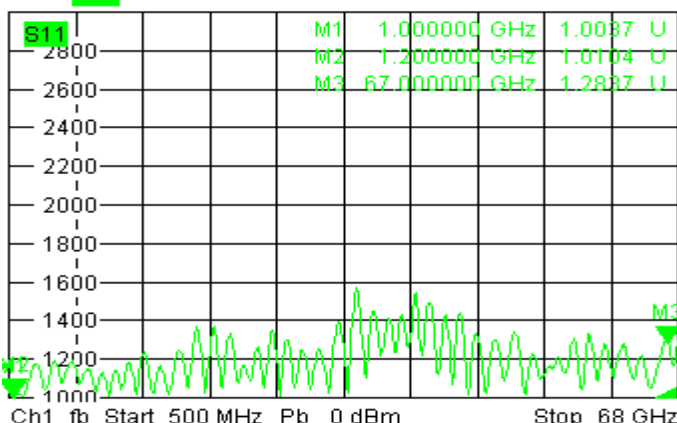
**外形尺寸 Outline Drawing:**

Unit: mm



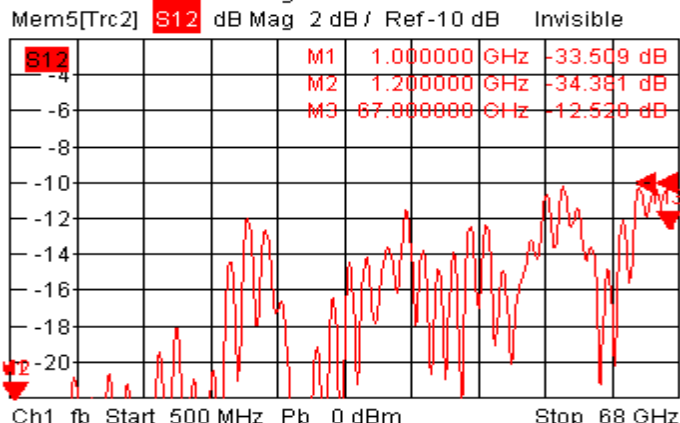


Trc1 **S11** SWR 200 mU/ Ref 1 U Cal 1



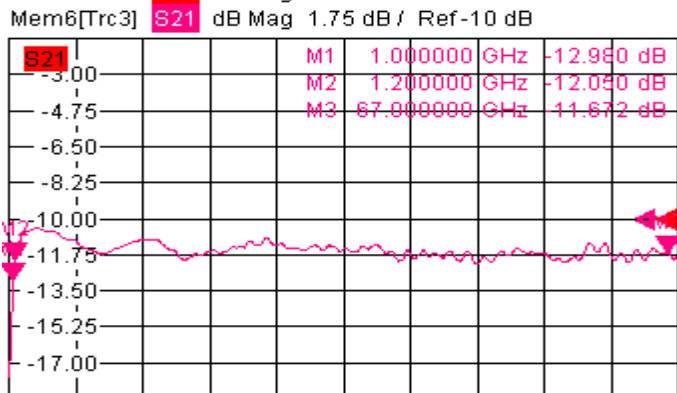
Ch1 fb Start 500 MHz Pb 0 dBm Stop 68 GHz

Trc2 **S12** dB Mag 2 dB / Ref -10 dB Cal Math 2



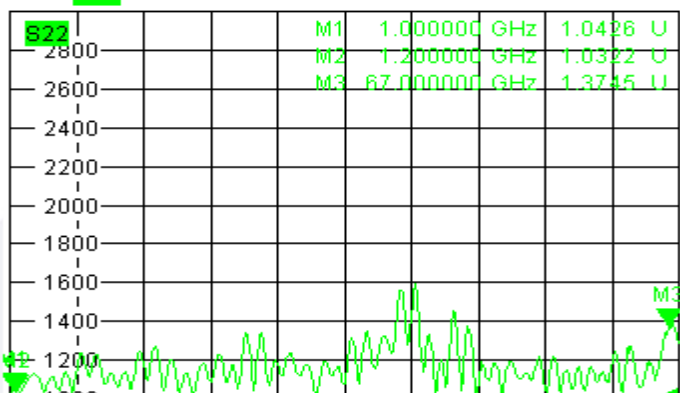
Ch1 fb Start 500 MHz Pb 0 dBm Stop 68 GHz

Trc3 **S21** dB Mag 1.75 dB / Ref -10 dB Invisible 3



Ch1 fb Start 500 MHz Pb 0 dBm Stop 68 GHz

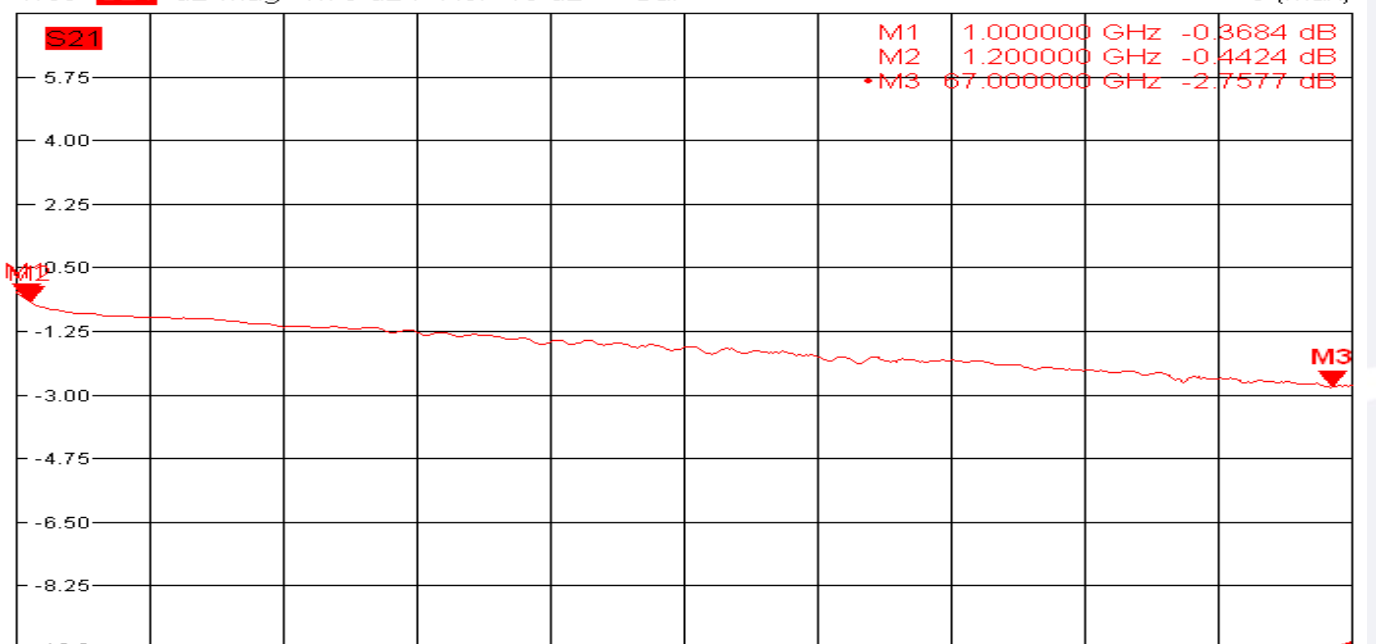
Trc4 **S22** SWR 200 mU/ Ref 1 U Cal 4



Ch1 fb Start 500 MHz Pb 0 dBm Stop 68 GHz

Trc3 **S21** dB Mag 1.75 dB / Ref -10 dB Cal

3 (Max)



Ch1 fb Start 500 MHz Pb 0 dBm Stop 68 GHz