

Part No.: TC-60265-10S

10dB Directional Coupler SMA- Female 50Ω 6-26.5 GHz

电气特性 Electrical:

工作频率 Frequency Range: 6-26.5GHz
 耦合度 Coupling: 10±1.0dB
 插入损耗 Insertion Loss: ≤1.0dB
 驻波 VSWR: ≤1.4:1
 方向性 Directivity: ≥12dB
 耐功率 Power Handling: 30Watt
 阻抗 Impedance: 50Ω

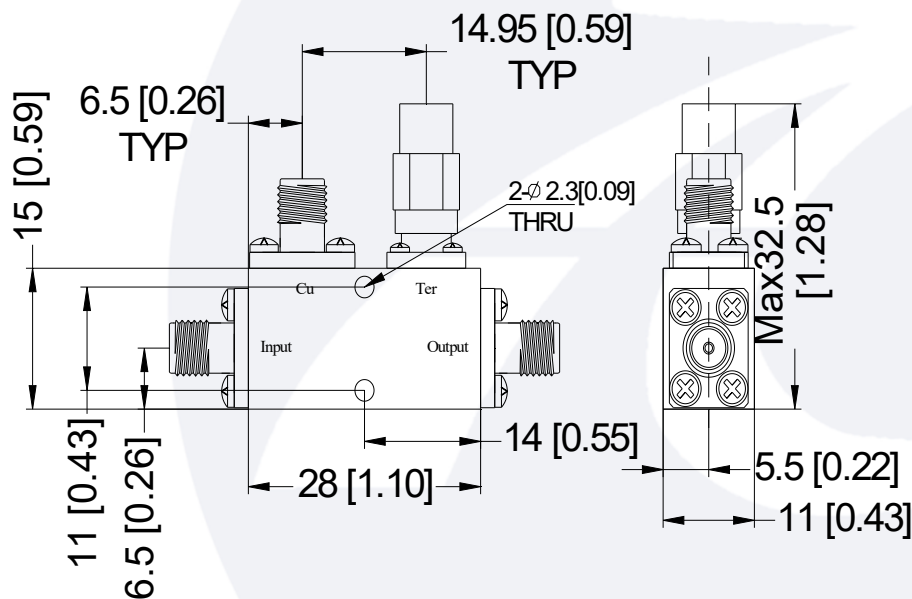


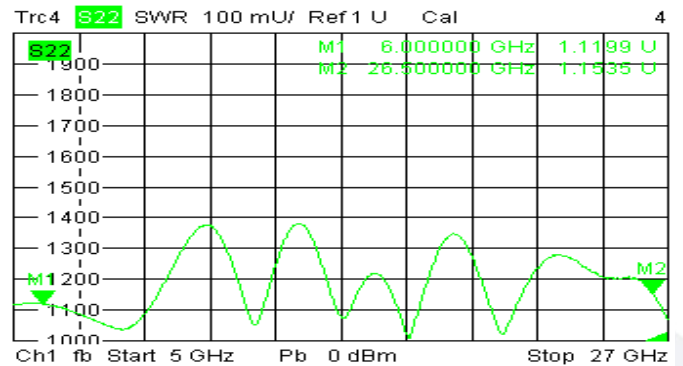
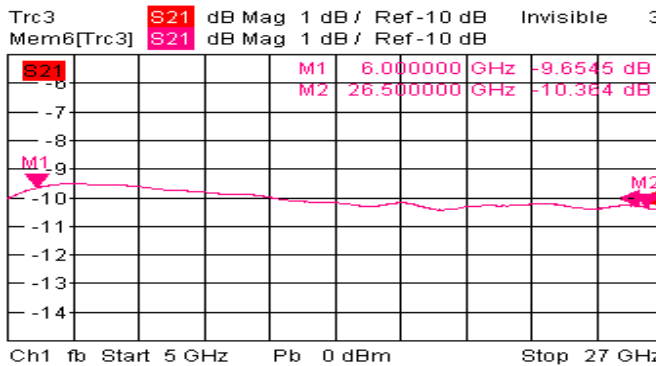
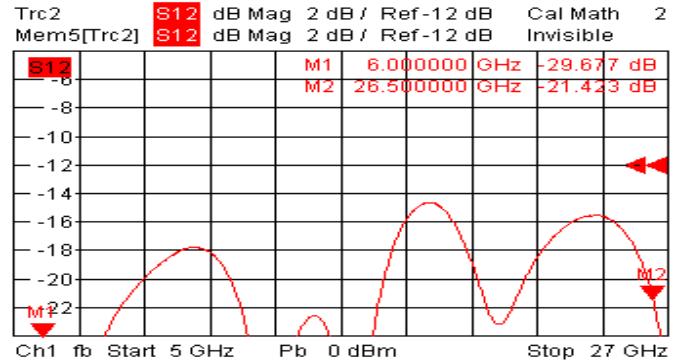
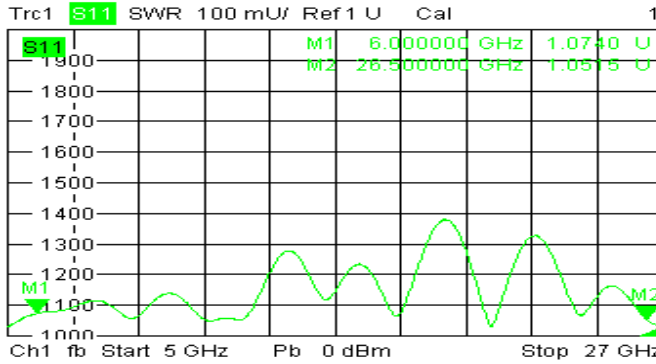
机械特性 Mechanical:

温度范围 Temperature Range: -40° C - +80° C
 接口 Connectors: SMA-Female
 相对湿度 Relative Humidity: 0 ~ 90%

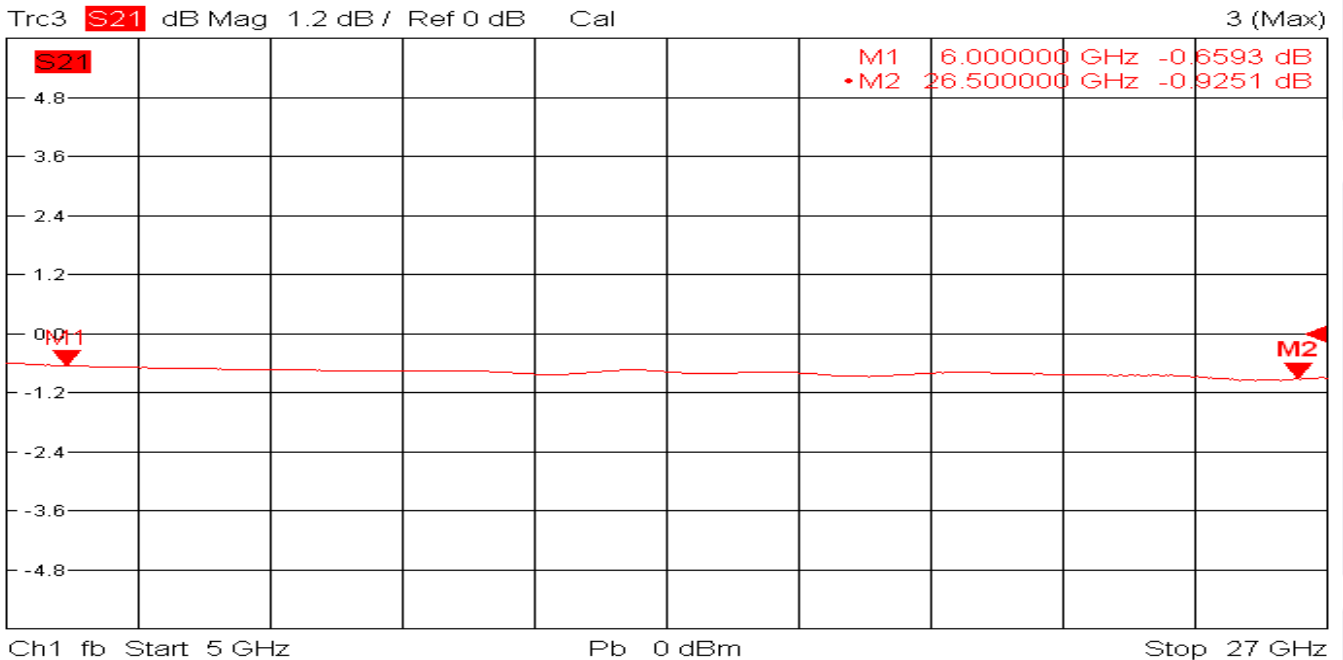
外形尺寸 Outline Drawing:

Unit: mm





12/26/2019, 12:14 PM



12/26/2019, 12:33 PM