

SP3T to SP6T Electromechanical Switch

Normally Open , DC to 40 GHz, 2.92mm, TTL, Indicators, D-SUB

电气参数 Electrical Characteristics:

参数 Parameter	指标 Value
频率范围 Frequency Range	DC-40 GHz
阻抗 RF Impedance	50 Ohms
开关模式 Operation Mode	Normally Open
TTL 电压 TTL Voltage	0-0.8 V(OFF) 2.4-5 V(ON)
开关顺序 Switch Sequence	Break before make
切换时间 Switching time	15 ms Max
开关寿命 Standard Actuator Life	2 million Min
驱动电压 Actuator Voltage Available	12 24 28 V
驱动电流 Actuator current	285 150 140 mA
指示灯参数 Indicator Specifications	Max withstand voltage: 60V Max current capacity: 100mA Max "ON" resistance: 16Ω



射频特性 RF Specifications:

频率范围 Frequency (GHz)	DC-6	6-12	12-18	18-26.5	26.5-40
插损 Insertion Loss (dB max.)	0.3	0.4	0.5	0.8	1.0
隔离 Isolation (dB min.)	70	60	60	50	50
驻波 VSWR (max.)	1.3:1	1.4:1	1.5:1	1.9:1	2.0:1
平均功率 RF Power CW (Watts max.)	80	50	45	15	8

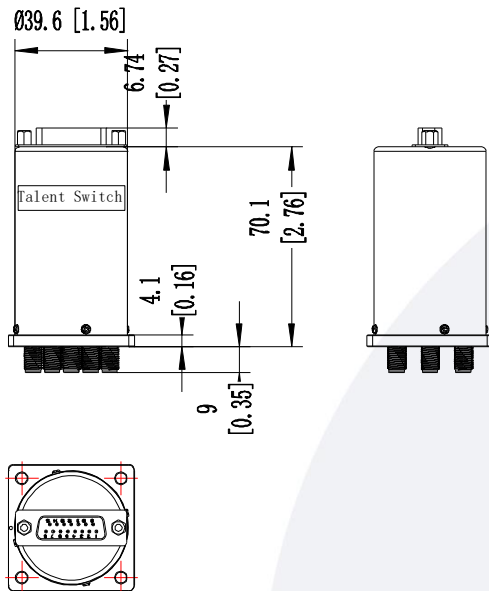
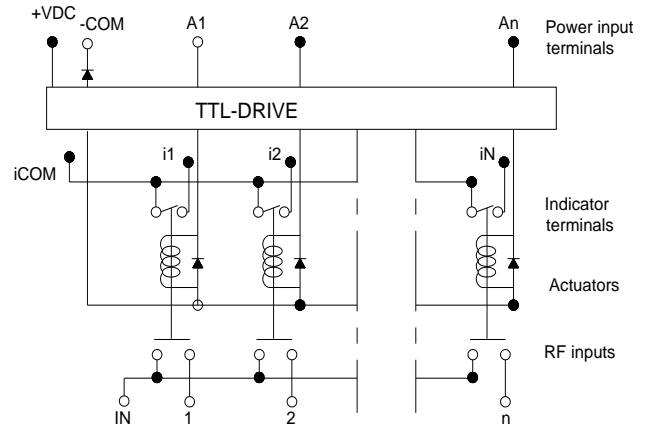
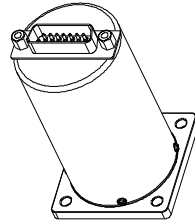
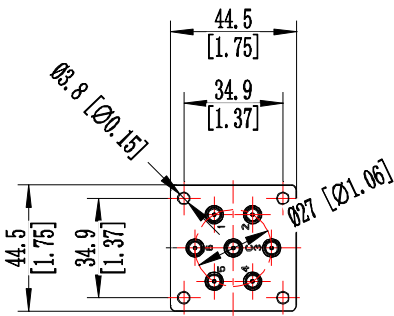
环境和物理特性 Environmental And Physical Characteristics:

参数 Parameter	指标 Value
操作温度 Operating Temperature	-25°C to +65°C (Standard) -55°C to +85°C (Optional)
震动 Vibration (operating)	10G RMS, 20-2000HZ
冲击 Shock (non operating)	50G, 1/2 Sine, 12msec
射频接口 Connector Type	2.92mm Female
控制接口 Control Connector	D-SUB 15 PIN Male
重量 Weight	285g Max

外形尺寸 Outline Drawing:

原理图 Schematic:

Unit: mm(Inch)



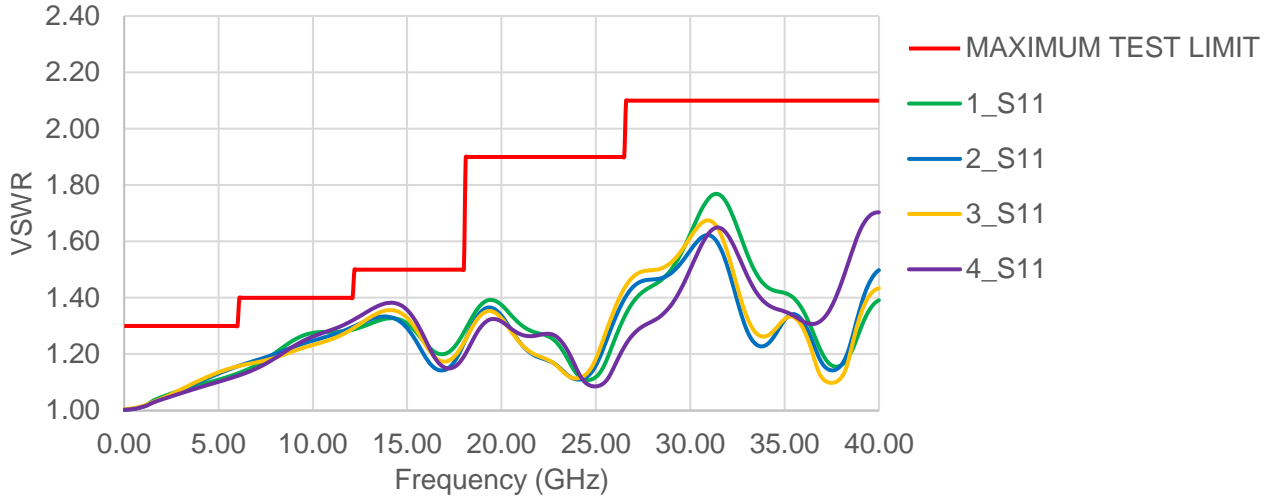
15 PIN D-SUB		RF Connect Used			
Pin NO	FUNCTION	SP3T	SP4T	SP5T	SP6T
1	A1	1	1	1	1
2	A2		2	2	2
3	A3	3		3	3
4	A4			4	4
5	A5	5	4	5	5
6	A6		5		6
7	-COM				
8	IND1	1	1	1	1
9	IND2			2	2
10	IND3	3	2	3	3
11	IND4			4	4
12	IND5	5	4	5	5
13	IND6				6
14	IND COM		5		
15	+VDC/VDCI				

标准型号 Part Number:

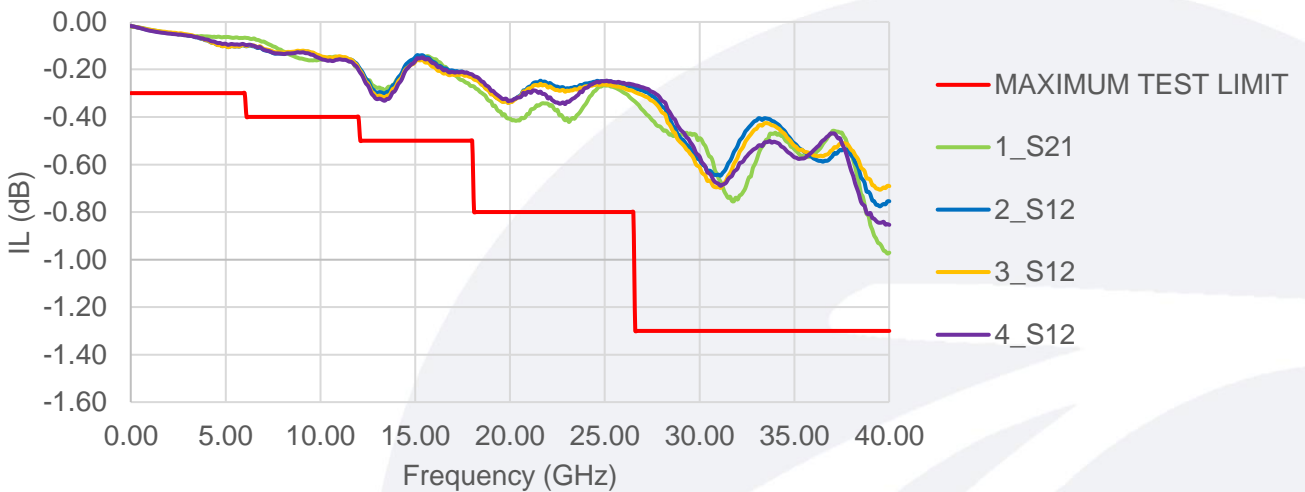
标准型号 Part Number				驱动电压 Actuator voltage	可选项 Option
SP3T	SP4T	SP5T	SP6T		
R13-KN12T40-DI	R14-KN12T40-DI	R15-KN12T40-DI	R16-KN12T40-DI	12 V	-S(-55°C - +85°C)
R13-KN24T40-DI	R14-KN24T40-DI	R15-KN24T40-DI	R16-KN24T40-DI	24 V	
R13-KN28T40-DI	R14-KN28T40-DI	R15-KN28T40-DI	R16-KN28T40-DI	28 V	

典型曲线 Typical Performance Data:

VSWR



INSERTION LOSS



ISOLATION

