

## SP3T to SP6T Electromechanical Switch

Normally Open , DC to 40 GHz, 2.92mm, TTL, D-SUB

### 电气参数 Electrical Characteristics:

参数Parameter	指标 Value		
频率范围 Frequency Range	DC-40 GHz		
阻抗 RF Impedance	50 Ohms		
开关模式 Operation Mode	Normally Open		
TTL 电压 TTL Voltage	0-0.8 V(OFF)2.4-5 V(ON)		
开关顺序 Switch Sequence	Break before make		
切换时间 Switching time	15 ms Max		
开关寿命 Standard Actuator Life	2 million Min		
驱动电压 Actuator Voltage Available	12	24	28 V
驱动电流 Actuator current	285	150	140 mA



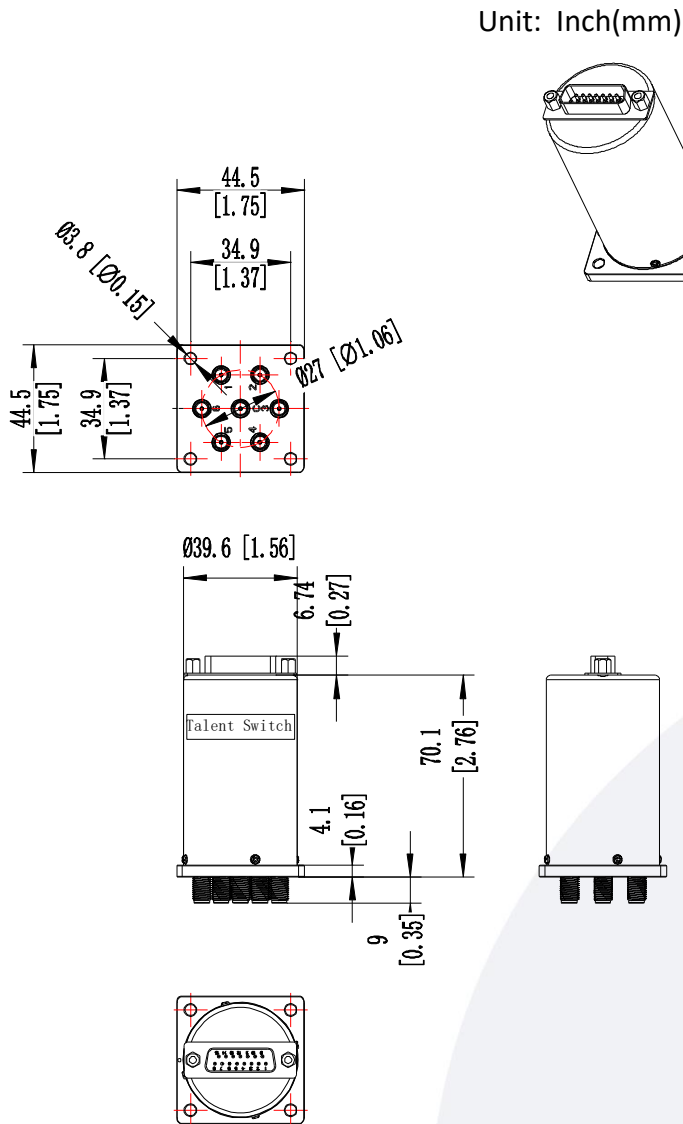
### 射频特性 RF Specifications:

频率范围 Frequency (GHz)	DC-6	6-12	12-18	18-26.5	26.5-40
插损 Insertion Loss (dB max.)	0.3	0.4	0.5	0.8	1.0
隔离 Isolation (dB min.)	70	60	60	50	50
驻波 VSWR (max.)	1.3:1	1.4:1	1.5:1	1.9:1	2.0:1
平均功率 RF Power CW (Watts max.)	80	50	45	15	8

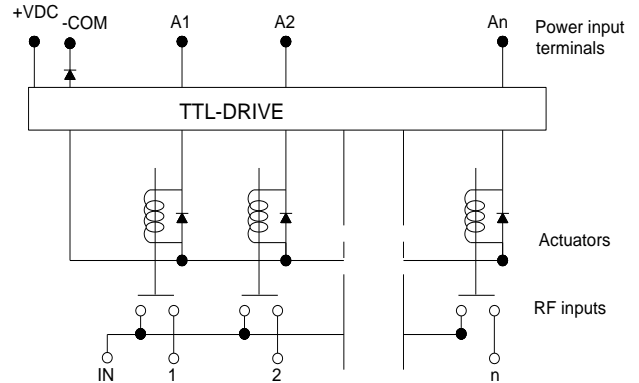
### 环境和物理特性 Environmental And Physical Characteristics:

参数Parameter	指标 Value
操作温度 Operating Temperature	-25°C to +65°C(Standard ) -55°C to +85°C(Optional)
震动 Vibration(operating)	10G RMS, 20-2000HZ
冲击 Shock(non operating)	50G, 1/2Sine, 12msec
射频接口 Connector Type	2.92mm Female
控制接口 Control Connector	D-SUB 15 PIN Male
重量 Weight	285g Max

### 外形尺寸 Outline Drawing:



### 原理图 Schematic:



Pin NO	FUNCTION	RF Connect			
		SP3T	SP4T	SP5T	SP6T
1	A1	1	1	1	1
2	A2		2	2	2
3	A3	3		3	3
4	A4		4	4	4
5	A5	5	5	5	5
6	A6				6
7	-COM				
8	NC				
9	NC				
10	NC				
11	NC				
12	NC				
13	NC				
14	NC				
15	+VDC				

### 标准型号 Part Number:

标准型号 Part Number				驱动电压 Actuator voltage	可选项 Option
SP3T	SP4T	SP5T	SP6T		
R13-KN12T40-D	R14-KN12T40-D	R15-KN12T40-D	R16-KN12T40-D	12 V	-S(-55°C - +85°C)
R13-KN24T40-D	R14-KN24T40-D	R15-KN24T40-D	R16-KN24T40-D	24 V	
R13-KN28T40-D	R14-KN28T40-D	R15-KN28T40-D	R16-KN28T40-D	28 V	

**典型曲线 Typical Performance Data:**

