

Model: TLPA1G18G-40-30
Power Amplifier
1-18GHz, Gain: 40dB, P1dB: 27dBm
Feature:

- Ultra Wide Band: 1-18GHz
- Gain: 38dB Min
- Psat Output Power: 30 dBm Typ
- Good Power and Gain Flatness
- 50 Ohm Matched Input / Output

电气特性 Electrical:

参数Parameter	Min.	Typ.	Max.	单位Units
频率范围 Frequency range	1-18			GHz
增益 Gain	38	40		dB
增益平坦度 Gain Flatness		±2.5		dB
噪声系数 Noise Figure		4.0		dB
线性输出功率 P1dB	27			dBm
饱和输出功率 Psat		30		dBm
输入驻波 Input VSWR			2.2	:1
输出驻波 Output VSWR			2.2	:1
直流电压 DC Voltage		12		V DC
直流电流 DC Supply Current	430			mA
阻抗 Impedance	50			Ohms

机械特性 Mechanical :

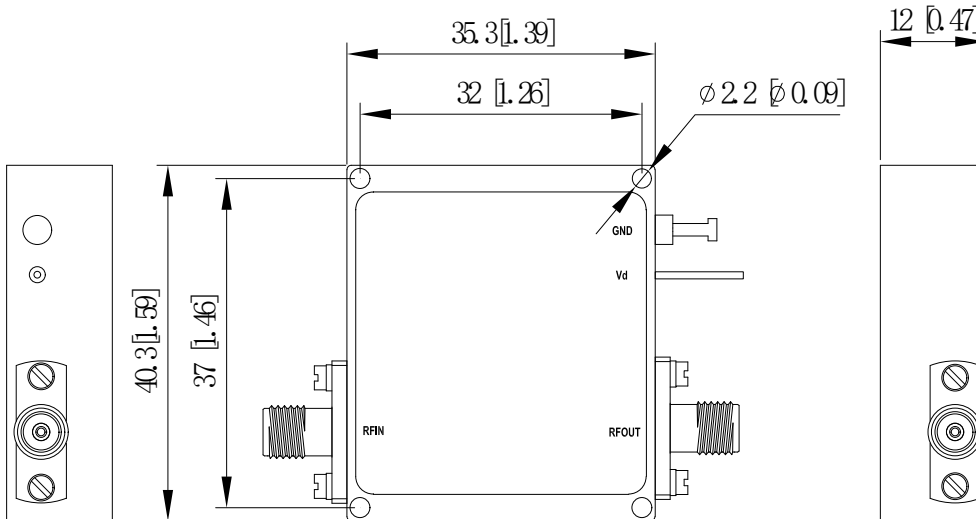
参数Parameter	指标 Value	单位Units
输入输出接口 Input /Output Connector	SMA Female	
直流偏置 Bias	Solder Pin	
尺寸 Size	35*40*12	mm
重量 Weight	1000	g


绝对最大值 Absolute Maximum Ratings:

参数Parameter	指标 Value
供电偏置电压 Supply Bias Voltage	
输入功率 RF INPUT POWER	
ESD灵敏度 ESD sensitivity (HBm)	Class 0, passed 150V

温度环境 Environmental Conditions:

Unit: mm(inches)



*****Heat Sink Required During Operation**



OBSERVE PRECAUTIONS
ELECTROSTATIC SENSITIVE
DEVICES

外形尺寸 Outline Drawing:

参数Parameter	Min.	Typ.	Max.	单位Units
操作温度 Operating Temperature	-45		+85	°C
存储温度 Non-operating Temperature	-55		+125	°C
相对湿度 Relative humidity		95		%
海拔 Altitude	30,000			feet
震动 Shock / Vibration(MIL-STD-810F)	20g,11ms,saw-tooth			
冲击 Shock(non operating)	20G for 11msc half sin wave,3 axis both directions			

订货信息 Ordering Information:

标准型号 Part Number	描述 Description	版本号Revision
TLPA1G18G-40-30	Power amplifier 1-18GHz,Gain:40dB,P1dB:27dBm, 12V DC,Without Heatsink	Rev.1.1
TLPA1G18G-40-30-HS	Power amplifie 1-18GHz,Gain:40dB,P1dB:27dBm, 12V DC,With Heatsink	Rev.1.1