

**Model:TLPA8G26.5G-40-25**
**Power Amplifier**
**8-26.5GHz,Gain:40dB,Psat:25 dBm**
**Feature:**

- Ultra Wide Band: 8-26.5GHz
- Gain: 40dB Min
- Psat Output Power: 25 dBm Min
- Good Power and Gain Flatness
- 50 Ohm Matched Input / Output

**电气特性 Electrical:**

参数Parameter	Min.	Typ.	Max.	单位Units
频率范围 Frequency range	8-26.5			GHz
增益 Gain	40	42		dB
增益平坦度 Gain Flatness		±2.5		dB
噪声系数 Noise Figure		/		
饱和输出功率 Psat	25	27		dBm
输入驻波 Input VSWR		2	2.5	:1
输出驻波 Output VSWR		1.8	2.4	:1
直流电压 DC Voltage	10	12	15	V DC
直流电流 DC Supply Current	700			mA
阻抗 Impedance	50			Ohms

**机械特性 Mechanical :**

参数Parameter	指标 Value	单位Units
输入输出接Input /Output Connector	SMA Female	
直流偏置 Bias	Solder Pin	
尺寸 Size	/	mm
重量 Weight	1000	g

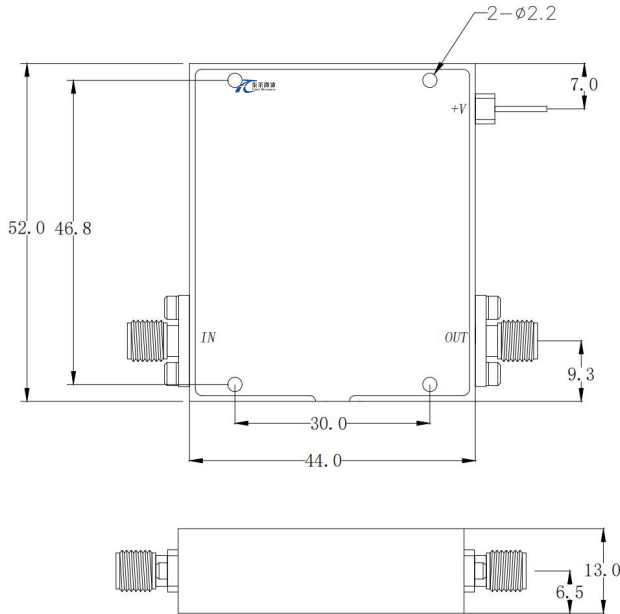

 Available 220V System  
 Benchtop Amplifier

**绝对最大值 Absolute Maximum Ratings:**

参数Parameter	指标 Value
供电偏置电压 Supply Bias Voltage	TBD
输入功率 RF INPUT POWER	TBD
ESD灵敏度 ESD sensitivity (HBm)	Class 0, passed 150V

外形尺寸 Outline Drawing:

Unit: mm(inches)



温度环境 Environmental Conditions:

参数Parameter	Min.	Typ.	Max.	单位Units
操作温度 Operating Temperature	-45		+85	°C
存储温度 Non-operating Temperature	-55		+125	°C
相对湿度 Relative humidity		95		%
海拔 Altitude	30,000			feet
震动 Shock / Vibration(MIL-STD-810F)	20g,11ms,saw-tooth			
冲击 Shock(non operating)	20G for 11msc half sin wave,3 axis both directions			

订货信息 Ordering Information:

标准型号 Part Number	描述 Description	版本号Revision
TLPA8G26.5G-40-25	<b>Power Amplifier , 8-26.5GHz,Gain:40dB,Psat:25 dBm, SMA Female</b>	Rev.1.1