

Model: TLPA24G47G-25-2.4
Power amplifier, 24-47GHz
Feature:

- Ultra Wide Band: 24-47GHz
- Gain: 30dB
- Psat Output Power: 25 dBm
- Good Power and Gain Flatness
- 50 Ohm Matched Input / Output

电气特性 ELECTRICAL:

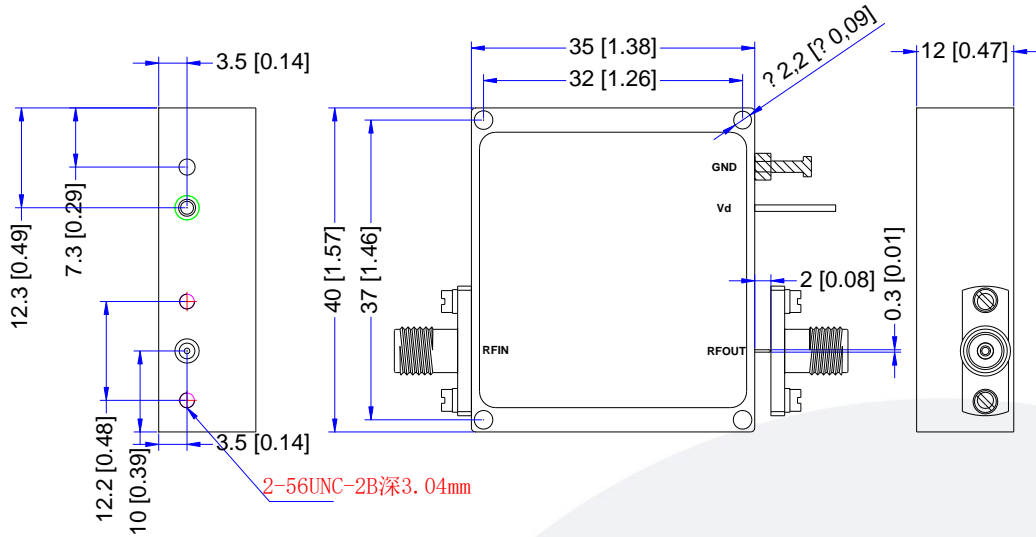
参数Parameter	Min.	Typ.	Max.	Units
频率范围 Frequency range	24-47			GHz
增益 Gain	25	30		dB
增益平坦度 Gain Flatness		±2.0		dB
线性输出功率P1dB	25	26		dBm
饱和输出功率 Psat		26		dBm
输入驻波 Input VSWR		2.0	2.5	-
最大输入功率Input Max Power			5	dBm
直流电压 DC Voltage		12		V DC
直流电流 DC Supply Current		0.6	1	A
阻抗 Impedance	50			Ohms

机械特性 Mechanical :

参数Parameter	Specification	Units
输入输出接口 Input /Output Connector	2.4	
直流偏置 Bias	Solder Pin	
尺寸 Size	40*35*12	mm
重量 Weight	200	g

外形尺寸 Outline Drawing:

All Dimensions in mm (inches) Tolerance ± 0.25 (0.01)



*****Heat Sink required during operation*****

温度环境 Environmental Conditions:

参数Parameter	Min.	Typ.	Max.	Units
操作温度 Operating Temperature	-45		+85	°C
存储温度 Non-operating Temperature	-55		+125	°C
相对湿度 Relative humidity	100%RH at 35°C, 95%RH at 40°C			
海拔 Altitude	50,000			feet
震动 Shock / Vibration(MIL-STD-810G)	20G for 11msc half sin wave,3 axis both directions/25g rms(15 degree 2KHz) endurance,1 hour per axis			