

**Model:TLPA26.5G40G-51-52**
**Power Amplifier**  
**26.5-40GHz,Gain:51dB,Psat:52dBm**
**Feature:**

- Ultra Wide Band: 26.5-40GHz
- Gain: 51dB Min
- Psat Output Power: 52 dBm Typ
- Good Power and Gain Flatness
- 50 Ohm Matched Input / Output

**电气特性 Electrical:**

参数Parameter	Min.	Typ.	Max.	单位Units
频率范围 Frequency range	26.5-40			GHz
功率增益 Power Gain	50			dB
增益平坦度 Gain Flatness		±4.5		dB
线性输出功率P1dB	50			dBm
饱和输出功率 Psat		52		dBm
输入功率@Pout=51dBm	-3	0	10	dBm
杂散抑制@Pout=51dBm	50			dBc
谐波抑制@Pout=51dBm	20			dBc
输入驻波 Input VSWR		2.0	2.5	:1
直流电压 DC Voltage		+24		V DC
直流电流 DC Supply Current			70	A
阻抗 Impedance	50			Ohms

**机械特性 Mechanical :**

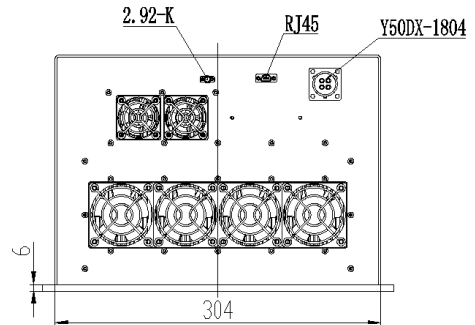
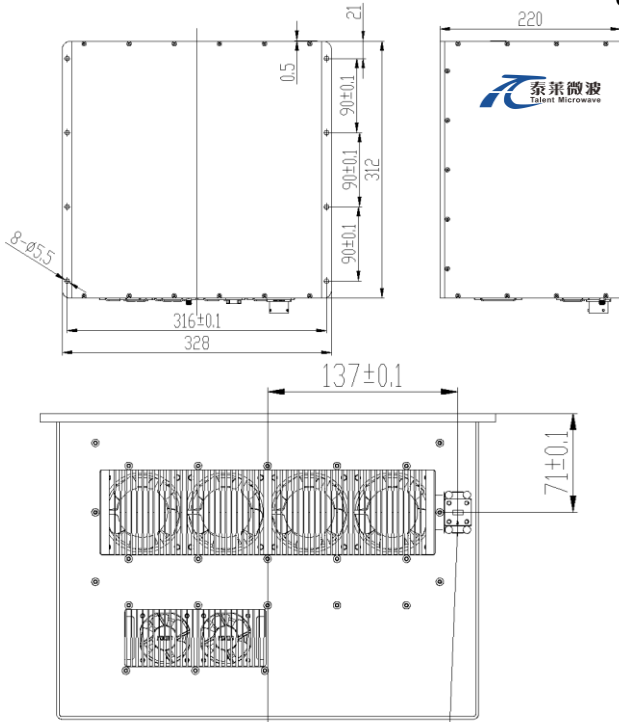
参数Parameter	指标 Value	单位Units
输入输出接口 Input /Output Connector	2.92mm-K/WR28	
直流偏置 Bias	Solder Pin	
尺寸 Size	/	mm
重量 Weight	≤25	Kg

**绝对最大值 Absolute Maximum Ratings:**

参数Parameter	指标 Value
供电偏置电压 Supply Bias Voltage	A1-2:+24V A3-4:GND
输入功率 RF INPUT POWER	10 dBm
ESD灵敏度 ESD sensitivity (HBm)	Class 0, passed 150V

**外形尺寸 Outline Drawing:**

Unit: mm



输出法兰具体尺寸参见FRP320法兰盘图纸



OBSERVE PRECAUTIONS  
ELECTROSTATIC SENSITIVE  
DEVICES

**温度环境 Environmental Conditions:**

参数Parameter	Min.	Typ.	Max.	单位Units
操作温度 Operating Temperature	-40		+75	°C
存储温度 Non-operating Temperature	-55		+125	°C
相对湿度 Relative humidity		95		%
海拔 Altitude	50,000			feet
震动 Shock / Vibration(MIL-STD-810F)	25g rms (15 degree 2KHz) endurance, 1 hour per axis			
冲击 Shock(non operating)	20G for 11msc half sin wave,3 axis both directions			