

**Part No.: TDC-003300-40S-150-SMD**

**40dB Directional Coupler 0.3-3GHz**

**电气特性 Electrical:**

工作频率 Frequency Range: 300-3000MHz

耦合度 Coupling :  $40 \pm 1.2$  dB

插入损耗 Insertion Loss: 0.26 dB Max

驻波 VSWR: 1.20:1 Max

方向性 Directivity: 23.0 dB Min

耐功率 Power Handling: 150 Watt

阻抗 Impedance: 50 OHMS

**机械特性 Mechanical:**

温度范围 Temperature Range:  $-55^{\circ} \text{C} - +105^{\circ} \text{C}$

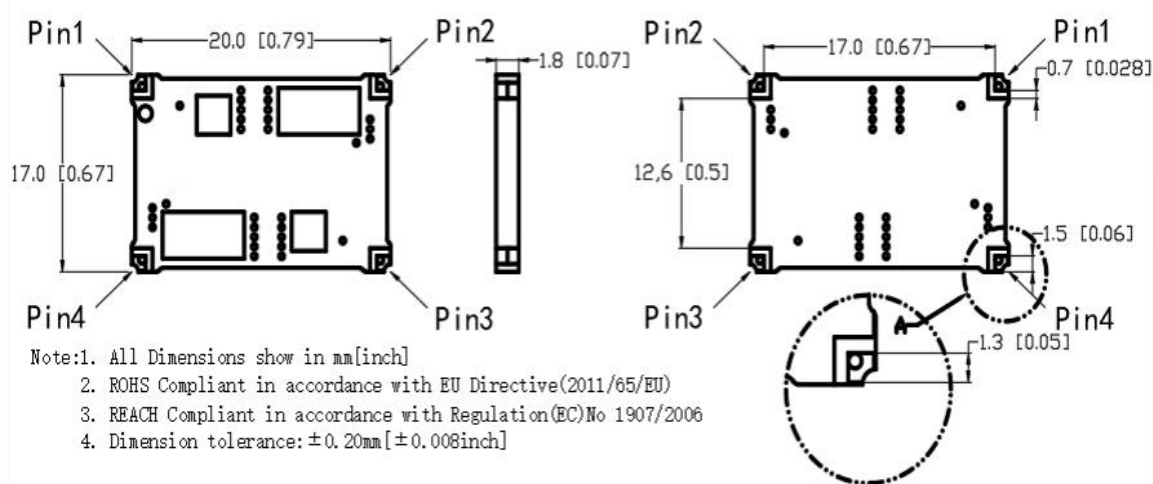
大小 Size: 20mm\*17mm

厚度 Thickness: 1.8mm

相对湿度 Relative Humidity: 0 ~ 90%

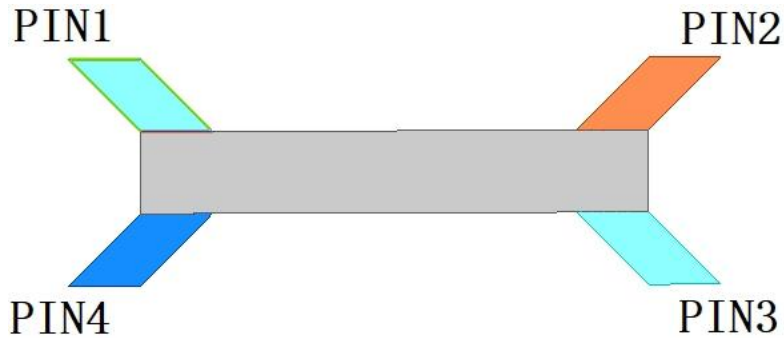
**外形尺寸 Outline Drawing:**

Unit: mm



**端口配置表 Port Configuration Table:**

Hybrid Coupler Pin Configuration



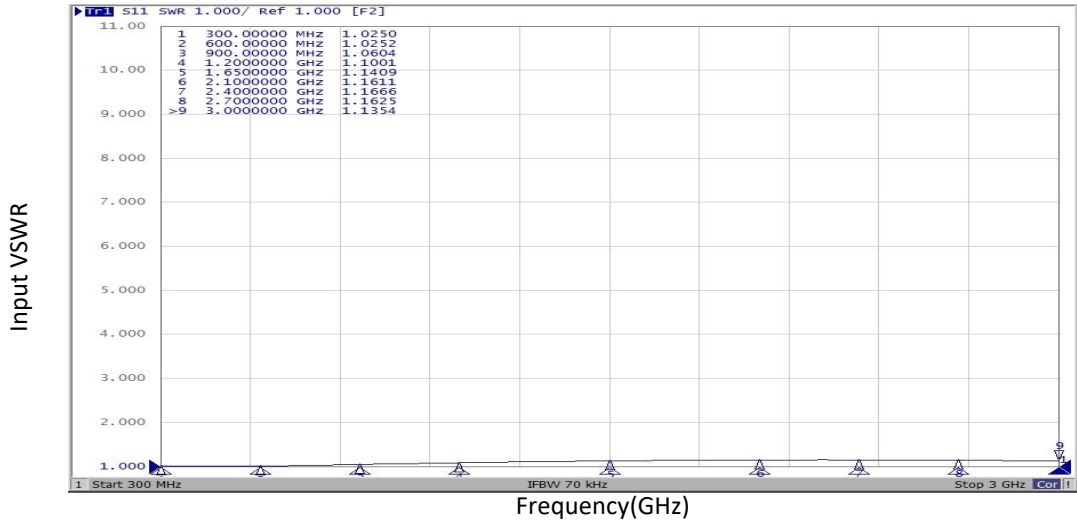
PIN1	PIN2	PIN3	PIN4
Input	Reflected Coupled	Transmission	Forward Coupled
Transmission	Forward Coupled	Input	Reflected Coupled

Typical Performance Data

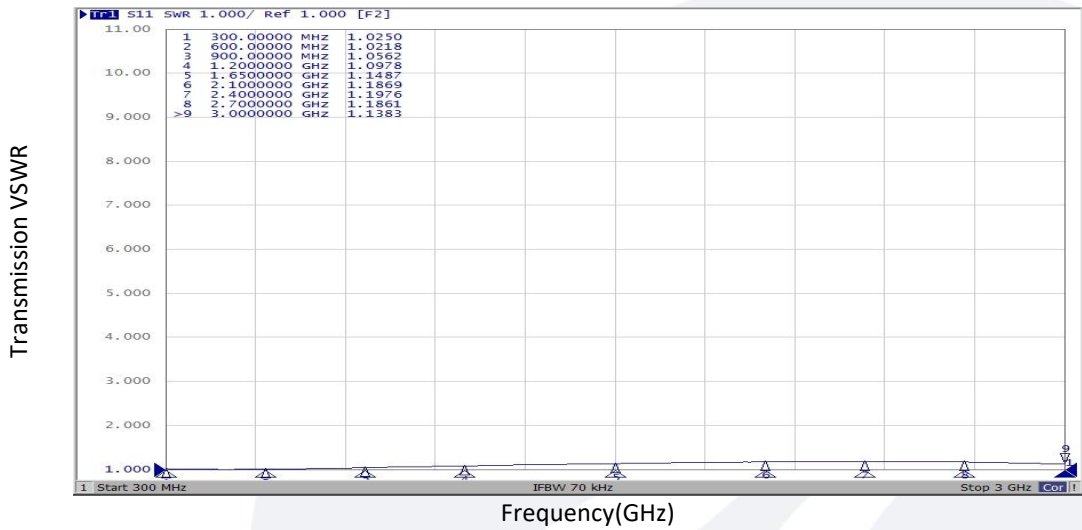
Frequency	MHz	300	600	900	1200	1650	2100	2400	2700	3000	
Coupling	dB	-41.09	-38.95	-39.35	-40.09	-40.40	-40.43	-39.78	-39.81	-39.49	
Insertion Loss	dB	-0.02	-0.03	-0.05	-0.09	-0.10	-0.28	-0.21	-0.24	-0.26	
Directivity	dB	-30.29	-29.44	-28.74	-28.03	-27.00	-24.70	-23.18	-23.02	-24.98	
VSWR	Input	/	1.03	1.03	1.06	1.10	1.14	1.16	1.17	1.16	1.14
	Transmission	/	1.03	1.02	1.06	1.10	1.15	1.19	1.20	1.19	1.14

典型曲线 Typical Performance Data:

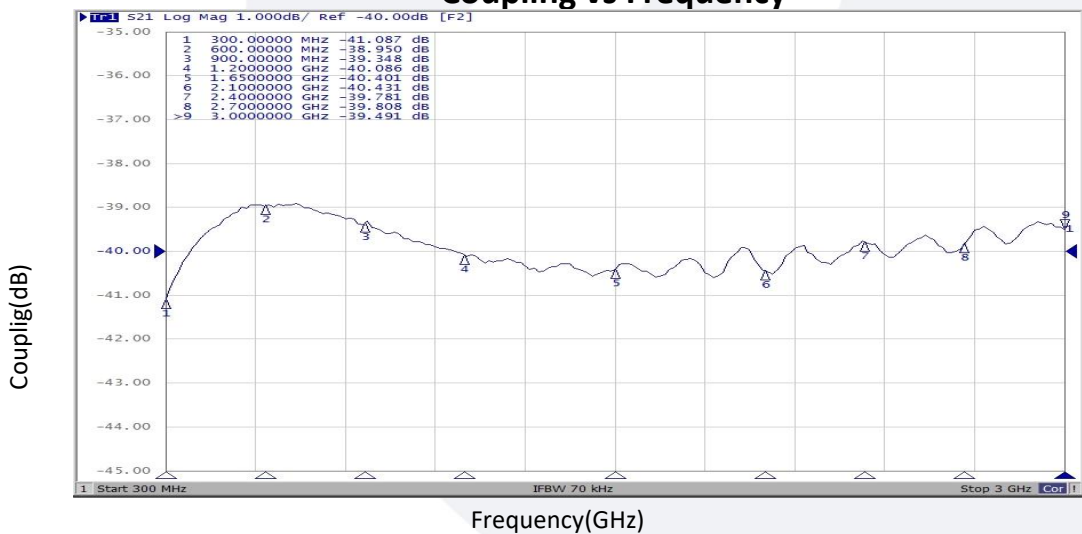
Input VSWR vs Frequency



Transmission VSWR vs Frequency

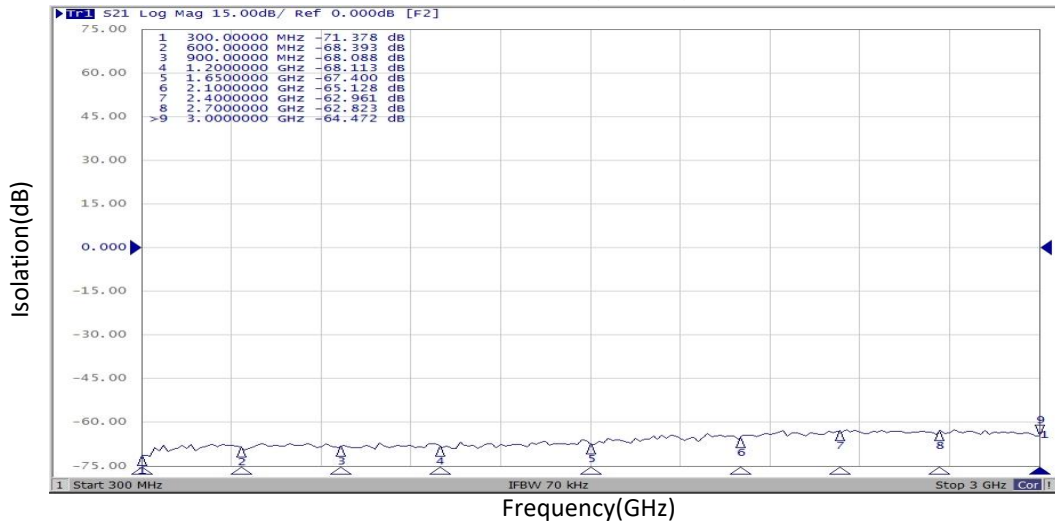


Coupling vs Frequency



典型曲线 Typical Performance Data:

Isolation vs Frequency



Insertion Loss vs Frequency

