

Semi-Rigid Alternative Flexible Cable



INTRODUCTION

T series has similar performance of semi-rigid cable. This series is using the worldwide leading SPC spiral wrap as an outer conductor. This series uses solid and durable PTFE with SPC tape braid as dielectric, which makes this series has good electrical performance. Standard semi-rigid or semi-flexible connectors can be easily selected due to the standard cable structure and size.

Typical Application

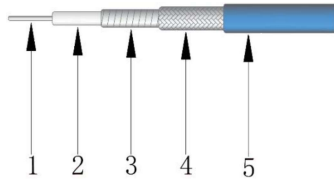
- Maximum operating frequency up to 67GHz
- Excellent shielding
- Excellent corrosion resistance
- Good mechanical stability
- Cost-effective

Features

- Test setup
- Phased array radars interconnection
- Cabinet jumper
- Equipment automation
- High-power operating environment

Replacement Table

Talent Model	Replacement Model	Replacement Brand
T1	TFLEX-405	TIMES
	MULTIFLEX86	H+S
	MULTIBEND86	HABIA
	SS405	HARBOUR
T2	TFLEX402	TIMES
	MULTIFLEX141	H+S
	MULTIBEND141	HABIA
	SS402	HARBOUR

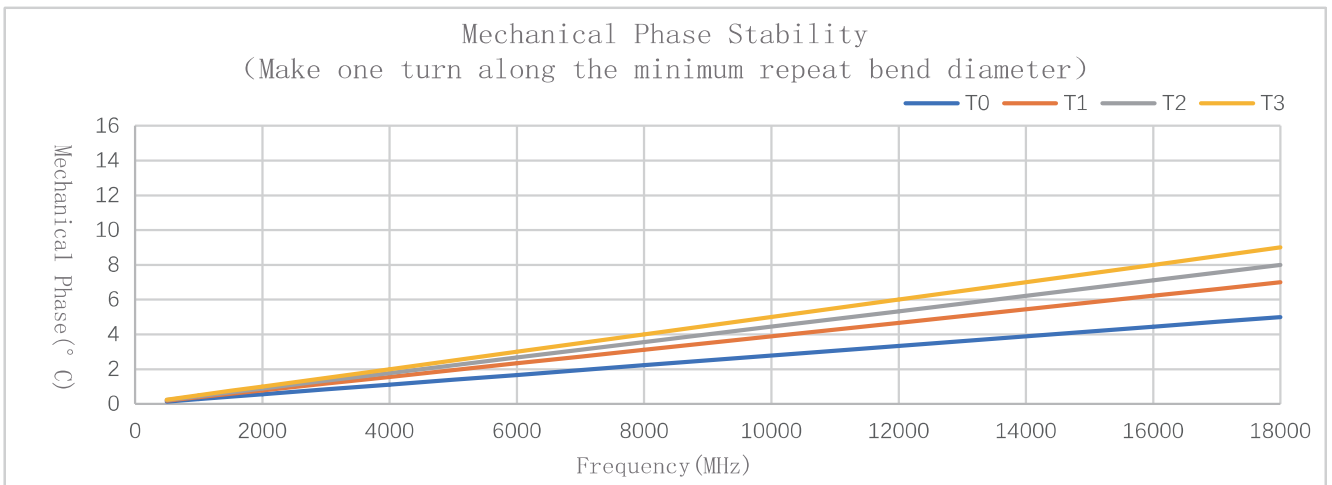
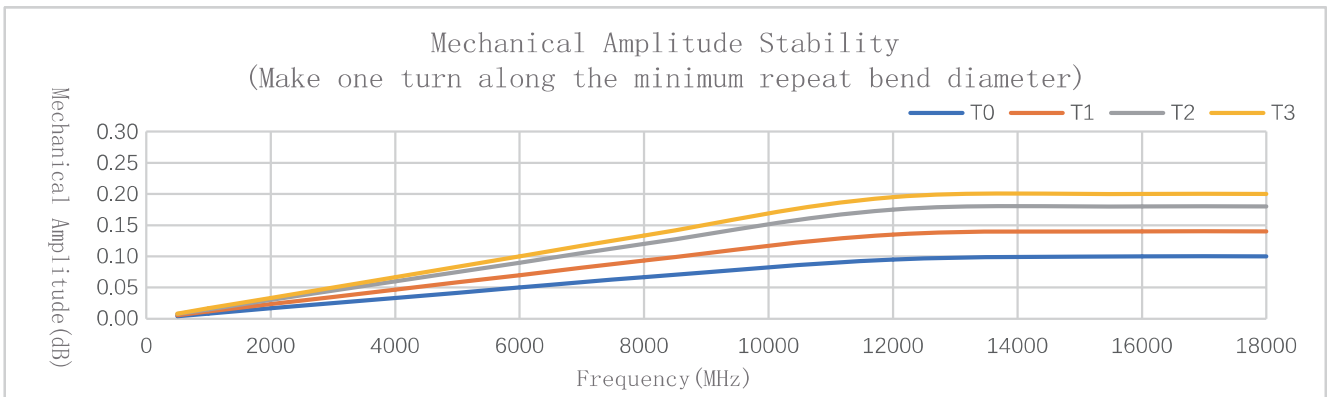
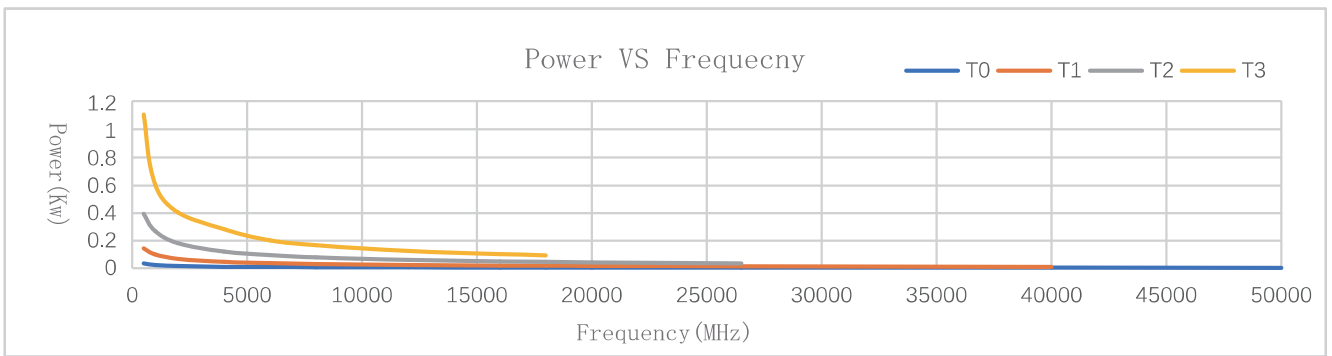
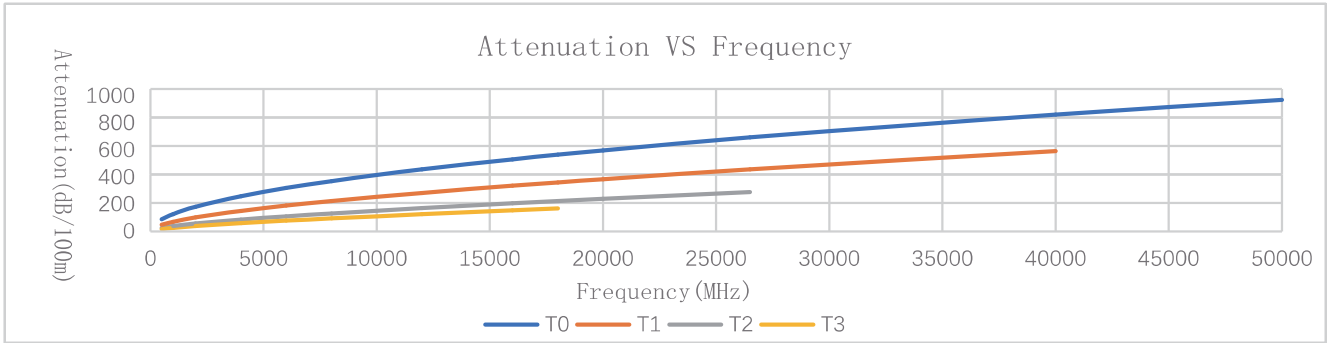


- 1—Center Conductor——SPC
- 2—Dielectric——Solid state PTFE
- 3—Outer Conductor——SPC
- 4—Outer Shield——SPC
- 5—FEP Jacket——FEP

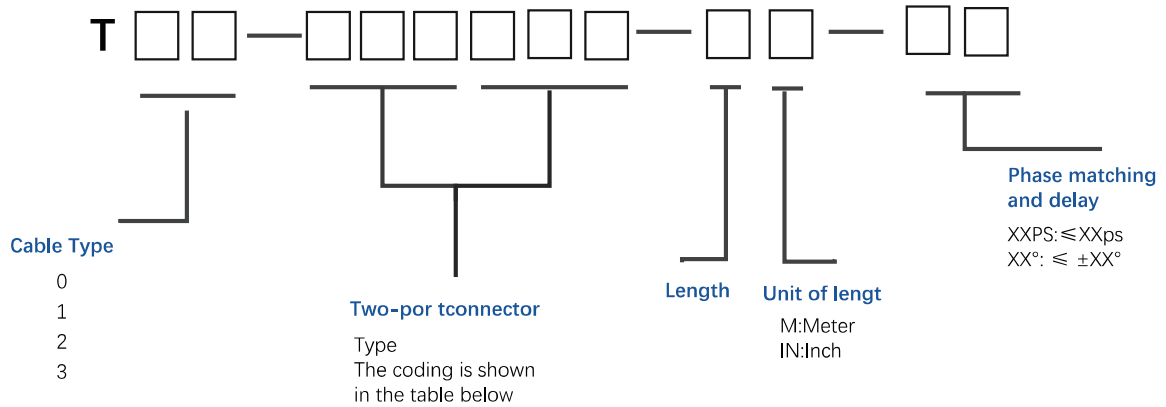
Cable Specification

Mode	T0		T1		T2		T3	
Mechanical Specifications								
Center Conductor	0.3		0.51		0.91		1.65	
Dielectric	0.94		1.60		3.00		5.25	
Inner Shield	1.06		1.79		3.20		5.57	
Outer Shield	1.3		2.16		3.60		6.08	
Jacket	1.6		2.80		4.00		6.50	
Electrical Specifications								
Impedance(Ω)	50		50		50		50	
Velocity of Propagation(%)	70		70		70		70	
Shielding Effectiveness (dB)	< -90		< -90		< -90		< -90	
Time Delay (ns/m)	4.76		4.76		4.76		4.76	
Capacitance (pF/m)	98.3		99.2		95.1		98.0	
Cut-off Frequency(GHz)	110		63		34		19	
Voltage Withstand(V,DC)	450		800		1500		2600	
Static Bending Radius (mm)	7		14		20		33	
Dynamic Bending Radius (mm)	14		28		40		65	
Operating Temperature (°C)	-55~125		-55~125		-55~125		-55~125	
Attenuation(+25°C Ambient)&Power Handling(+40°C Ambient;SeaLevel;VSWR 1:1)								
Frequency (MHz)	dB/100		KW		dB/100m		KW	
500	87.41		0.036		48.19		0.144	
1000	124.00		0.025		69.30		0.100	
2000	176.15		0.018		100.31		0.069	
4000	250.67		0.012		146.47		0.047	
6000	308.48		0.010		183.73		0.038	
8000	357.63		0.009		216.06		0.032	
12000	440.95		0.007		273.66		0.025	
16000	512.02		0.006		324.44		0.021	
18000	544.46		0.006		348.17		0.020	
20000	575.28		0.005		371.05		0.019	
26500	666.83		0.005		440.80		0.016	
40000	829.20		0.004		570.87		0.012	
50000	934.11		0.003					
K1	3.8791178		2.0669291		1.0824		0.688976	
K2	0.0013343		0.003937		0.003937		0.003937	

Test Data



Assembly Selection Information



Optional Connectors

Connector Code	Connector Type	Operating Frequency	T0	T1	T2	T3	VSWR (Max)
2.4M	2.4mm Male	DC-40GHz	●				1.35
2.92M	2.92mm Male	DC-40GHz	●	●			1.30
2.92F	2.92mm Female	DC-40GHz	●	●			1.30
SSMAM	SSMA Male	DC-40GHz		●			1.30
3.5	3.5mm Male	DC-27GHz			●		1.30
SMAM	SMA Male	DC-27GHz		●	●	●	1.25
SMAWM	SMA Male Right Angle	DC-18GHz		●	●		1.25
SMAF	SMA Female	DC-27GHz		●		●	1.25
NM	N Male	DC-18GHz		●	●	●	1.25
NF	N Female	DC-18GHz		●	●	●	1.25
TNCM	TNC Male	DC-12GHz		●			1.25
SMPF	SMP Female	DC-40GHz		●			1.25
SSMPF	SSMP Female	DC-40GHz		●			1.25