

**Part No.: TC-20500-20-2.4**

**20dB Directional Coupler 2.4 Female 50a 2-50 GHz**

**电气特性 Electrical:**

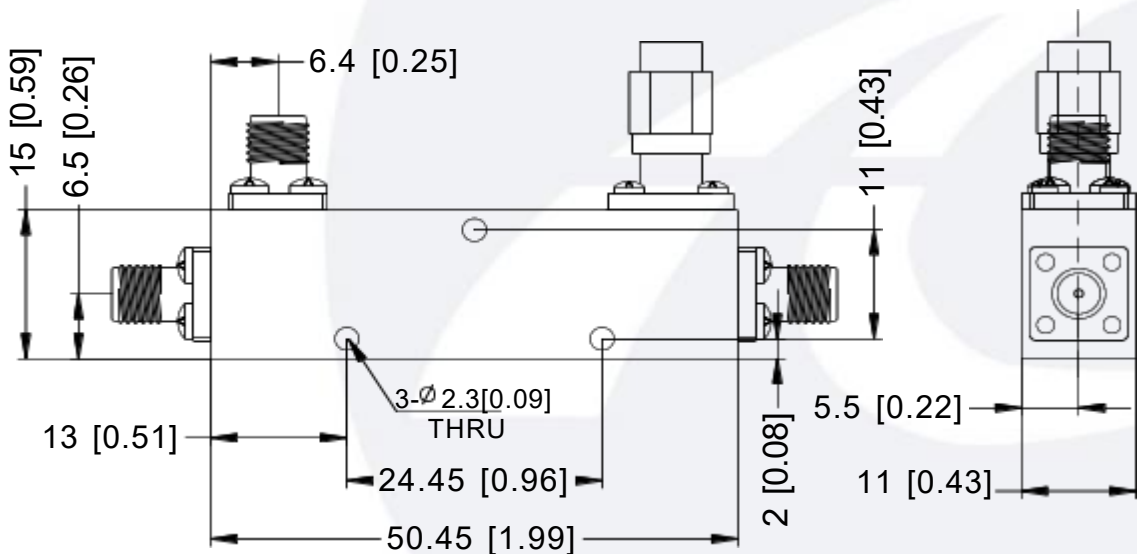
工作频率 Frequency Range: 2-50 GHz  
 耦合度 Coupling:: 20± 1.8 db  
 插入损耗 Insertion Loss: 2.2db typ, 2.8db max  
 方向性 Directivity: : 12db typ, 10db min  
 驻波 VSWR: 1.9 max  
 耐功率 Power Handling: 50 Watt  
 阻抗 Impedance: 50 OHMS

**机械特性 Mechanical:**

温度范围 Temperature Range: -45 ° C - +85 ° C  
 接口 Connectors: 2.4-Female  
 相对湿度 Relative Humidity: 0 ~ 90%

**外形尺寸 Outline Drawing:**

Unit: mm



典型曲线 Typical Performance Data:

