

Equalizer

DC-3GHz /0.5dB, Insertion Loss

Model: TLME-DC3G-2.5

The TLME-DC3G-2.5 is a equalizer. It is a positive gain slope equalizer designed to pass DC to 3GHz. Equalization can be applied to reduce low pass filtering effects in both RF/microwave and high speed digital systems.

Features:

- Frequency range: DC-3GHz
- Good gain equalization
- Small Size and simple to use
- Excellent return loss

Applications:

- N/A

电气特性 Electrical Characteristics:

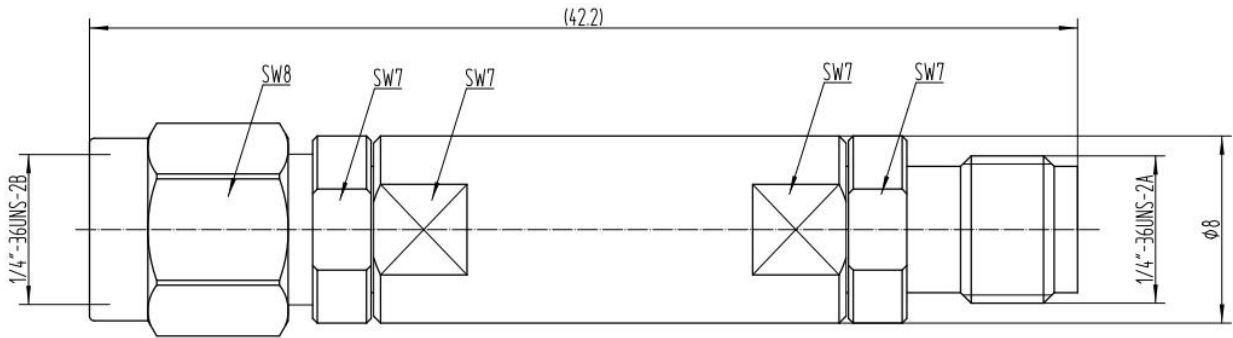
| 参数 Parameter | Min | Typ | Max | 单位 Units |
|------------------------|-----|------|-----|----------|
| 频率范围 Frequency range | | DC-3 | | GHz |
| 插损 Insertion Loss@3GHz | | 0.5 | | dB |
| 均衡量 Slope | | 2.5 | | dB |
| 回波损耗 Return Loss | | -17 | | dB |
| 耐受功率 Power Handling | | 30 | | dBm |
| 阻抗 Impedance | | 50 | | Ohms |

机械特性 Mechanical Specifications:

| 参数 Parameter | 指标 Value | 单位 Units |
|---------------------------------|---------------------------|----------|
| 输入/输出接口 Input /Output Connector | 2.92mm Male/2.92mm Female | |
| 长度 Length | 42.2 | mm |

外形图 Outline Drawing:

Unit:mm


温度环境 Environmental Conditions:

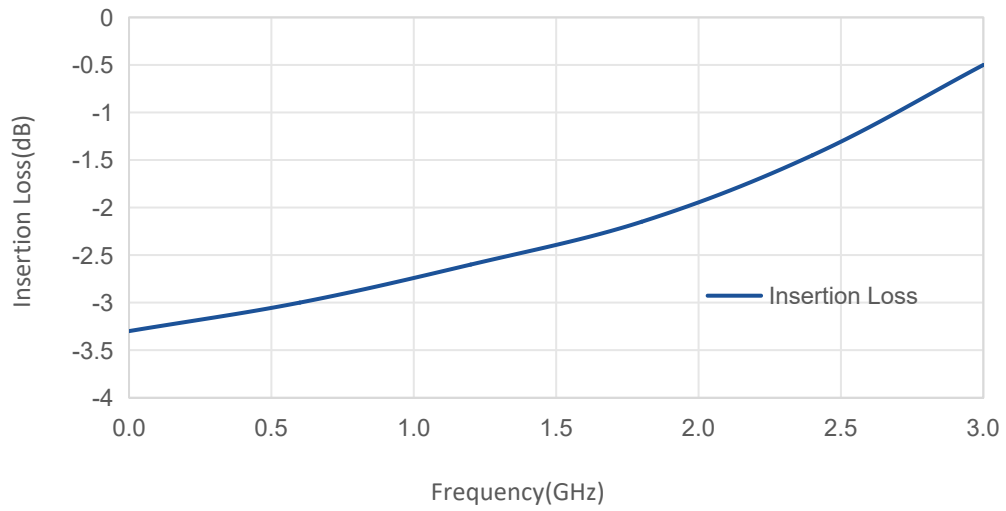
| 参数 Parameter | Min | Typ | Max | 单位 Units |
|------------------------------------|---|-----|------|----------|
| 操作温度 Operating Temperature | -55 | | +125 | °C |
| 存储温度 Non-operating Temperature | -65 | | +150 | °C |
| 相对湿度 Relative humidity | | 95 | | % |
| 海拔 Altitude | 10,000 | | | feet |
| 震动 Shock / Vibration(MIL-STD-810F) | 25g rms (15 degree 2KHz) endurance, 1 hour per axis | | | |
| 冲击 Shock(non operating) | 20G for 11msc half sin wave,3 axis both directions | | | |

订货信息 Ordering Information:

| 标准型号 Base Number | 描述 Description | 版本号 Revision |
|------------------|--|--------------|
| TLME-DC3G-2.5 | Equalizer, DC-3GHz, Insertion loss:0.5dB@3GHz | Rev.1.1 |

典型曲线 Typical Performance Data:

Insertion Loss vs Frequency



Note: Above data is for ref only, actual data may vary from unit to unit depending on operating environment and other factors like material lots etc.