

Power Amplifier

6-18GHz/24dB Gain/30dBm Psat

Model: TLPA6G18G-24-30

TLPA6G18G-24-30 is a power amplifier with a typical small signal gain of 24 dB and a nominal Psat of 33 dBm across the frequency range of 6 to 18 GHz. The DC power requirement for the amplifier is +8 VDC/0.6 A. The input and output port configuration offers coax adapter structure with SMA female.

Features:

- Frequency range: 6-18GHz
- Gain: 24dB Typ
- Output Power Psat: 30dBm Min
- Good Power and Gain Flatness
- 50 Ohm Matched Input / Output

Applications:

- Cellular
- PCN
- GSM
- ISM
- Lab Test

Electrical Characteristics:

Parameter	Min	Typ	Max	Units
Frequency range	6		18	GHz
Small Signal Gain		24		dB
Gain Flatness		±2.5		dB
Output Psat	30	33		dBm
Input VSWR		1.8	2.2	:1
Output VSWR		1.8	2.2	:1
DC Voltage		8		V DC
DC Supply Current		0.6		A
Impedance	50			Ohms

Mechanical Specifications:

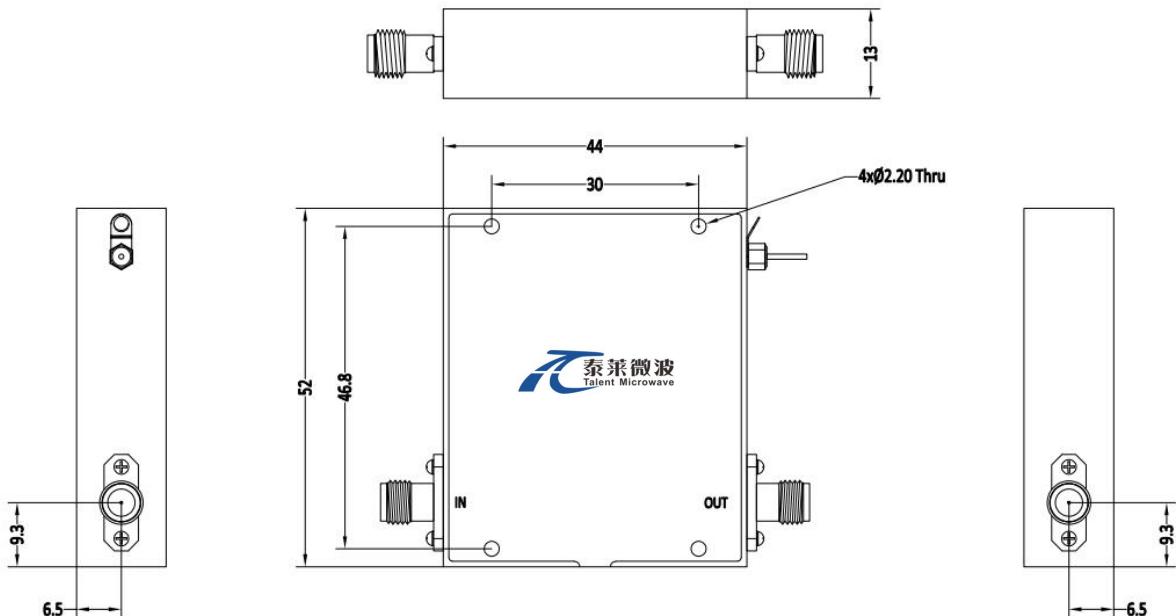
Parameter	Value	Units
Input /Output Connector	SMA Female/SMA Female	
DC Bias	Solder Pin	
Size	44*52*13	mm
Weight	1000	g

Absolute Maximum Ratings:

Parameter	Value
Supply Bias Voltage	TBD
RF Input Power	+10 dBm
ESD sensitivity (HBm)	Class 0, passed 150V

Outline Drawing:

Unit:mm



*****Heat Sink Required During Operation**



ESD Protection: Strictly adhere to ESD precautions to prevent electrostatic damage.

Environmental Conditions:

Parameter	Min	Typ	Max	Units
Operating Temperature*	-40		+60	°C
Non-operating Temperature*	-50		+70	°C
Relative humidity		95		%
Altitude	10,000			feet
Shock / Vibration(MIL-STD-810F)	25g rms (15 degree 2KHz) endurance, 1 hour per axis			
Shock(non operating)	20G for 11msc half sin wave,3 axis both directions			

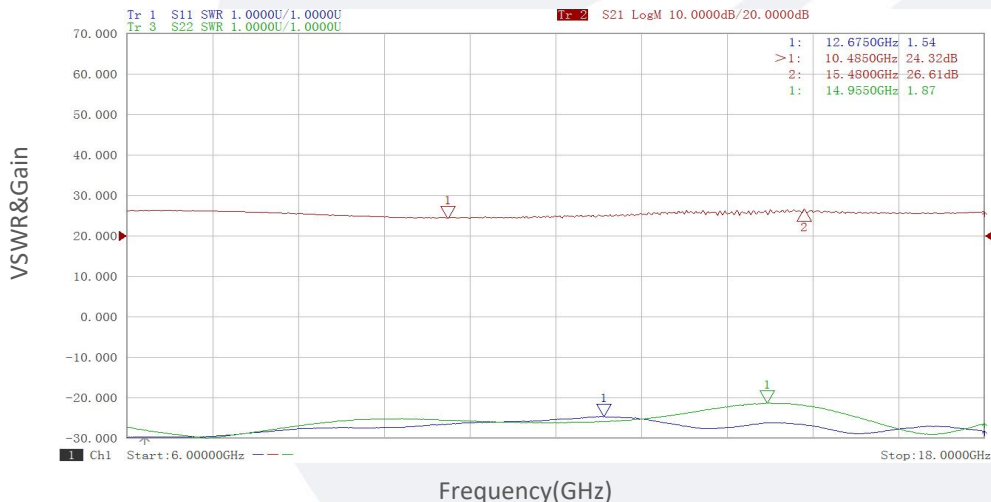
*Note: For a wider temperature range, please consult the manufacturer.

Ordering Information:

Base Number	Description	Revision
TLPA6G18G-24-30	Power amplifier 6-18GHz, Gain:24dB,Psat:30dBm,+8V DC,Without Heatsink	Rev.1.1
TLPA6G18G-24-30-HS	Power amplifier 6-18GHz, Gain:24dB,Psat:30dBm,+8V DC,With Heatsink	Rev.1.1

Typical Performance Data:

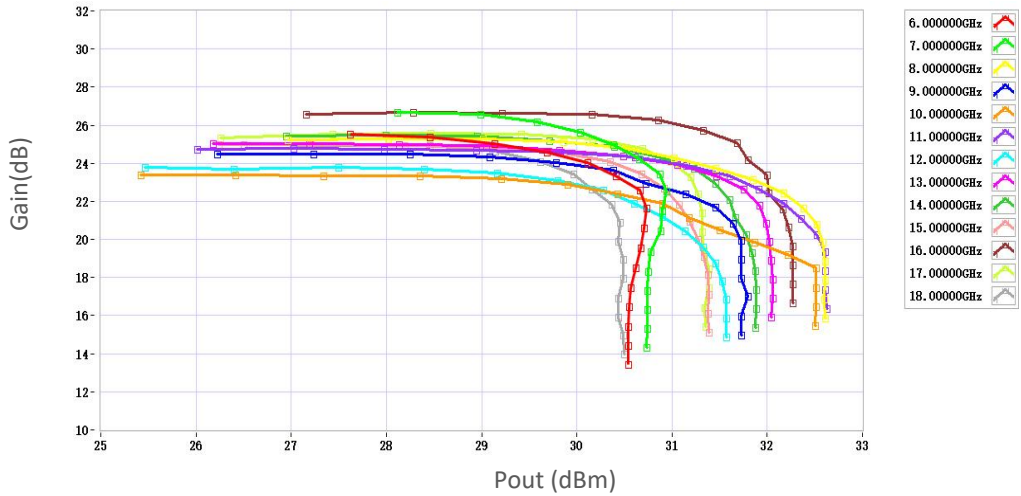
VSWR&Gain vs Frequency



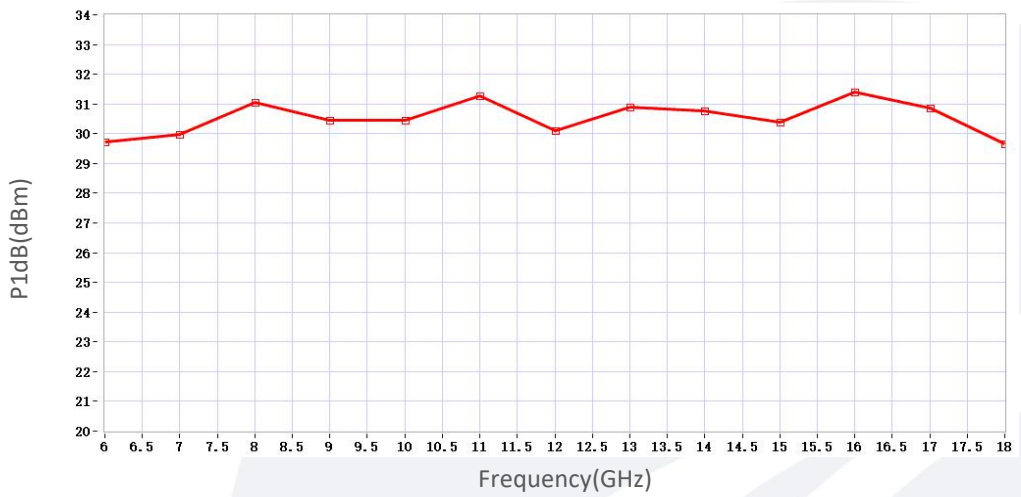
Note: Above data is for ref only, actual data may vary from unit to unit depending on operating environment and other factors like material lots etc.

Typical Performance Data:

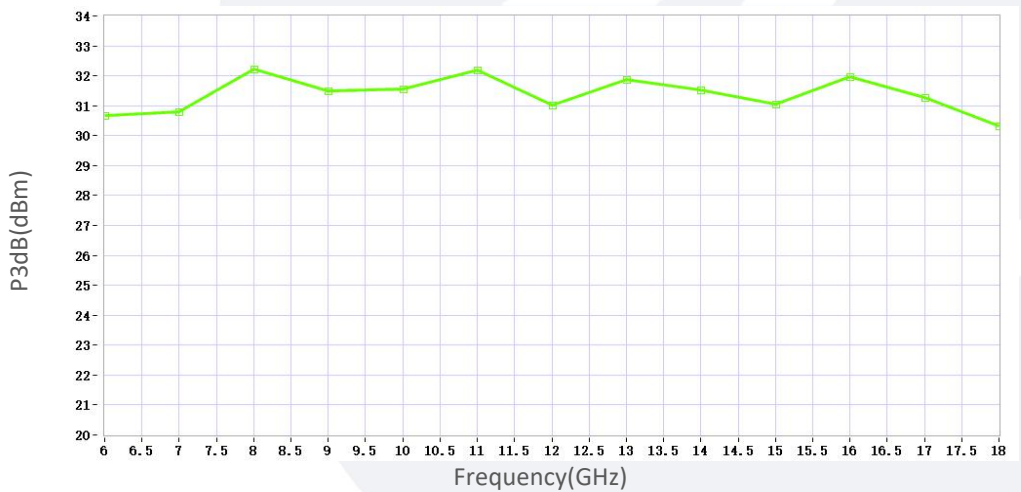
Gain vs Output Power



P1dB vs Frequency

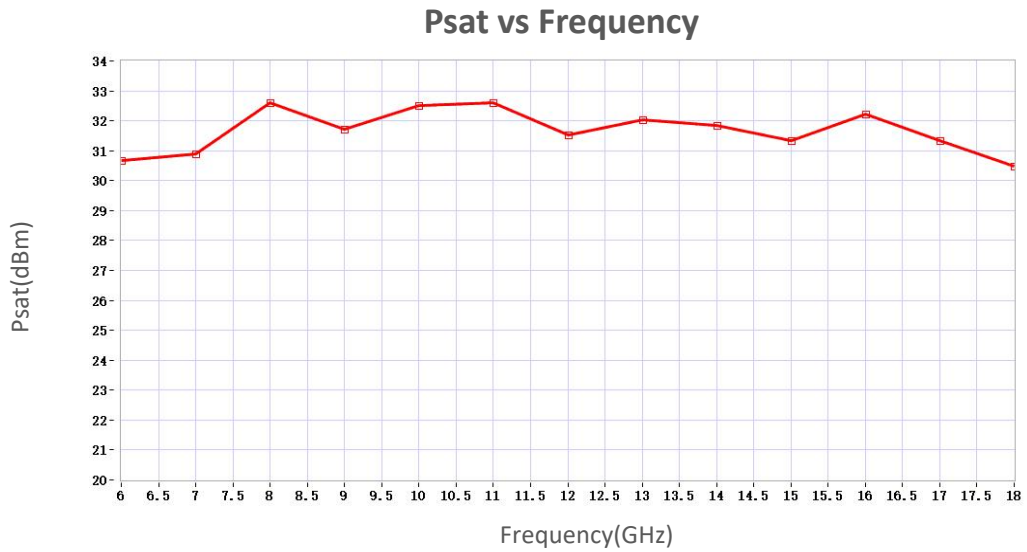


P3dB vs Frequency



Note: Above data is for ref only, actual data may vary from unit to unit depending on operating environment and other factors like material lots etc.

Typical Performance Data:



Note: Above data is for ref only, actual data may vary from unit to unit depending on operating environment and other factors like material lots etc.