

Cryogenic Coaxial Termination DC-18GHz/SMA Male/2W

Model:TT2-18-SM-Cryo

The TT2-18-SM-Cryo is a well-matched, 50Ω male termination enabling operation from DC to 18 GHz. This termination features a 2W power rating and -20dB maximum return loss.

Features:

- Frequency range: DC to 18 GHz
- Max Power: 2W
- Capable of operation at 10 mK
- Non-Magnetic
- 50 Ohm Matched Input

Applications:

- laboratory test
- Communication equipment

Electrical Characteristics:

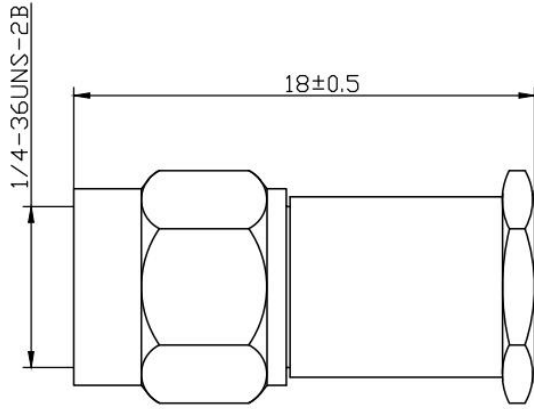
Parameter	Min	Typ	Max	Units
Frequency Range	DC		4	GHz
Return Loss			-20	dB
Power Handling		2		W
Impedance		50		Ohms

Environmental And Physical Characteristics:

Description	Parameter	Units
RF Connector	SMA Male	
Case Material	OFHC Copper	
Finish	Gold Plated	
Resistor Material	Proprietary Thin Film	

Outline Drawing:

Unit:mm



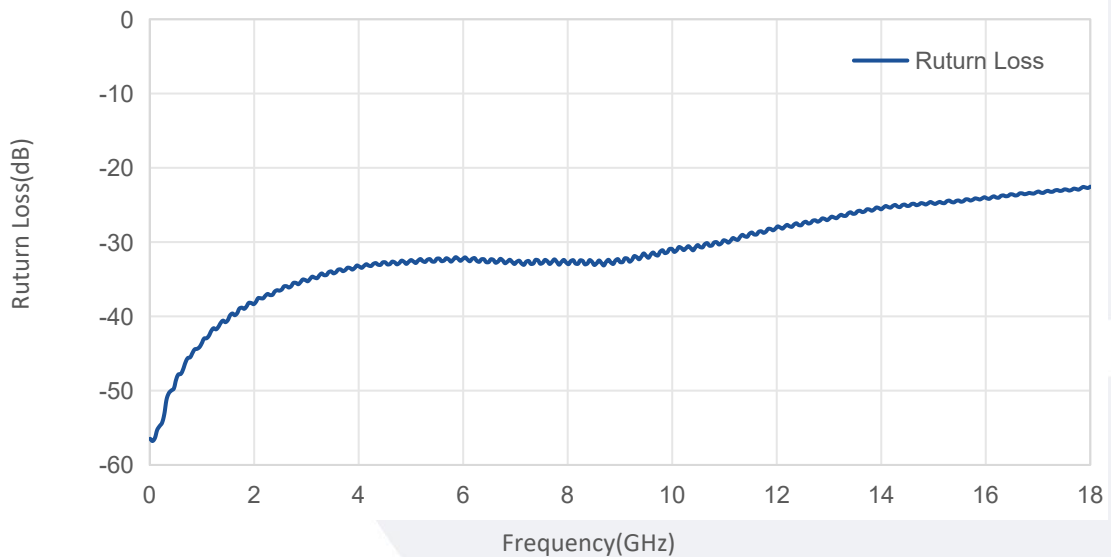
Ordering Information:

Base Number	Description
TT2-18-SM-Cryo	DC-18GHz,2W,SMA Male Cryogenic Coaxial Termination

Typical Performance Data:

298K:

Return Loss vs Frequency

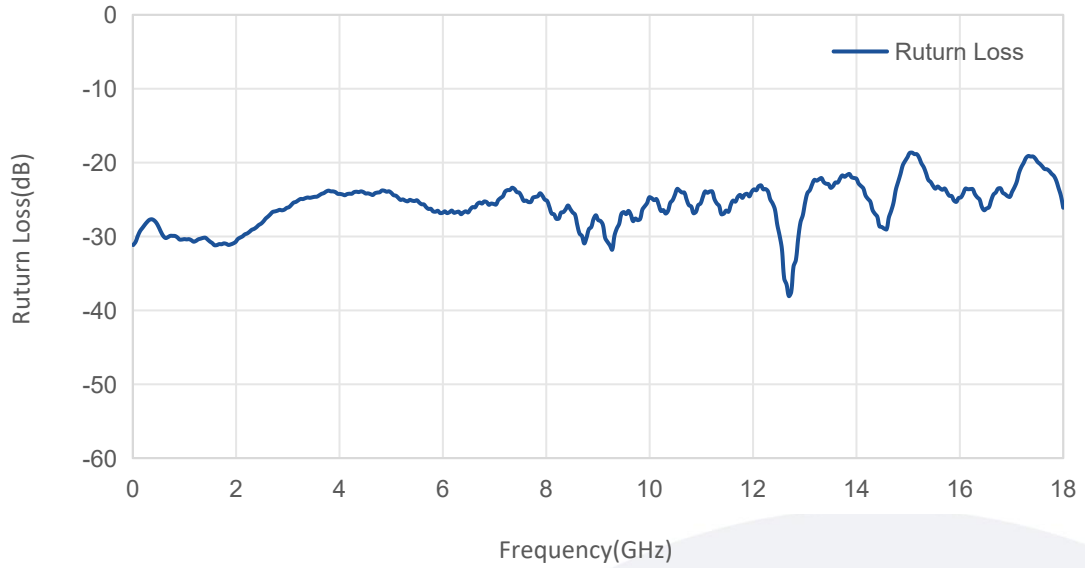


Note: Above data is for ref only, actual data may vary from unit to unit depending on operating environment and other factors like material lots etc.

Typical Performance Data:

77K:

Return Loss vs Frequency



Note: Above data is for ref only, actual data may vary from unit to unit depending on operating environment and other factors like material lots etc.