

Flexible Waveguide Cable

WR12/1.0mm Male/60-90GHz

Model: FW-1.0MWR12-0.2m

FW-1.0MWR12-0.2m is a flexible waveguide cable that covers the frequency range of 60 to 90 GHz. The flexible waveguide cable includes a WR-12 waveguide ports with UG-387/U-M anti-cocking flange and a coax adapter structure with 1.0mm male.

Features:

- Operating Frequency 60 to 90GHz
- VSWR: 1.6:1 Typ
- Insertion loss: 3dB Typ
- Low cost
- Fast delivery time

Applications:

- Test Lab
- Instrumentations
- System setups

Electrical Characteristics:

Parameter	Min	Typ	Max	Units
Frequency Range	60		90	GHz
VSWR		1.6		:1
Insertion Loss		3		dB
Power Handling		4 CW		W

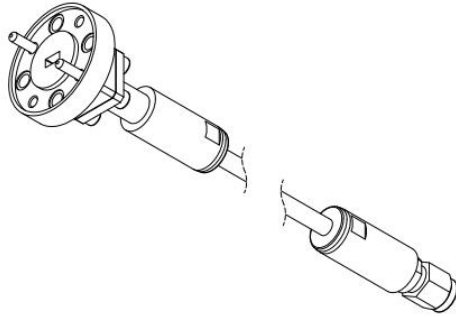
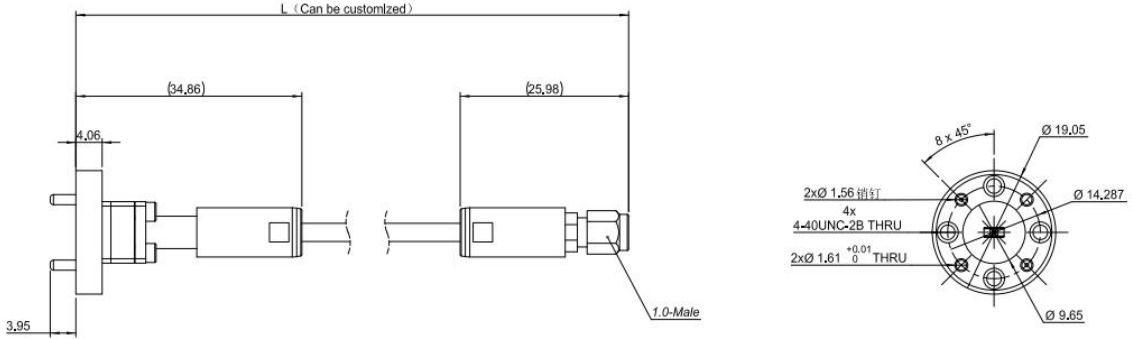
Envrionmental And Physical Characteristics:

Description	Parameter	Units
Operating Temperature	+25	°C
Non-operating Temperature	-55~+165	°C
Minimum Bending Radius	25	mm
Waveguide Connector	WR-12/UG-387/U	
Coax Connector	1.0mm Male	
Length*	0.2	m

*Note:Length can be customized.

Outline Drawing:

Unit:mm



ESD Protection: Strictly adhere to ESD precautions to prevent electrostatic damage.

Ordering Information:

Base Number	Description
FW-1.0MWR12-0.2m	Flexible Waveguide Cable,60-90GHz, 1.0mm Male, WR12, Length can be customized