

Standard Gain Horn Antenna

WR-4.3/170-260GHz/20dBi Typ, Gain

Model:TL-4SHA20

TL-4SHA20 is a standard gain horn antenna that operates from 170 GHz to 260 GHz. The antenna offers 20 dBi nominal gain. The input of this antenna is a WR-4.3 waveguide with UG-387/U-M anti-cocking flange. The standard gain horn is offered for antenna range calibration purpose mainly, but it can be also used for general purpose system set ups.

Features:

- Operating Frequency 170 to 260 GHz
- Gain: 20dBi Typ
- Linear Polarization
- Good Impedance Match

Applications:

- Antenna Ranges
- Antenna Gain Measurements
- System Setups

Electrical Characteristics:

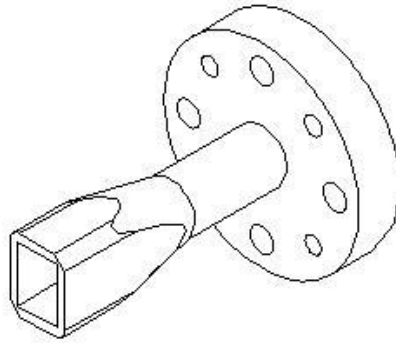
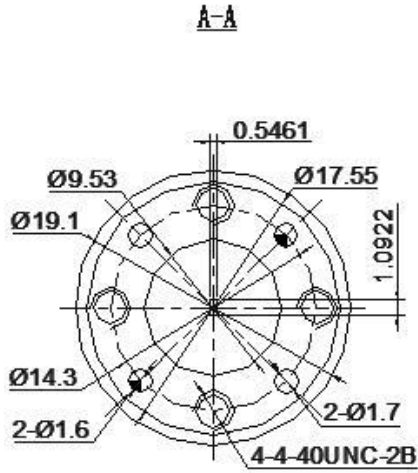
Parameter	Min	Typ	Max	Units
Frequency Range	170		260	GHz
Gain		20		dBi
Polarization mode	Linear			
Input VSWR			1.15	:1
Output mode	APF			
3dB Antenna Beamwidth		10		°

Environmental And Physical Characteristics:

Description	Parameter	Units
Material	Brass	
Connectors	WR-4.3/UG-387/U	
Size	ø19.1*24.6	mm
Weight	20	g

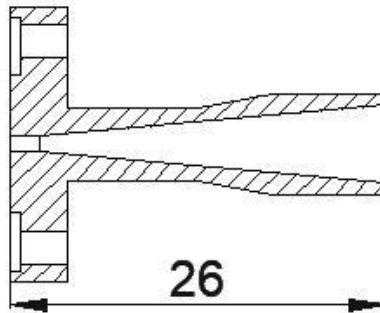
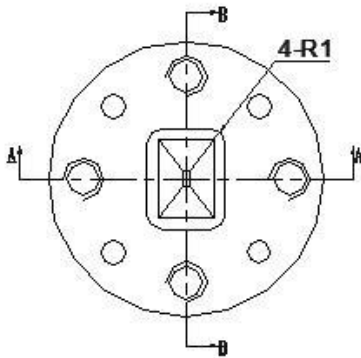
Outline Drawing:

Unit:mm



horn-20 WR4,

B-B 增益20dB



ESD Protection: Strictly adhere to ESD precautions to prevent electrostatic damage.

Ordering Information:

Base Number	Description	Revision
TL-4SHA20	Standard Gain Horn Antenna, 170-260GHz, Gain: 20dBi Typ.	Rev.1.0