

Dual Ridged Horn Antenna

SMA Female/6-18GHz/14.5 dBi Min, Gain

Model:TL-60180HA20S-T1

Features:

- Operating Frequency 6 to 18 GHz
- Gain: 14.5 dBi Min
- Linear Polarization

Applications:

- Radar Systems
- Communication Systems

Electrical Characteristics:

Parameter	Min	Typ	Max	Units
Frequency Range	6		18	GHz
Gain	14.5		25	dBi
Input VSWR			2	:1
Average Power		25		W

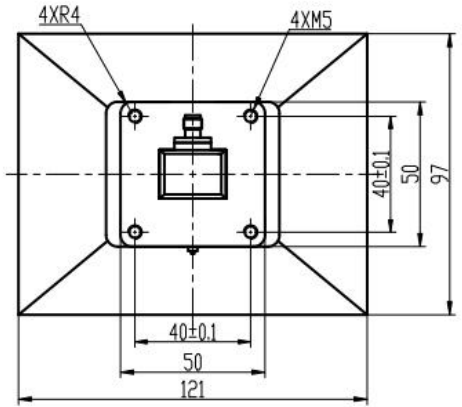
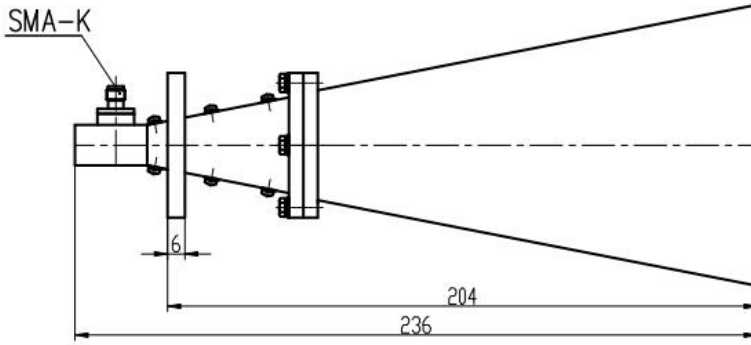
Physical Characteristics:

Description	Parameter	Units
Material	Al	
Finish	Conductive oxidation,Spray sea gray paint	
Connectors	SMA Female	
Size	236*121*97	mm

Outline Drawing:

Unit:mm

Regulatory Compliance:



Ordering Information:

Base Number	Description	Revision
TL-60180HA20S	Dual Ridged Horn Antenna, 6-18GHz, Gain: 14.5 dBi Min, SMA Female	Rev.1.1