

**Model:TL-180400HA16K**

**Broadband Horn Antenna  
18-40GHz, Gain:16 dB,Min**

**Feature:**

- Ultra Wide Band: 18-40 GHz
- Gain: 16dB Min
- Ideal for Antenna Measurements
- Broadband Operation,Linear Polarization,Small Size

**Electrical Specifications:**

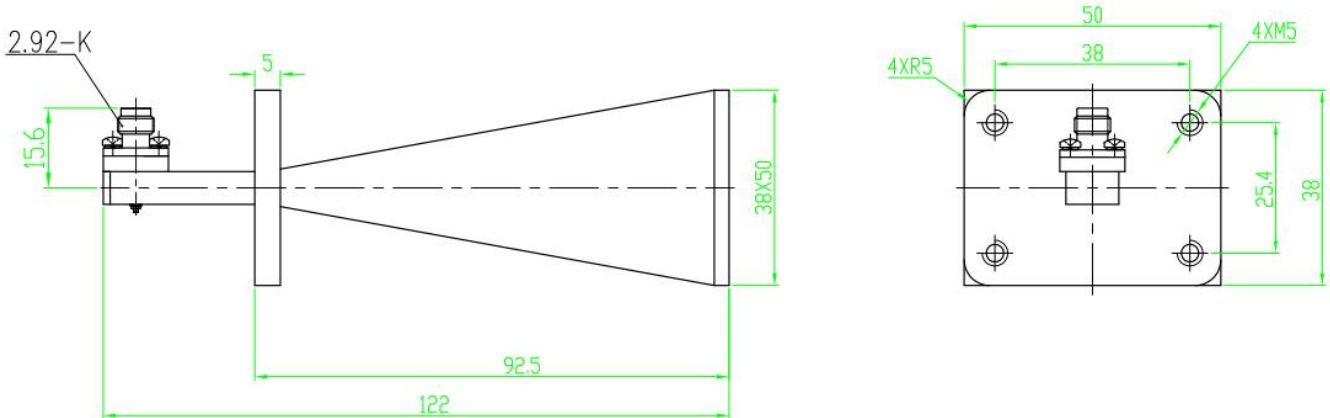
Parameter	Min	Typ	Max	Units
Frequency range	18-40			GHz
Gain	16			dB
Input VSWR			2.5	:1

**Mechanical Specifications:**

Parameter	Value	Units
Connector	2.92mm Female	
Material	Copper	
Finish	Silver plating	
Size	122*50*38	mm

**Outline Drawing:**

Unit: mm



**Ordering Information:**

Part Number	Description	Revision
TL180400HA16K	Broadband Horn Antenna, 18-40GHz,Gain: 16 dBm Min.	Rev.1.1