

## Broadband Horn Antenna

### N Female/2-4GHz/15dBi Typ, Gain

**Model:TL-2040DRHA15N**

TL-2040DRHA15N is a broadband horn antenna that operates from 2 GHz to 4 GHz. The antenna offers 15 dBi nominal gain. The input of this antenna configuration offers coax adapter structure with N female. The standard gain horn is offered for antenna range calibration purpose mainly, but it can be also used for general purpose system set ups.

#### Features:

- Operating Frequency 2 to 4 GHz
- Gain: 15dBi Typ
- Good Impedance Match

#### Applications:

- Antenna Ranges
- Antenna Gain Measurements
- System Setups

#### Electrical Characteristics:

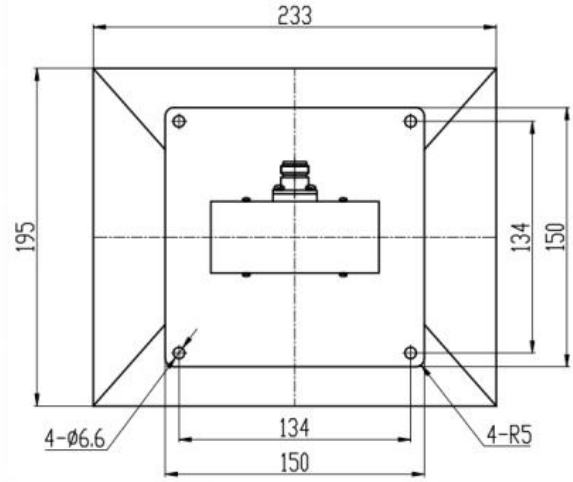
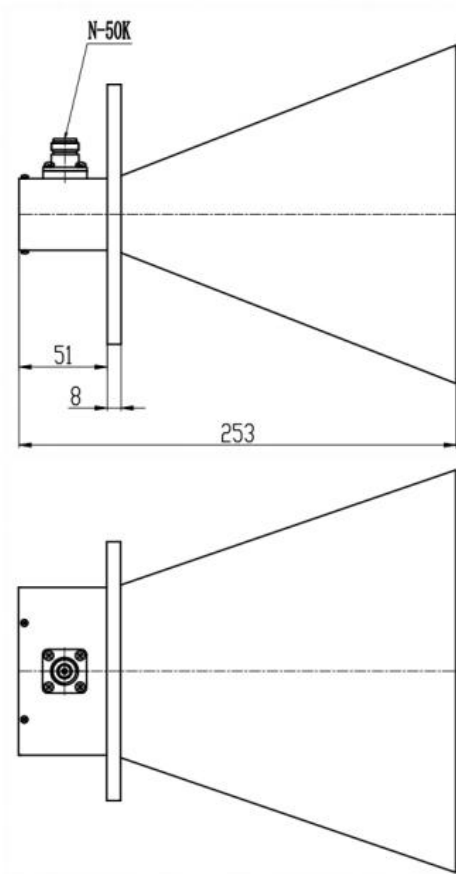

Parameter	Min	Typ	Max	Units
Frequency Range	2		4	GHz
Gain		15		dBi
Input VSWR			1.5	:1
Power Handling		200		W

#### Environmental And Physical Characteristics:

Description	Parameter	Units
Material	Aluminium	
Finish	Conductive oxidation,spray sea gray paint	
Connectors	N Female	
Size	233*195*253	mm

**Outline Drawing:**

Unit:mm

ESD Protection: Strictly adhere to ESD precautions to prevent electrostatic damage.

**Ordering Information:**

Base Number	Description	Revision
TL-2040DRHA15N	Broadband Horn Antenna, 2-4GHz, Gain: 15dBi Typ.	Rev.1.0