

Dual Ridged Horn Antenna

N Female/0.7-18GHz/10dBi Typ, Gain

Model:TL-07180DRHA10N

TL-07180DRHA10N is a dual ridged horn antenna, its operating frequency range from 0.7 GHz to 18 GHz. It provides a nominal gain of 10 dB. At the center frequency, the 3 dB beamwidth on the E plane is 38.5 degrees, and on the H plane is 31.4 degrees. The antenna supports linear polarization. The input port configuration offers coax adapter structure with N female.

Features:

- Operating Frequency 0.7 to 18GHz
- Gain: 10dBi Typ
- Linear Polarization

Applications:

- Radar Systems
- Communication Systems

Electrical Characteristics:

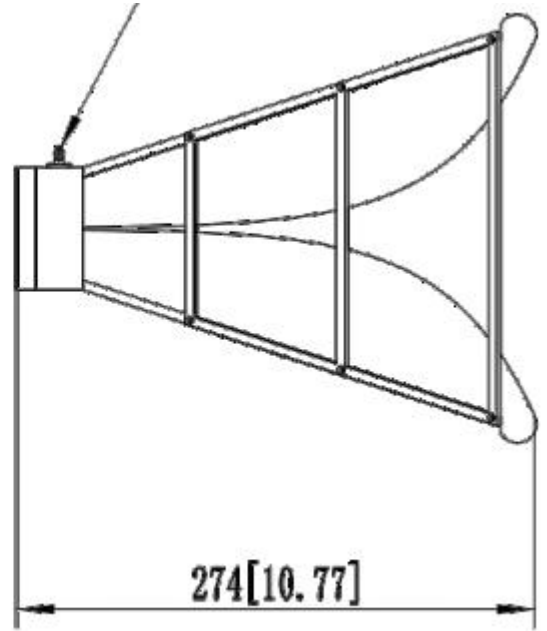
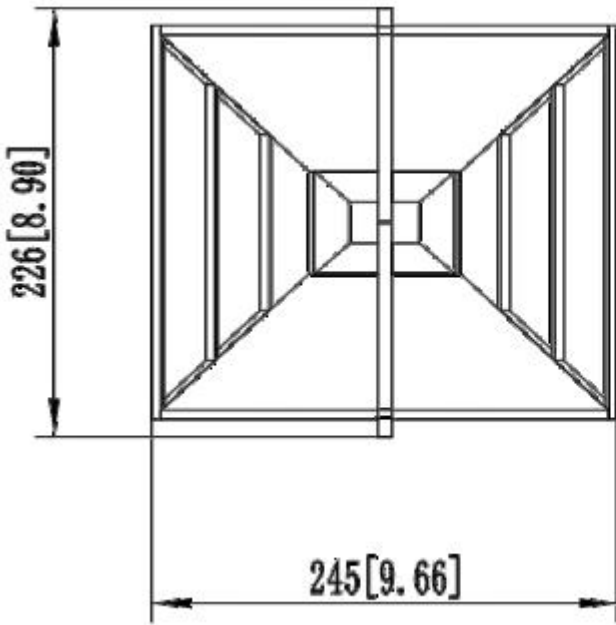

| Parameter | Min | Typ | Max | Units |
|-------------------|-----|------------------|-----|-------|
| Frequency Range | 0.7 | | 18 | GHz |
| Gain | | 10 | | dBi |
| Input VSWR | | | 2.5 | :1 |
| Beamwidth | | E: 38.5; H: 31.4 | | ° |
| Polarization mode | | Linear | | |

Physical Characteristics:

| Description | Parameter | Units |
|-----------------------|--|-------|
| Operating Temperature | -40~+85 | °C |
| Material | Aluminium | |
| Finish | True color conductive oxidation, spray paint | |
| Connectors | N Female | |
| Size | 274*245*226 | mm |
| Weight | 2.35 | Kg |

Outline Drawing:

Unit:mm; Tolerance:±0.1mm

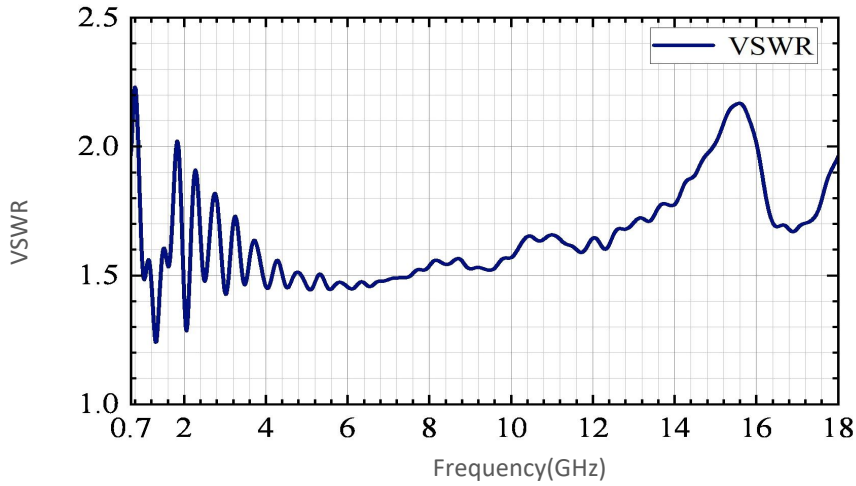
ESD Protection: Strictly adhere to ESD precautions to prevent electrostatic damage.

Ordering Information:

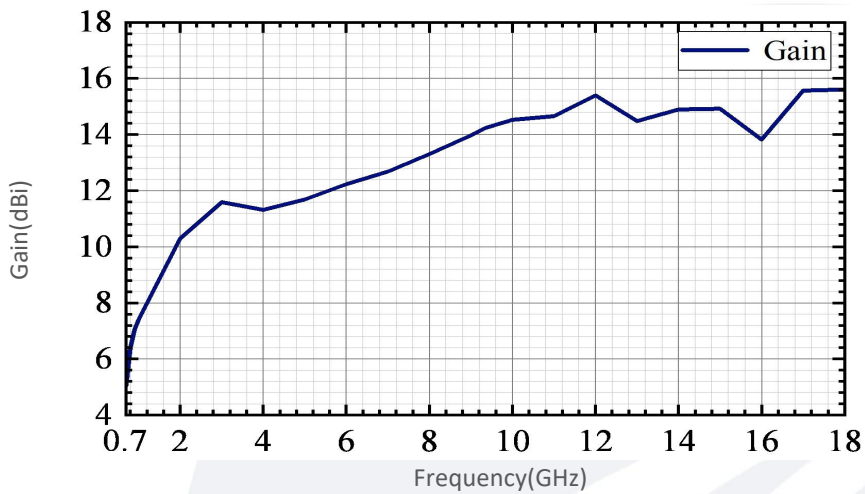
| Base Number | Description | Revision |
|-----------------|--|----------|
| TL-07180DRHA10N | Dual Ridged Horn Antenna, 0.7-18GHz,Gain: 10dBi Typ, N Female | Rev.1.0 |

Typical Performance Data:

VSWR vs Frequency

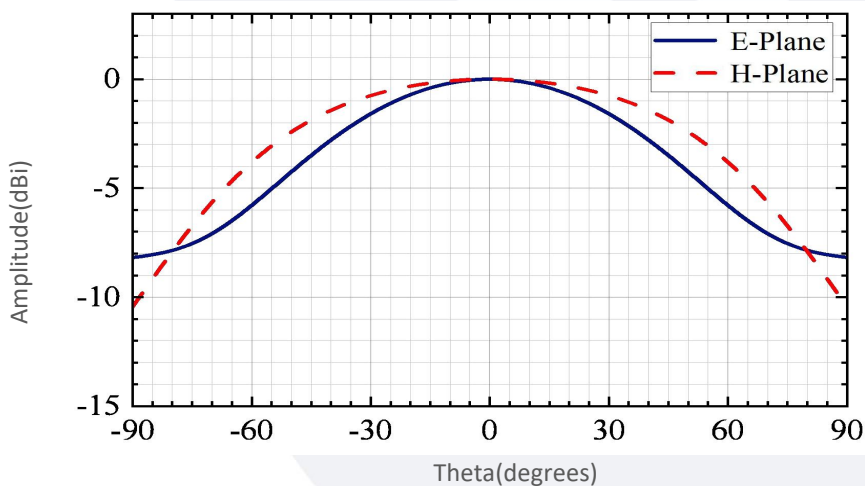


Gain vs Frequency



0.7GHz:

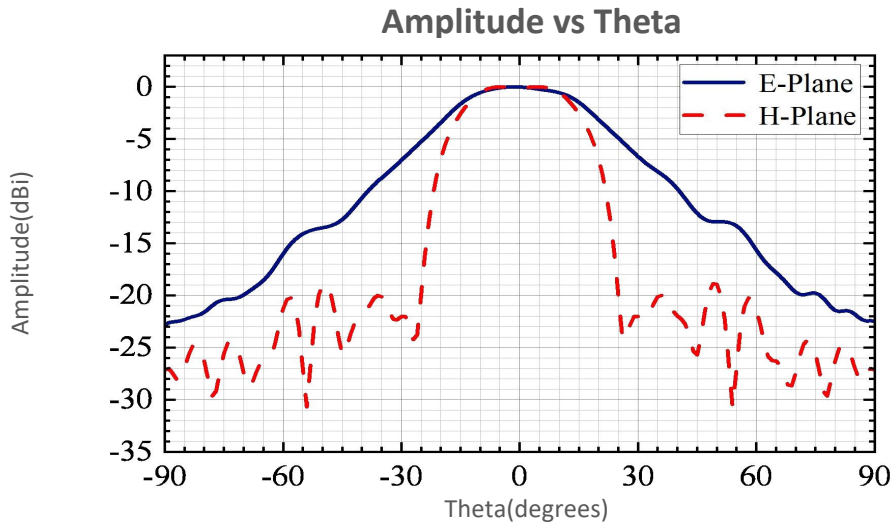
Amplitude vs Theta



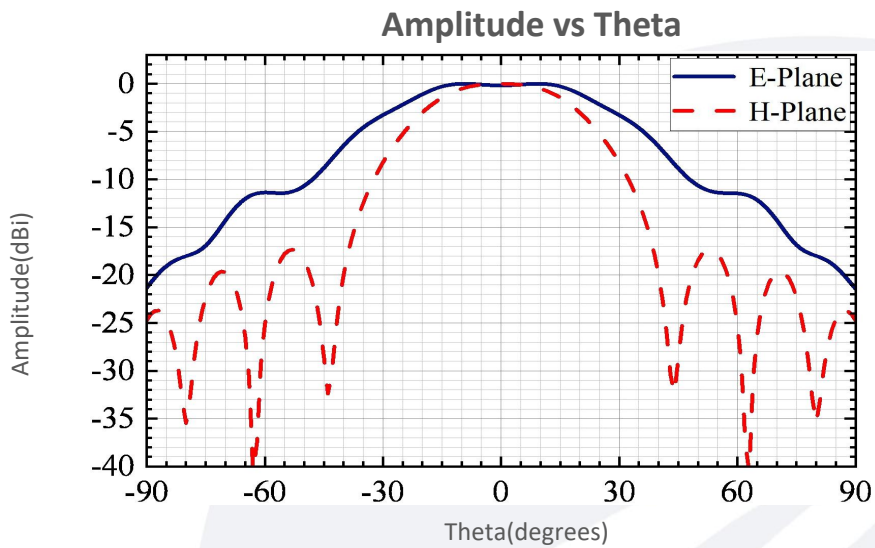
Note: Above data is for ref only, actual data may vary from unit to unit depending on operating environment and other factors like material lots etc.

Typical Performance Data:

9.35GHz:



18GHz:



Note: Above data is for ref only, actual data may vary from unit to unit depending on operating environment and other factors like material lots etc.