

## E-band Phase Noise Analyzer Down-converter

50-90GHz/WR-12

Model: TLPNA-050090-06-12

TLPNA-050090-06-12 phase noise analyzer (PNA) down-converter is a dedicated Test & Measurement solution for extending the range of the microwave PNA to perform the phase noise to 50-90GHz.

### Features:

- Frequency range: 50-90GHz
- Conversion Gain: 10dB Typ
- Low conversion loss

### Applications:

- Frequency Extension
- Antenna measurements
- Material characterisation

### Electrical Characteristics:

Parameter	Min	Typ	Max	Units
Frequency range	50		90	GHz
IF Output Frequency	0.01		1.6	GHz
LO Input Frequency	8.33		15	GHz
LO Input Power	3	5	10	dBm
Conversion Gain		10		dB
Multiplication Factor		6		
P1dB RF Input P1dB			-2	dBm
Harmonic Suppression		-20		dB

### Mechanical Specifications:

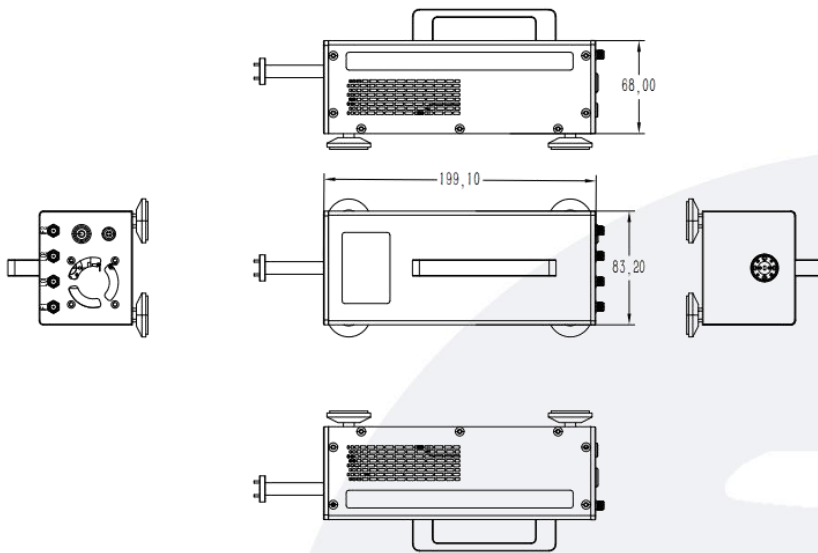
Description	Parameter	Units
RF Input Ports	WR-12/UG-387/U	
LO/IF Ports	SMA Female	
LO Input Ports	SMA Female	
Power Supply Pin	FGG 0B 4 Core	
Size	199.1*83.2*68	mm

### Absolute Maximum Ratings :

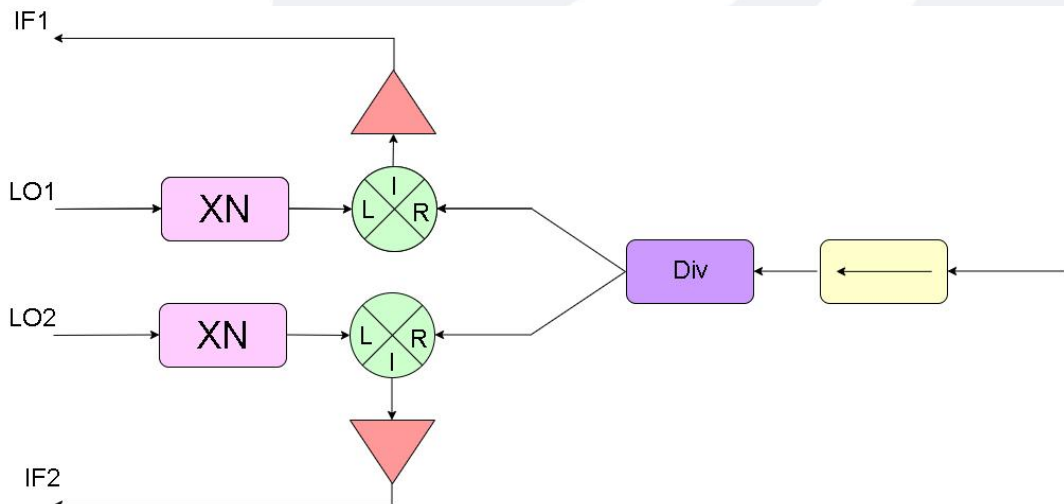
Parameter	Value
Supply Bias Voltage	+240 V AC
RF Input Power	-2 dBm
ESD sensitivity (HBm)	Class 0, passed 150V

### Outline Drawing:

Unit:mm



### Block Diagrams:



### Environmental And Physical Characteristics:

Parameter	Min	Typ	Max	Units
Operating Temperature	-10		+65	°C
Non-operating Temperature	-45		+85	°C
Relative humidity		95		%
Altitude	10,000			feet
Shock / Vibration(MIL-STD-810F)	25g rms (15 degree 2KHz) endurance, 1 hour per axis			
Shock(non operating)	20G for 11msc half sin wave,3 axis both directions			

### Ordering Information:

Part Number	Description	Revision
TLPAN-050090-06-12	E-band Phase Noise Analyzer Down-converter X6,50-90GHz, Conversion Gain: 10dB typ.	Rev.1.1

### 随货配件 Components Included:

Part Number	Description	Quantity
TFACTDC-22012	AC-to-DC Power Adapter	1 PCS