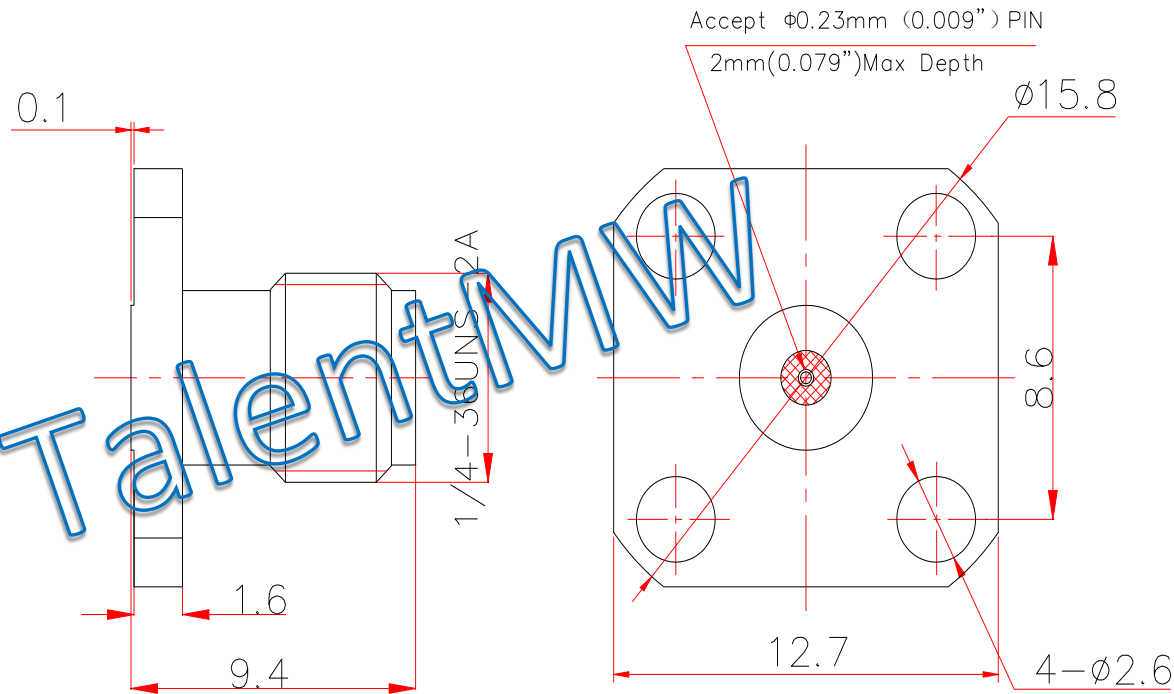


TalentMw



Electrical & Environmental Characteristics

| | |
|---------------------------------|------------------------------|
| Impedance | 50 Ohm |
| Insulation Resistance | 5000 MΩ |
| Operating Frequency | 26.5GHz |
| Dielectric Withstanding Voltage | 1000 V |
| VSWR | 1.15 |
| Insertion Loss | $0.05 * \text{Sqrt}(f_GHz)$ |
| Operating Temperature | -55~+165°C |

Material & Coat-Plating

| | |
|-----------------|-----------------------------|
| Inner Conductor | Beryllium Copper, Gold |
| Dielectric | PTFE |
| Body | Stainless Steel, Passivated |
| Coupling Nut | N/A |

| | | | | | | | |
|---------------------------------------|--|------------------|--|--------------------|------------|--------------|-------|
| THIS DRAWING IS A CONTROLLED DOCUMENT | | DWN | Suzhou Talent Microwave, Inc | | | | |
| | | CHK | | | | | |
| Unit mm | TOLERANCES UNLESS OTHERWISE SPECIFIED 0 PLC ±0.25 1 PLC ±0.15 2 PLC ±0.12 3 PLC ± 3 PLC ± ANGLES ±1° | APVD | Product Mode SMA-KFD80109 SMA Female Flange Connector | | | | |
| | | PRODUCT SPEC | | | | | |
| | | APPLICATION SPEC | | | | | |
| MATERIAL SEE TABLE | FINISH SEE TABLE | WEIGHT | SIZE A4 | GAGE CODE 0T8L4 | DRAWING NO | | |
| | | CUSTOMER DRAWING | | SCALE 4: 1 | SCALE 4: 1 | SHEET 1 OF 1 | RVE 1 |