

## Miniature Switch Matrix

DC-40GHz/SP6T/2.92mm Female/USB&LAN

Model: TLRS-1R16-40NU-K-UL

### Features:

- Frequency range: DC-40GHz
- USB&LAN Controlled
- Low Insertion Loss and High Isolation
- Customization available upon request

### Applications:

- Device Testing
- Automatic Test Equipment

### 电气特性 Electrical Characteristics:

参数 Parameter		Min	Typ	Max	单位 Units
频率范围 Frequency range		DC		40	GHz
插损 Insertion Loss	DC~6GHz			0.3	dB
	6~12GHz			0.4	
	12~18GHz			0.5	
	18~26.5GHz			0.8	
	26.5~40GHz			1.3	
隔离 Isolation	DC~6GHz	70			dB
	6~18GHz	60			
	18~26.5GHz	55			
	26.5~40GHz	50			
驻波 VSWR	DC~6GHz			1.3	:1
	6~12GHz			1.4	
	12~18GHz			1.5	
	18~26.5GHz			1.9	
	26.5~40GHz			2	
耐功率 Power Handling	DC~6GHz			80	W
	6~12GHz			50	
	12~18GHz			45	
	18~26.5GHz			15	
	26.5~40GHz			8	
阻抗 Impedance		50			Ohms

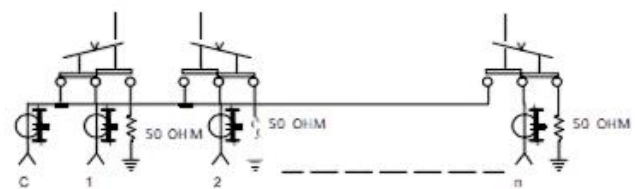
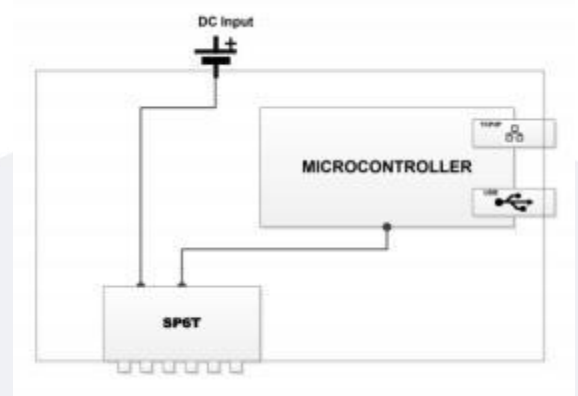
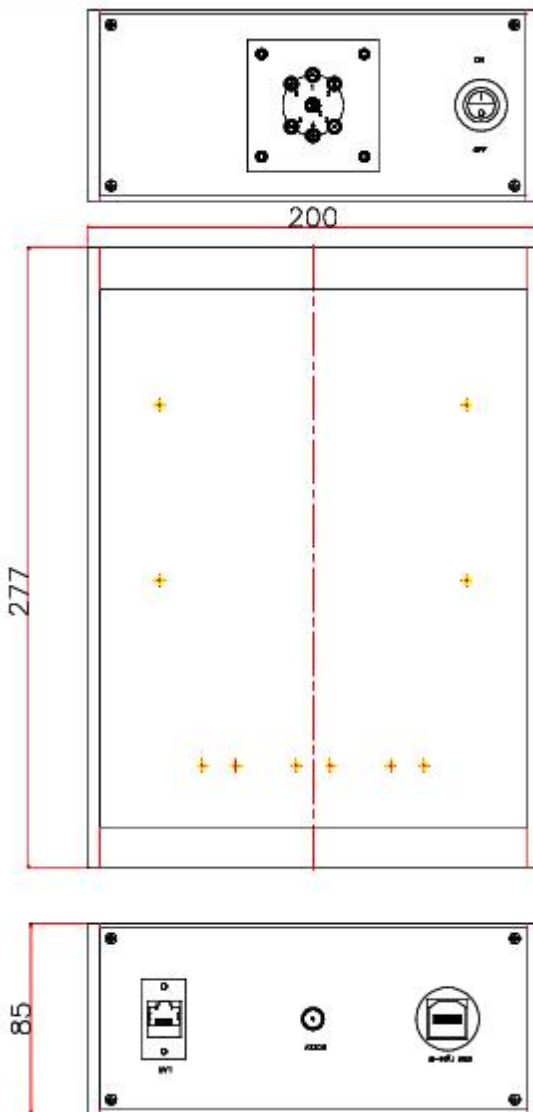
## 机械特性 Mechanical Specifications:

描述 Description	参数 Parameter	单位 Units
RF接口 RF Connector	2.92mm Female	
供电接口 Power Supply interface	Center positive DC Socket	
控制接口 Control interface	USB type-B and RJ45	
开关寿命 Standard Actuator Life	≥2 million	
开关顺序 Switch Sequence	Break before make	

## 外形图 Outline Drawing:

Unit:mm

## 原理图 Schematic:



Normally open (all port disconnected)  
Internal terminations on ports J1-J6)



## 温度环境 Environmental Conditions:

参数 Parameter	Min	Typ	Max	单位 Units
操作温度 Operating Temperature	-25		+65	°C
震动 Shock / Vibration(MIL-STD-810F)	10G RMS, 20-2000Hz			
冲击 Shock(non operating)	50G, 1/2Sine, 12msec			

## 订货信息 Ordering Information:

标准型号 Base Number	描述 Description	版本号 Revision
TLRS-1R13-40NU-K-UL	SP3T Switch Matrix ,DC to 40 GHz, 2.92mm,USB&LAN Controlled	Rev.1.0
TLRS-1R14-40NU-K-UL	SP4T Switch Matrix ,DC to 40 GHz, 2.92mm,USB&LAN Controlled	Rev.1.0
TLRS-1R15-40NU-K-UL	SP5T Switch Matrix ,DC to 40 GHz, 2.92mm,USB&LAN Controlled	Rev.1.0
TLRS-1R16-40NU-K-UL	SP6T Switch Matrix ,DC to 40 GHz, 2.92mm,USB&LAN Controlled	Rev.1.0

## 随货配件 Included Accessories:

标准型号 Base Number	描述 Description	数量 Quantity
	AC/DC 12VDC Grounded Power Adaptor.	1 Pcs
	Operation Manual	1 Pcs