

SP6T Coaxial Switches

R16-CN12005-D , Coaxial Switches , 1P6T , SC , Normally Open , 12VDC , NO TTL , DC to 5 GHz , DSUB-15

R16-CN24005-D , Coaxial Switches , 1P6T , SC , Normally Open , 24VDC , NO TTL , DC to 5 GHz , DSUB-15

R16-CN28005-D , Coaxial Switches , 1P6T , SC , Normally Open , 28VDC , NO TTL , DC to 5 GHz , DSUB-15

电气参数 Electrical Characteristics:

参数Parameter	条件Condition
频率范围 Frequency range	DC-5GHz
阻抗 Impedance	50 Ω
开关模式 Operation mode	Normally open
开关顺序 Switch sequence	Break before make
切换时间 Switching time	15 ms max
机械寿命 Mechanical life	1 million min
额定电压 Rated voltage	12 24 28 VDC
工作电流 Operating current at 23 $^{\circ}$ C	240 140 120 mA



射频特性 RF Specifications:

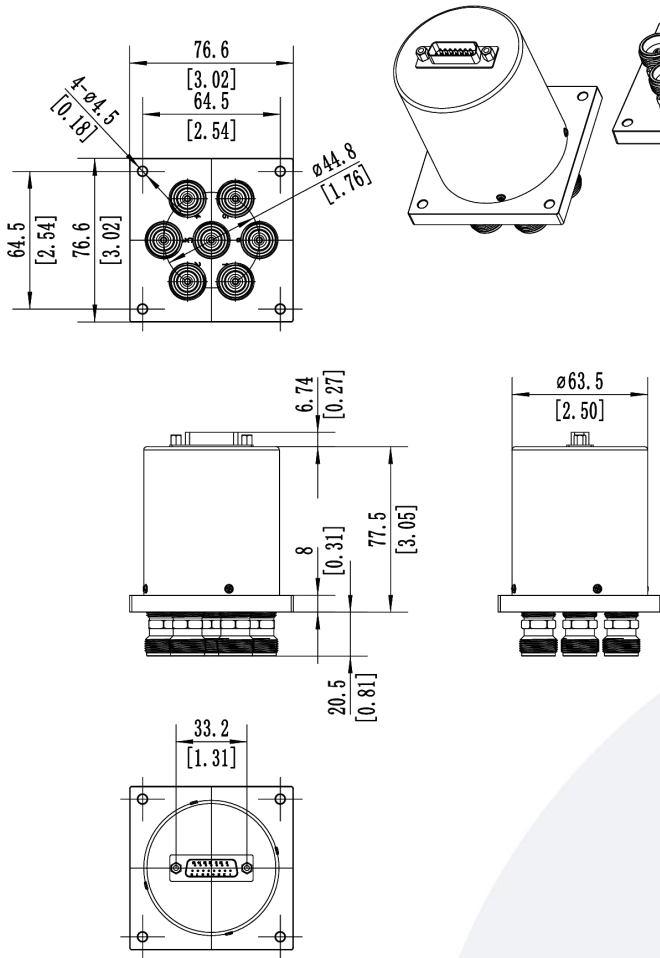
频率范围 FREQUENCY RANGE(GHz)	DC-4	4-5
插入损耗 INSERTION LOSS (MAX) dB	0.3	0.4
隔离度 ISOLATION (MIN) dB	70	60
电压驻波比 V.S.W.R. (MAX)	1.25:1	1.45:1

环境和物理特性 Environmental And Physical Characteristics:

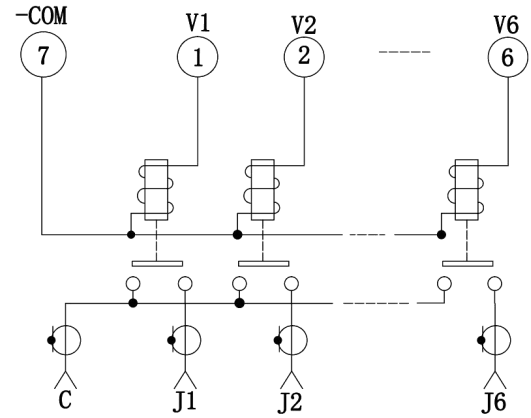
参数Parameter	条件 Condition
工作温度范围 Operating temperature range	-25 $^{\circ}$ C to +65 $^{\circ}$ C(Standard) -55 $^{\circ}$ C to +85 $^{\circ}$ C(Optional)
振动 Sine vibration(Operating)	20-2000Hz , 10g
冲击 Shocks(Non Operating)	50g / 11ms, 1/2 sine
射频接口 RF Connector type	SC Female
控制接口 Control connector	D-SUB 15Pin male
重量 Weight	580g Max
外壳颜色 Hosing color	浅蓝色 Light Blue

备注: 如果客户需要其他外壳颜色, 请联系业务备注

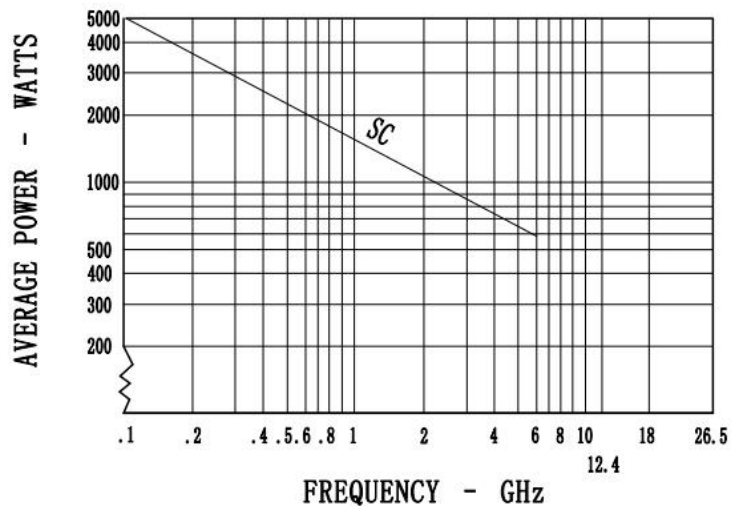
外形尺寸 Outline Drawing: Unit: mm



原理图 Schematic:



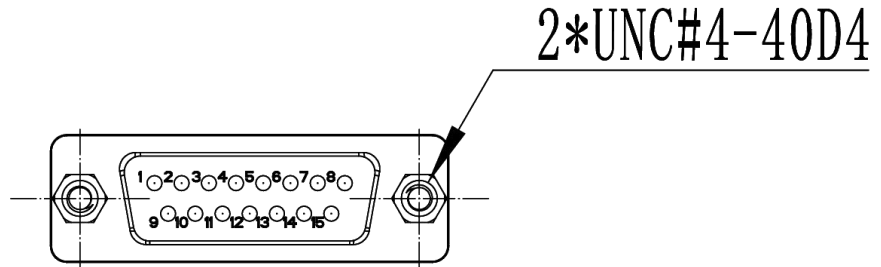
功率曲线图 Average power:



This graph is based on the following conditions:

- Ambient temperature: + 25 °C
- Sea level
- V.S.W.R.: 1 and cold switching

针脚定义 Pin Definition:



DB15 Male

15 PIN D-SUB		RF Connect Used
Pin NO.	Function	SP6T
1	V1	1
2	V2	2
3	V3	3
4	V4	4
5	V5	5
6	V6	6
7	-COM	
8-15	UNUSED	

标准型号 Part Number:

标准型号 Part Number	额定电压 Rated Voltage	可选项 Option
1P6T		
R16-CN12005-D	12VDC	-S
R16-CN24005-D	24VDC	例如:R16-CN28005-D
R16-CN28005-D	28VDC	(备注, S型号满足IP65)