

Model:TMPM-110170-0208-06

**Passive Frequency Tripler
X2,75-110 GHz,8 dBm Output Power**

Feature:

- Output Frequency:110-170 GHz
- Output Power:8dBm Typ
- Compactness,High Power&Efficiency

电气特性 Electrical Specifications:

参数 Parameter	Min	Typ	Max	单位 Units
输出频率 Output Frequency	110		170	GHz
输入频率 Input Frequency	55		85	GHz
输出功率 Output Power		8		dBm
输入功率 Input Power		23	24	dBm
倍频次数 Multiply Factor		2		
谐波 Harmonic		-20		dBc

机械特性 Mechanical Specifications:

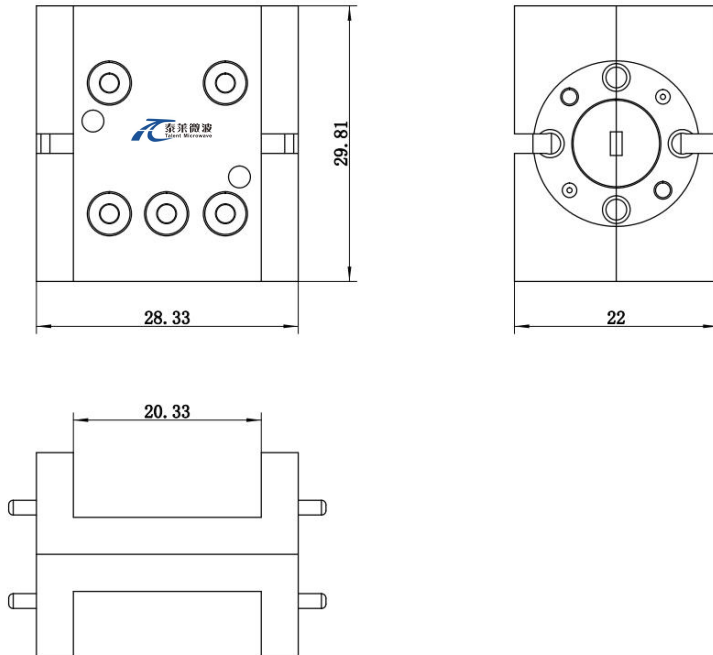
参数 Parameter	指标 Value	单位 Units
输出接口 Output Connector	WR-6.5/UG-387/U	
输入接口 Input Connector	WR-12/UG-387/U	
馈电 Feed	SMA Female	
材质 Material	Aldary	
表面处理 Finish	Gold plating	
尺寸 Size	29.81*28.33*22	mm

绝对最大值 Absolute Maximum Ratings:

参数 Parameter	指标 Value
输入功率 RF Input Power	24 dBm
ESD灵敏度 ESD sensitivity (HBm)	Class 0, passed 150V

外形尺寸 Outline Drawing:

Unit: mm



OBSERVE PRECAUTIONS
ELECTROSTATIC SENSITIVE
DEVICES

温度环境 Environmental Conditions:

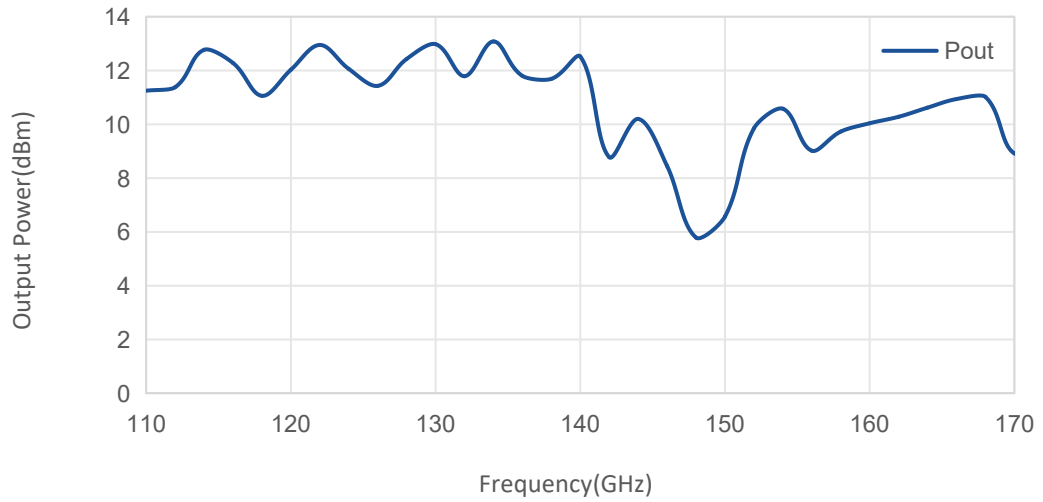
参数 Parameter	Min	Typ	Max	单位 Units
操作温度 Operating Temperature	-10		+65	°C
存储温度 Non-operating Temperature	-25		+75	°C
相对湿度 Relative humidity		95		%
海拔 Altitude	10,000			feet
震动 Shock / Vibration(MIL-STD-810F)	25g rms (15 degree 2KHz) endurance, 1 hour per axis			
冲击 Shock(non operating)	20G for 11msc half sin wave,3 axis both directions			

订货信息 Ordering Information:

标准型号 Part Number	描述 Description	版本号 Revision
TMPM-110170-0208-06	Passive Frequency Tripler X2,110-170GHz, 8dBm Output Power,WR-6.5	Rev.1.1

典型曲线 Typical Performance Data:

Output Power vs Frequency



Note: Above data is for ref only, actual data may vary from unit to unit depending on operating environment and other factors like material lots etc.